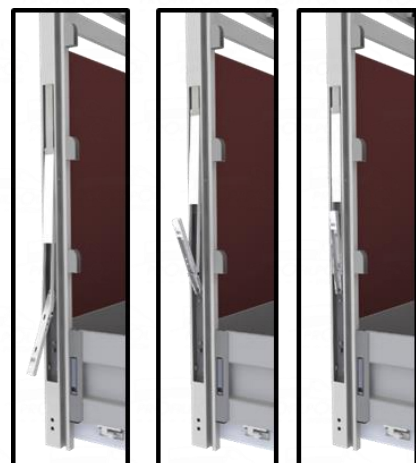
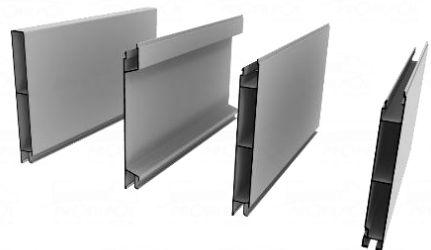
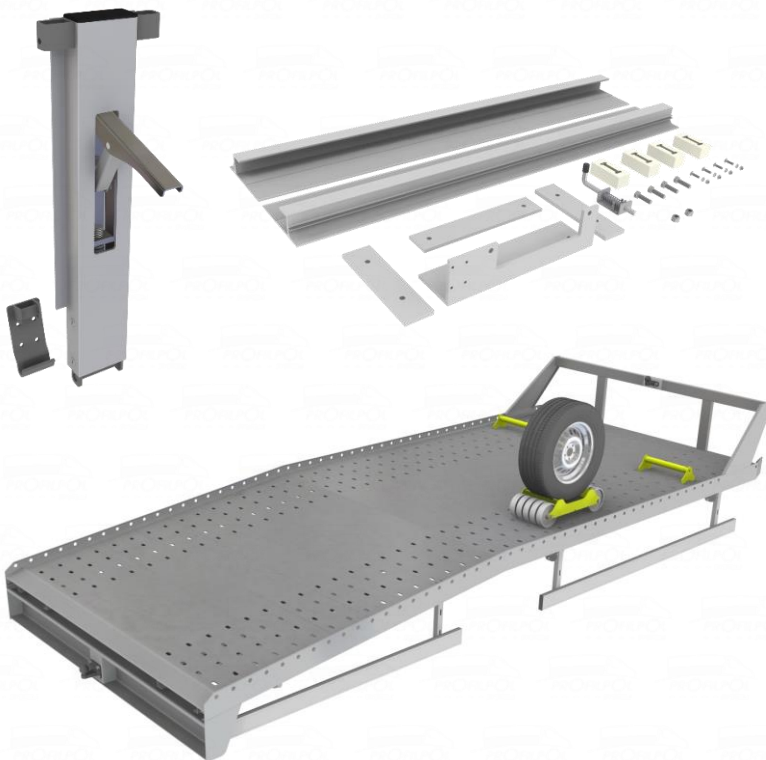
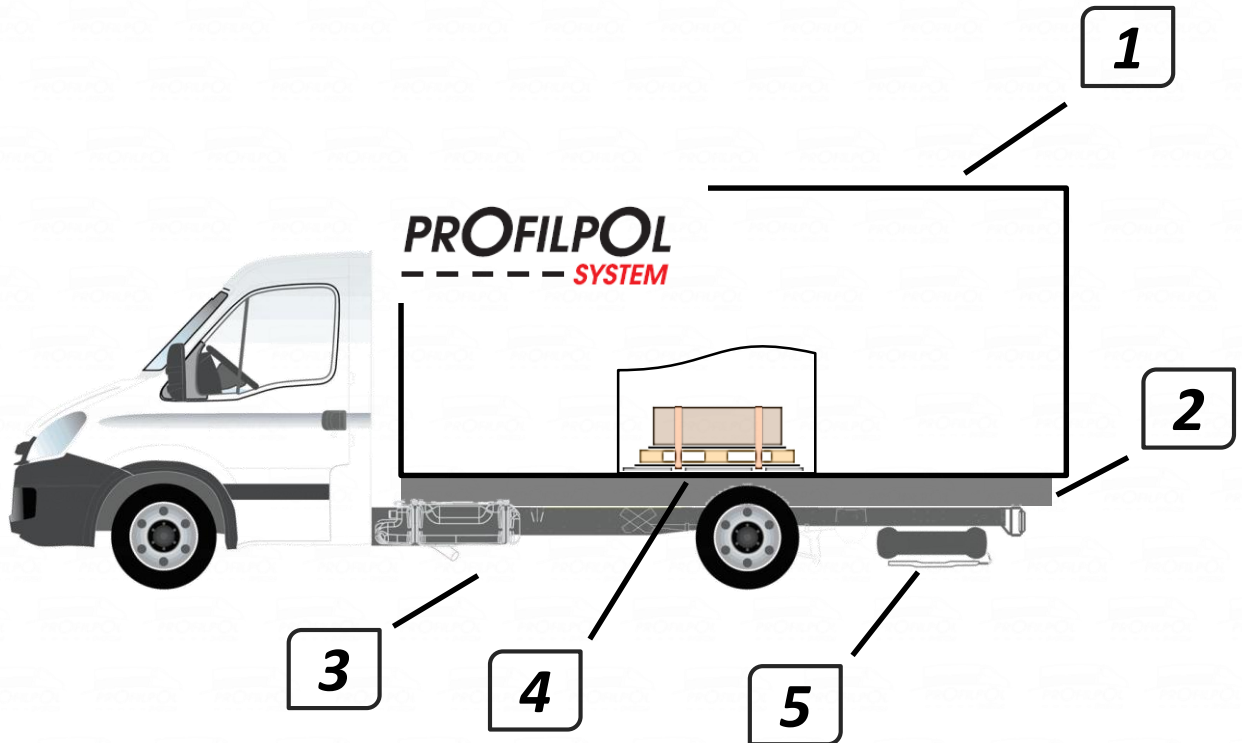


Products Catalog 2019



production & sale
of profiles and components
for utility bodies

Overview of our products.



- 1 – bodies components**
- 2 – frame profiles**
- 3 – side guards**
- 4 – shoring components**
- 5 – accesories**



PROFILPOL
— — — SYSTEM

www.profilpolsystem.pl



OLESNO
ul. Częstochowska 20
46-300 Olesno



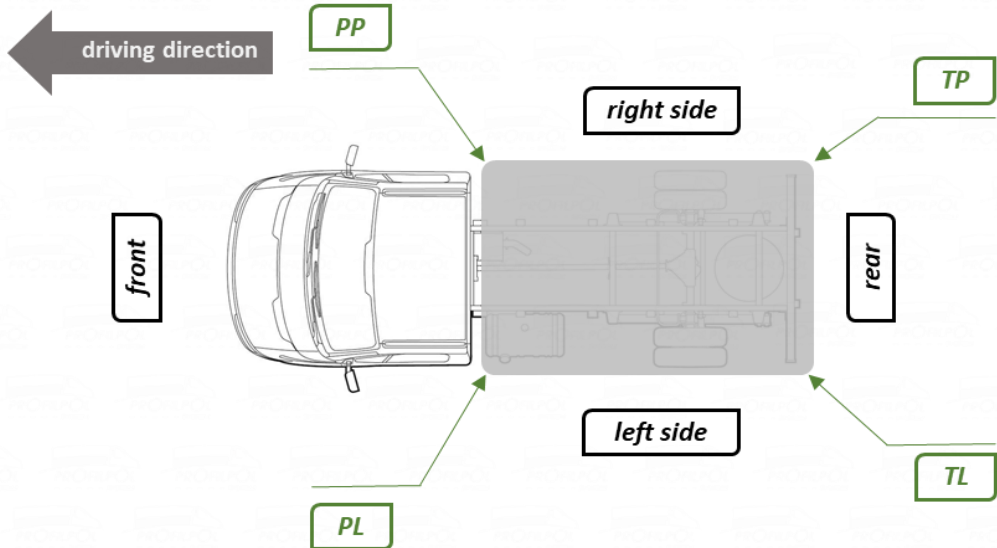
sprzedaz@profilpolsystem.pl



+48 883 335 994

| | | |
|-----|--|--------|
| | Explanations | s. 4 |
| 1. | Frames profiles, sideboards profiles | s. 5 |
| 2. | Frame profiles fixings | s. 17 |
| 3. | Sideboard - locks, - hinges, - pillars | s. 25 |
| 4. | Tarpaulin constructions, sliding roofs, CS pillars | s. 45 |
| 5. | Rear doors, door locks | s. 75 |
| 6. | Accesories for tippers | s. 81 |
| 7. | Box type bodies | s. 87 |
| 8. | Underrun protection, steps | s. 97 |
| 9. | Mudguards, mudflaps, tool boxes | s. 101 |
| 10. | Cargo securing systems | s. 107 |
| 11. | Cover caps, buffers, roll bumpers | s. 115 |
| 12. | Tarpaulin fixings, reflective tapes | s. 127 |
| 13. | Car transporters- profiles and accesories | s. 127 |
| 14. | Loading bridges | s. 143 |

Definition of the body directions



PP - front right corner

TP - rear right corner

PL - front left corner

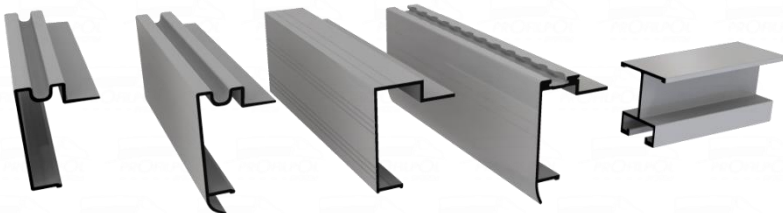
TL - rear left corner

Definition of the sideboards direction





1. Frames profiles, sideboards profiles



Subframe s.6

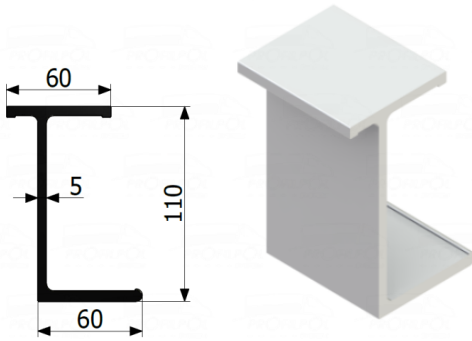
Perimetral profiles s. 8

Sideboards s. 11

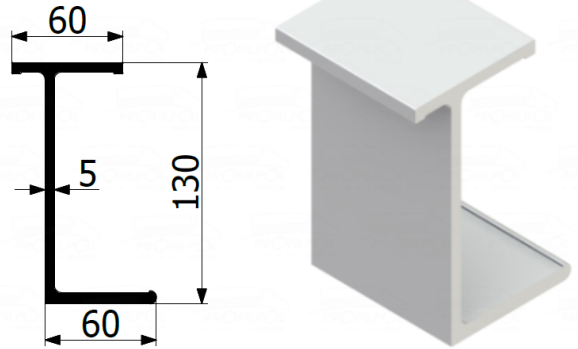
Subframe cover s. 16

Front wall s. 16

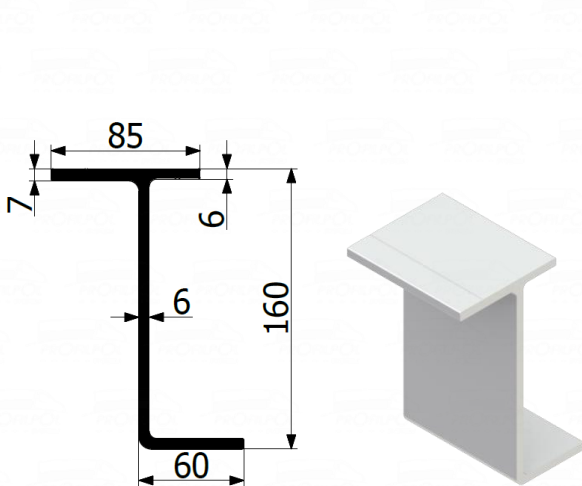
Subframe



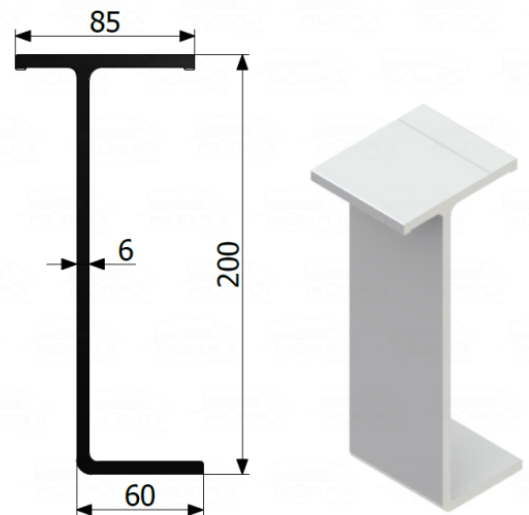
| Cat No | Designation | Weight |
|-----------|----------------------------|------------|
| 22.21.723 | Subframe profile 110 mm | 3,198 kg/m |
| Material: | Aluminum | L-* |



| Cat No | Designation | Weight |
|-----------|----------------------------|------------|
| 22.21.580 | Subframe profile 130 mm | 3,466 kg/m |
| Material: | Aluminum | L-* |

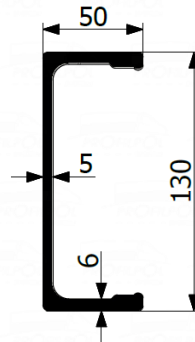
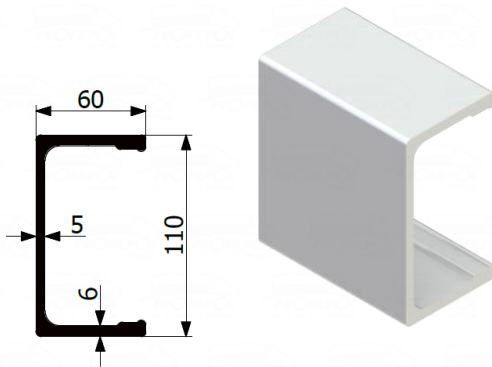


| Cat No | Designation | Weight |
|-----------|----------------------------|-------------|
| 22.21.008 | Subframe profile 160 mm | 4,887 kg/m |
| Material: | Aluminum | L- 5,0 m, * |



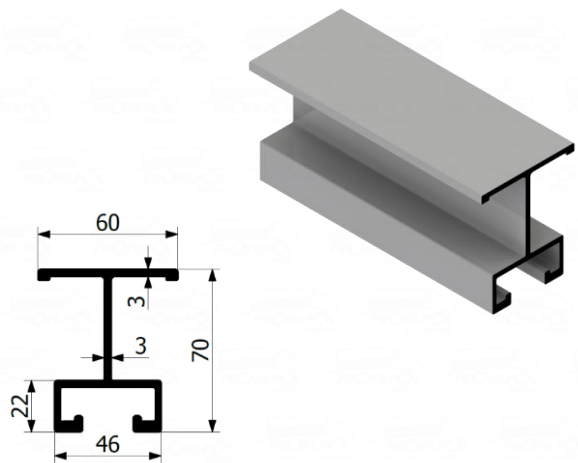
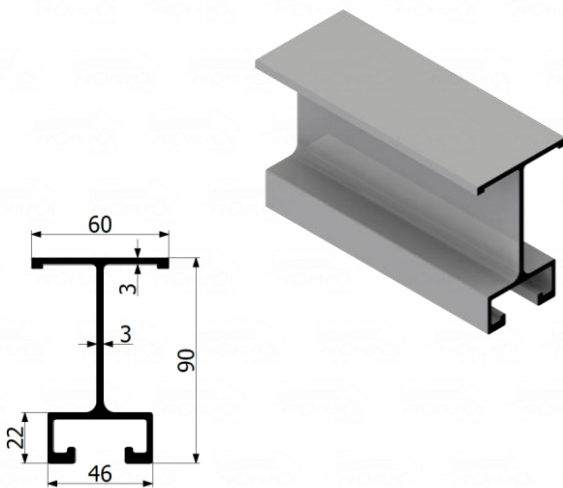
| Cat No | Designation | Weight |
|-----------|----------------------------|-------------|
| 22.21.974 | Subframe profile 200 mm | 5,428 kg/m |
| Material: | Aluminum | L- 5,0 m; * |

Subframe



| Cat No | Designation | Weight |
|-----------|----------------------------|------------|
| 22.21.770 | Subframe profile 110 mm | 3,496 kg/m |
| Material: | Aluminum | L-* |

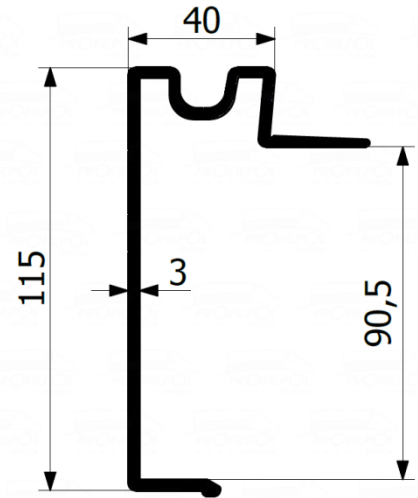
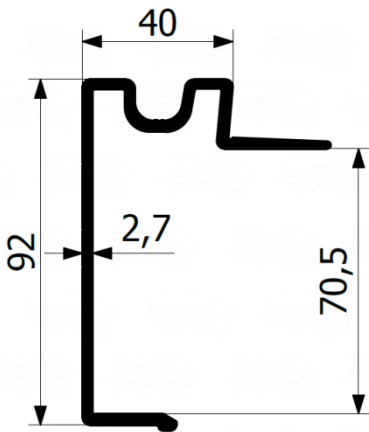
| Cat No | Designation | Weight |
|-----------|----------------------------|------------|
| 22.21.833 | Subframe profile 130 mm | 3,442 kg/m |
| Material: | Aluminum | L-* |



| Cat No | Designation | Weight |
|-----------|-------------------|------------|
| 22.21.292 | Crossbar 90 mm | 2,002 kg/m |
| Material: | Aluminum | L-5,0 m, * |

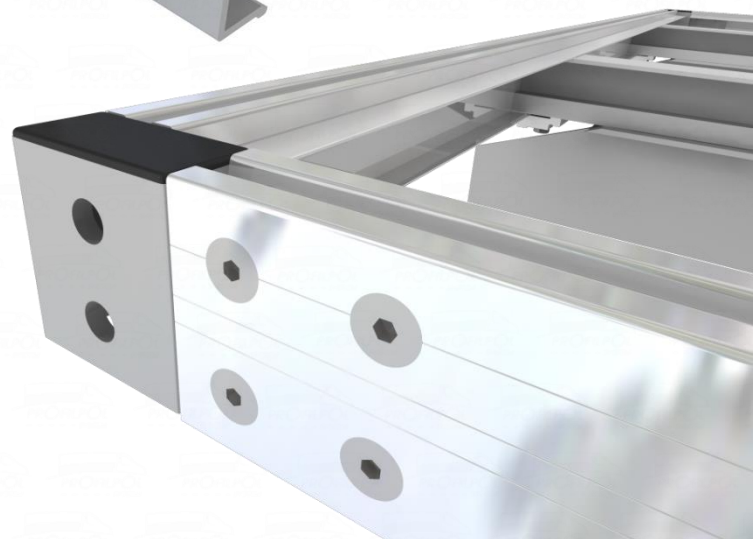
| Cat No | Designation | Weight |
|-----------|-------------------|------------|
| 22.21.480 | Crossbar 70 mm | 1,813 kg/m |
| Material: | Aluminum | L- 5,0m* |

Perimetral profiles

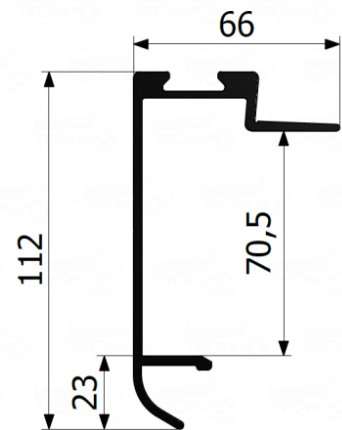
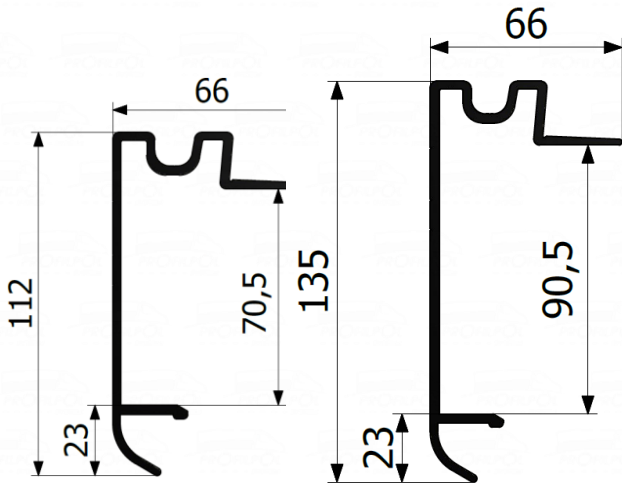


| Cat No | Designation | Weight |
|-----------|-----------------------------|-----------|
| 22.22.987 | Perimetral profile 70 mm | 1,56 kg/m |
| Material: | Anodized aluminum | L- 6,9 m |

| Cat No | Designation | Weight |
|-----------|-----------------------------|-----------|
| 22.22.887 | Perimetral profile 90 mm | 1,85 kg/m |
| Material: | Anodized aluminum | L- 6,9 m |

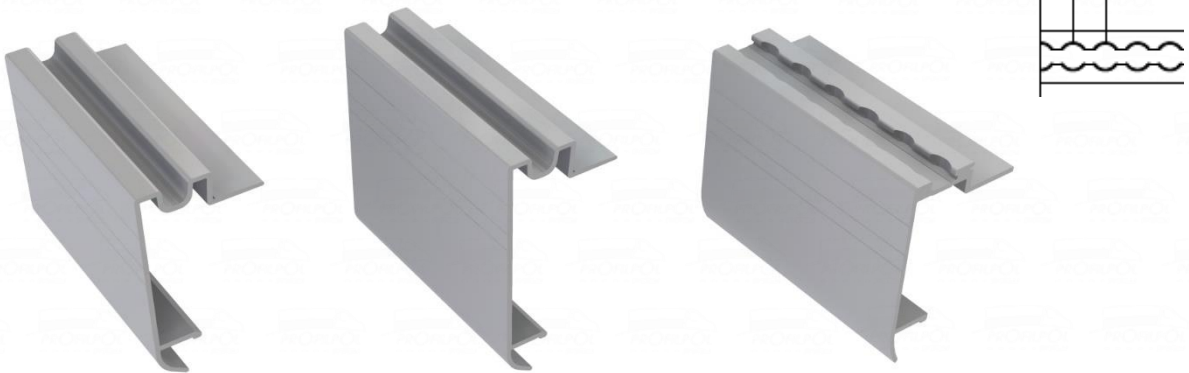


Perimetral profiles

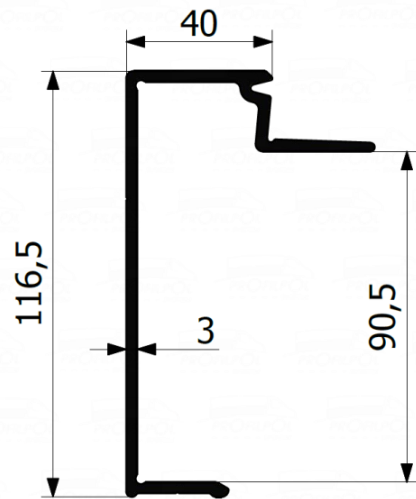
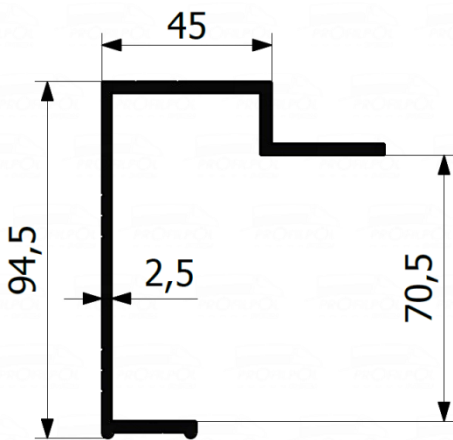


| Cat No | Designation | Weight |
|-----------|--------------------------|------------|
| 22.22.337 | Perimetral profile 70 mm | 1,745 kg/m |
| 22.22.437 | Perimetral profile 90 mm | 2,025 kg/m |
| Material: | Anodized aluminum | L- 6,9 m |

| Cat No | Designation | Weight |
|-----------|----------------------------------|----------------|
| 22.22.462 | Perimetral profile 70 mm Airline | 1,82 kg/m |
| Material: | Anodized aluminum | L- 5,2 m, 6,9m |

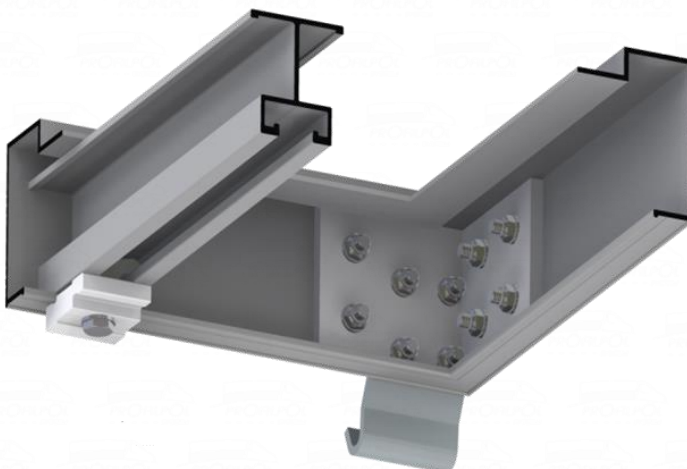


Perimetral profiles

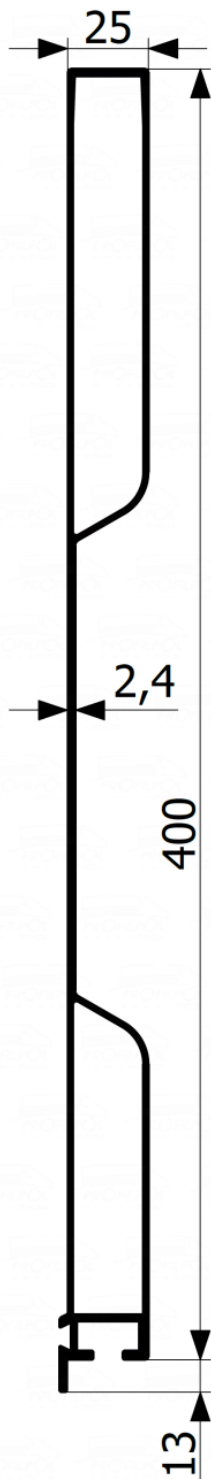


| Cat No | Designation | Weight |
|-----------|--------------------------|------------|
| 22.22.380 | Perimetral profile 70 mm | 1,542 kg/m |
| Material: | Anodized aluminum | L- 6,9 m |

| Cat No | Designation | Weight |
|-----------|--------------------------|------------|
| 22.22.092 | Perimetral profile 90 mm | 1,837 kg/m |
| Material: | Anodized aluminum | L- 5,2 m |



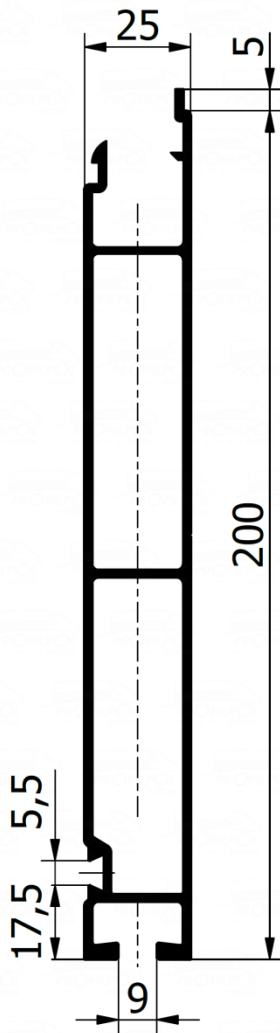
Sideboards



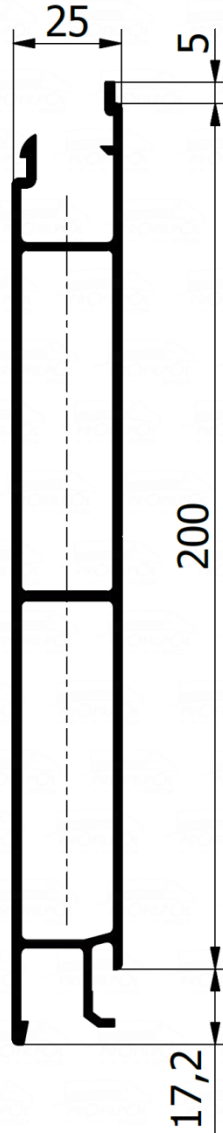
| Cat No | Designation | Weight |
|-----------|--------------------------|-----------|
| 22.22.400 | Sideboard profile 400 mm | 3,97 kg/m |
| Material: | Anodized aluminum | L- 7,2 m |

Sideboards

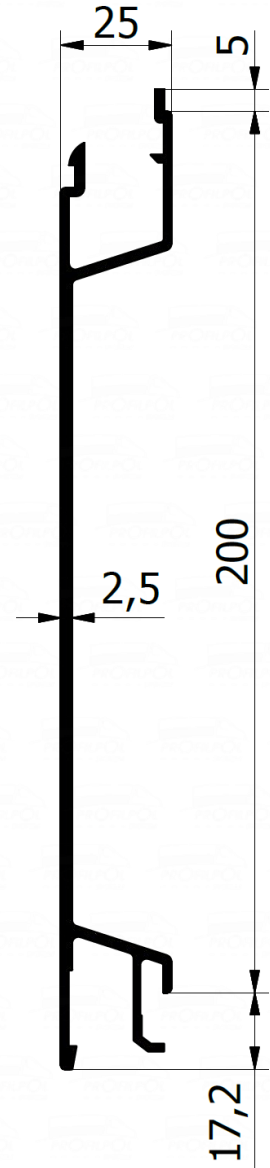
1.



2.

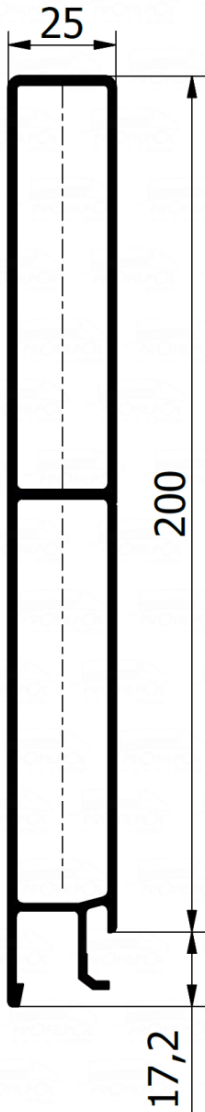


3.

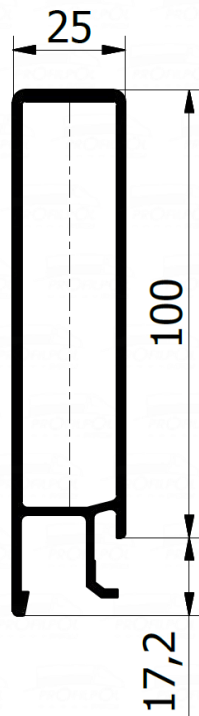


| No | Cat No | Designation | Weight kg/m | Length | Material |
|----|-----------|-------------------------------------|-------------|----------|-------------------|
| 1. | 22.22.703 | Sideboard profile 200 mm, bottom | 2,53 | L- 5,2m | Anodized aluminum |
| 2. | 22.22.803 | Sideboard profile 200 mm, middle | 2,34 | L- 5,2 m | Anodized aluminum |
| 3. | 22.22.903 | Sideboard profile 200 mm, tarpaulin | 1,76 | L- 5,2 m | Anodized aluminum |

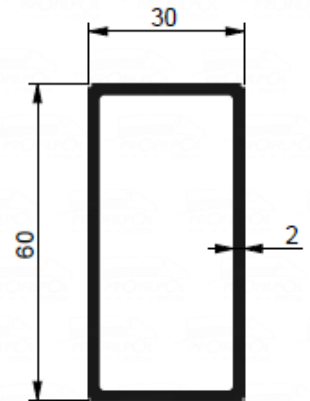
4.



5.



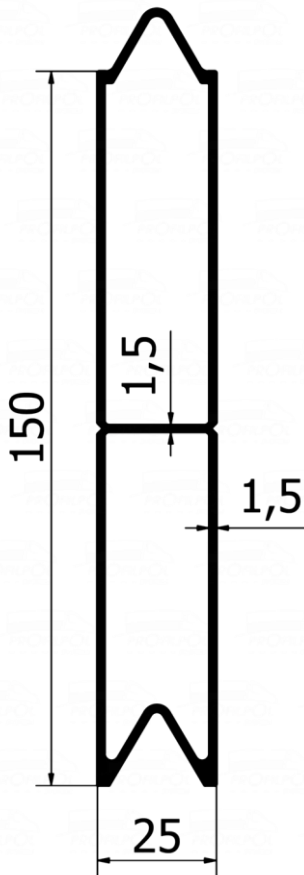
6.



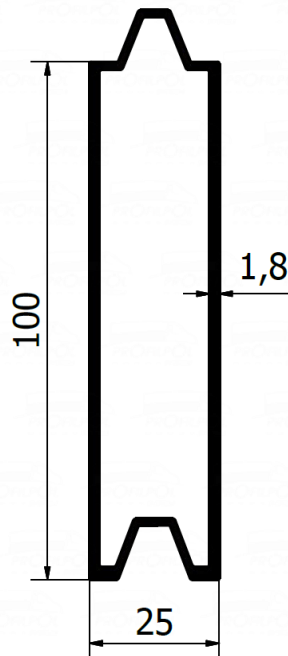
| No | Cat No | Designation | Weight kg/m | Length | Material |
|----|------------|-------------------------------|-------------|----------------|-------------------|
| 4. | 22.22.603 | Sideboard profile 200 mm, top | 2,32 | L- 5,2 m | Anodized aluminum |
| 5. | 22.22.1271 | Sideboard profile 100 mm, top | 1,32 | L- 5,2 m | Anodized aluminum |
| 7. | 22.21.475 | 60x30 profile | 0,93 | L- 5,0 m, 7,5m | Aluminum |

Sideboards

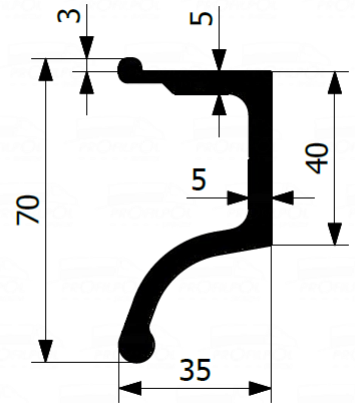
7.



8.

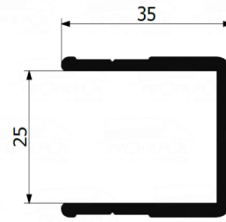
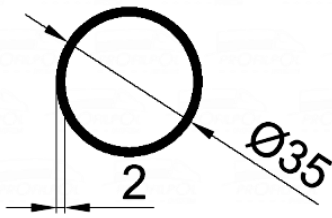


9.



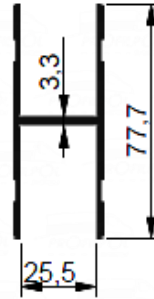
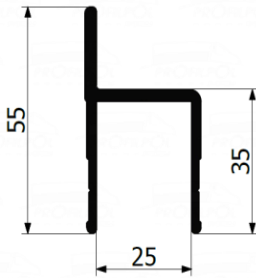
| No | Cat No | Designation | Weight kg/m | Length | Material |
|----|------------|---------------------|-------------|---------|----------|
| 7. | 22.21.8855 | CS 150 side profile | 1,60 | L-5,0 m | Aluminum |
| 8. | 22.21.354 | CS 100 side profile | 1,24 | L-5,0 m | Aluminum |
| 9. | 22.21.542 | CS frame profile | 1,56 | 7,5 m | Aluminum |

Sideboards



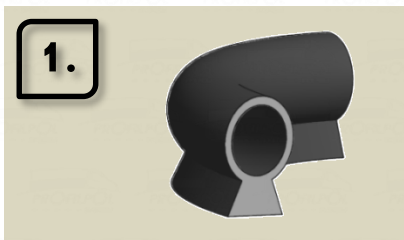
| Cat No | Designation | Weight |
|-----------|-----------------------------|-----------|
| 22.21.667 | Tarpalulin profile ø35 tube | 0,53 kg/m |
| Material: | Aluminum | L-5,0 m |

| Cat No | Designation | Weight |
|-----------|-------------------|------------|
| 22.22.333 | Edging profile U | 0,634 kg/m |
| Material: | Anodized aluminum | L-4,0 m |



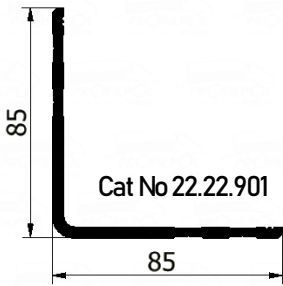
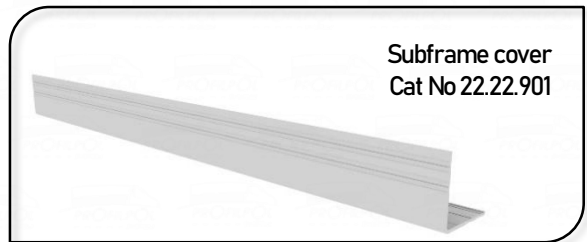
| Cat No | Designation | Weight |
|-----------|-------------------|------------|
| 22.22.233 | Edging profile h | 0,788 kg/m |
| Material: | Anodized aluminum | L- 4,0 m |

| Cat No | Designation | Weight |
|-----------|-------------------|-----------|
| 22.22.186 | Edging profile H | 1,20 kg/m |
| Material: | Anodized aluminum | L-6,0 m |

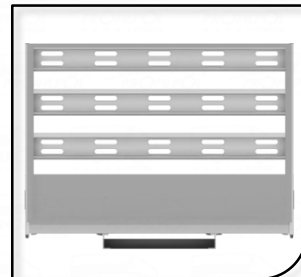
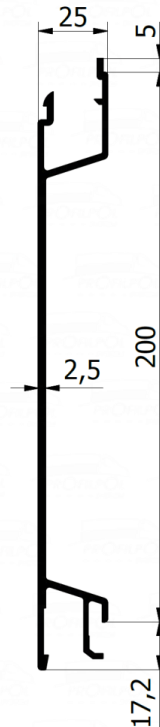
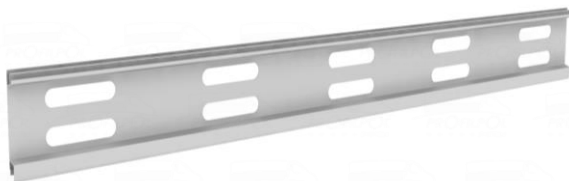


| No | Cat No | Designation | Weight kg/m | Length | Material |
|----|--------|----------------|-------------|---------|----------|
| 1. | 6UK20 | K20 Seal | 0,15 | L-30 m | Guma |
| 2. | 6UPD1 | Sideboard seal | 0,10 | L-100 m | Guma |
| 3. | 6UPD2 | Sideboard seal | 0,09 | L-100 m | Guma |

Subframe cover

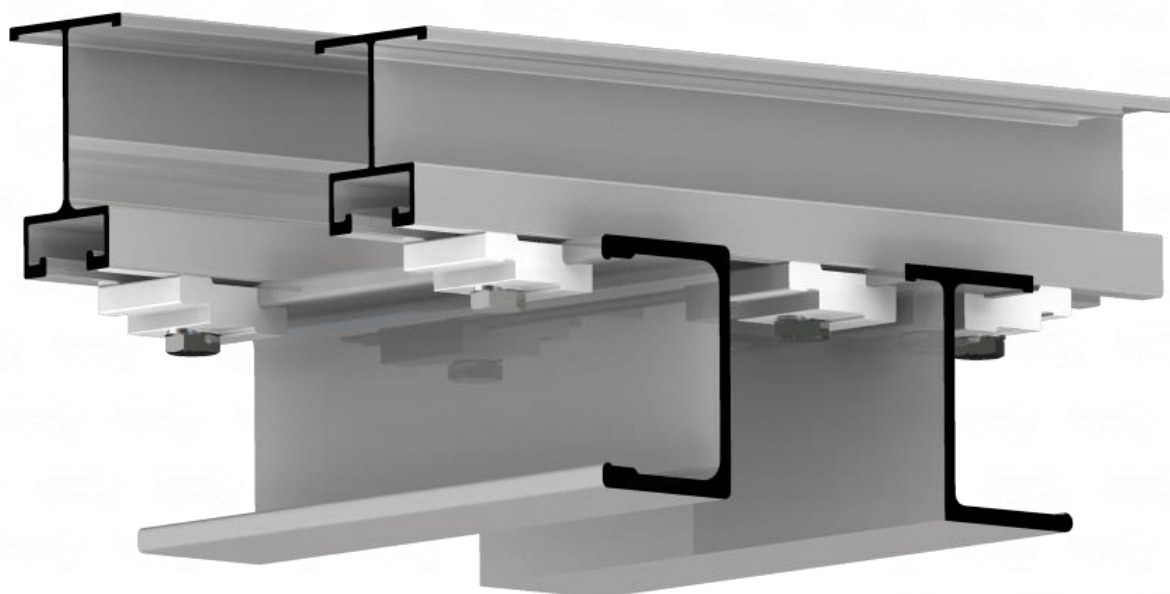


Front wall



| Cat No | Designation | Weight |
|-------------|--------------------------------|-----------|
| 22.22.903.1 | Front wall profile, perforated | 1,15 kg/m |
| Material: | Anodized aluminum | L- 2,2 m |

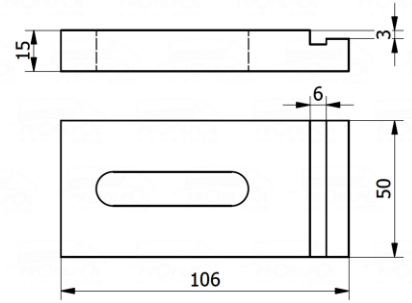
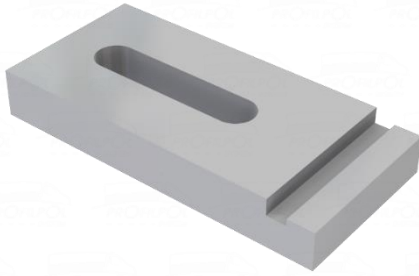
2. Frame profiles fixings



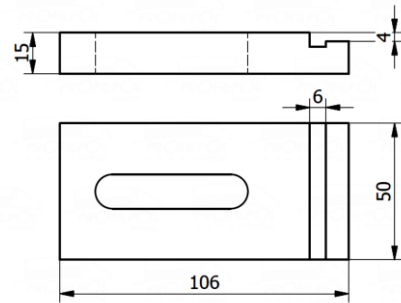
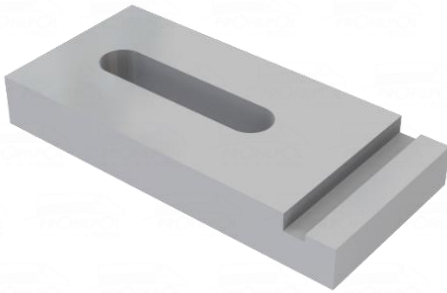
Clamps and brackets s. 18

Sideframe corners s. 22

Clamps and brackets

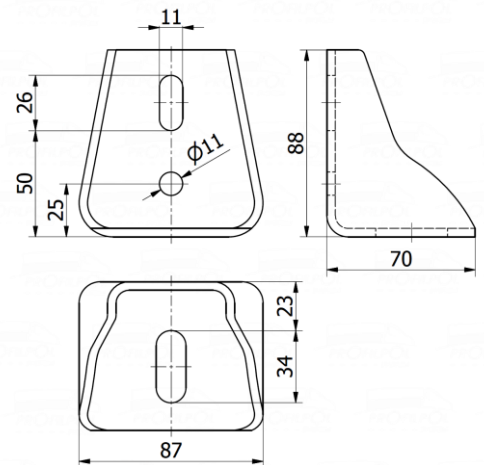


| Cat No | Designation | Weight |
|------------|----------------------|---------|
| 2ZAL315106 | Frame clamp 106x15x3 | 0,18 kg |
| Material: | Aluminium | Pc. |



| Cat No | Designation | Weight |
|------------|----------------------|---------|
| 2ZAL415106 | Frame clamp 106x15x4 | 0,18 kg |
| Material: | Aluminium | Pc. |

NOWOŚĆ



| Cat No | Designation | Weight |
|-----------|-------------------------|----------|
| 2KM90UZN | Mounting bracket 90 UNI | 0,495 kg |
| Material: | Stal/ZN | Pc. |

Clamps and brackets



| Cat No | Designation | Weight |
|-----------|------------------------|---------|
| 2KM90K | Mounting bracket 90 CL | 0,36 kg |
| Material: | Stal/ZN | Pc. |

| Cat No | Designation | Weight |
|-----------|-------------------------|----------|
| 2KM90U | Mounting bracket 90 UNI | 0,475 kg |
| Material: | Stal/ZN | Pc.. |

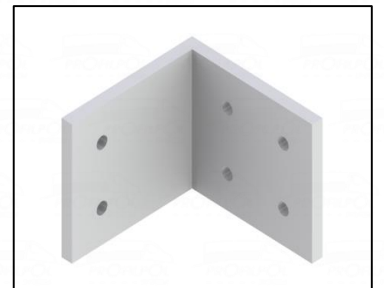
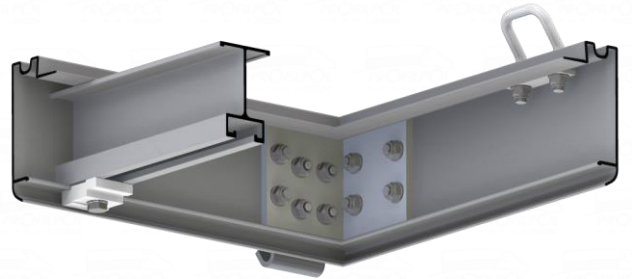
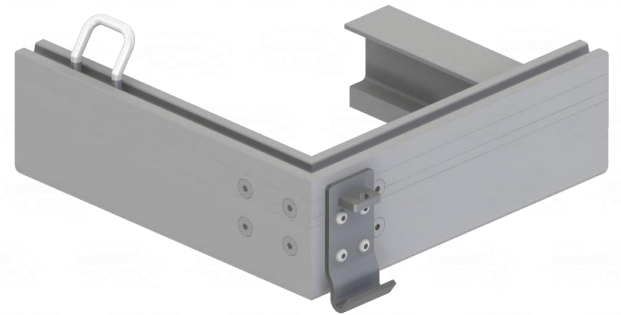
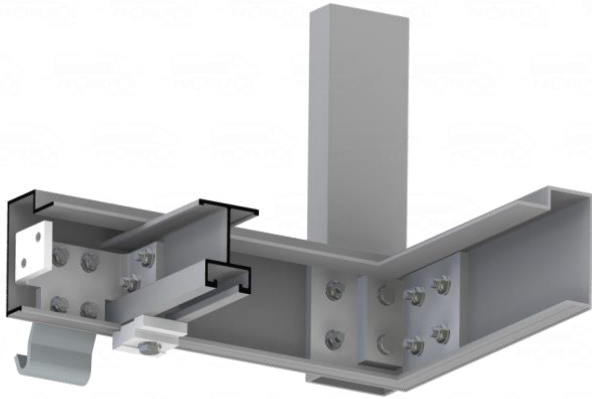
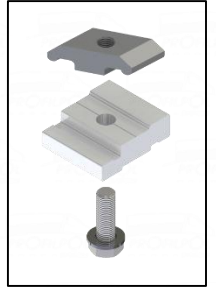
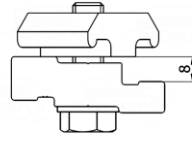
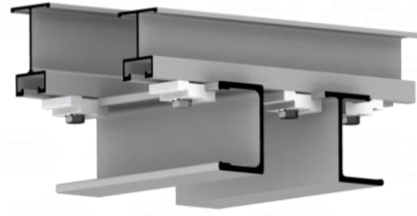
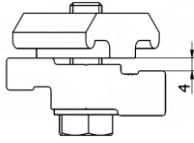
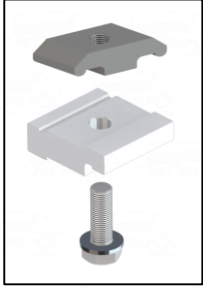


| Cat No | Designation | Weight |
|-----------|---------------------|----------|
| 2KM70ZN | Mounting bracket 70 | 0,325 kg |
| Material: | Stal/ZN | Pc. |



| Cat No | Designation | Weight |
|-----------|---------------------------|---------|
| 2KMV4 | Mounting bracket 100x60x4 | 0,35 kg |
| 2KMV6 | Mounting bracket 100x60x6 | 0,52 |
| Material: | Stal | Pc. |

| Cat No | Designation | Weight |
|-----------|--------------------------------|---------|
| 2SMR1280 | Mounting bracket spring M12x90 | 0,26 kg |
| Material: | Stal/ZN | Pc. |

Clamps and brackets


Clamps and brackets

1.



2.

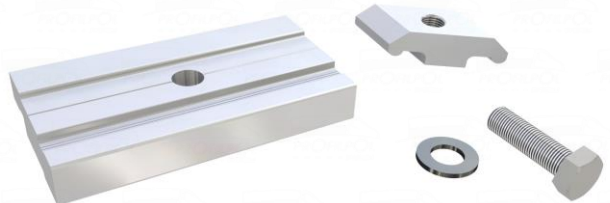


| No | Cat No | Designation | Konfiguration | Weight |
|-----------|----------|---------------------|----------------------|---------|
| 1. | 2ZALKPL | Fixing clamp Type 1 | common, glued | 0,13 kg |
| 2. | 2ZALKPL2 | Fixing clamp Type 2 | reverse, glued | |
| 1. | 2ZALKPL3 | Fixing clamp Type 3 | common, without glue | |
| Material: | | Aluminium | | Kpl. |



| Cat No | Designation | Weight |
|-----------|---------------------|---------------|
| 2PP20 | Palcom M10/22 mm | 0,023 kg |
| Material: | | Aluminium Pc. |

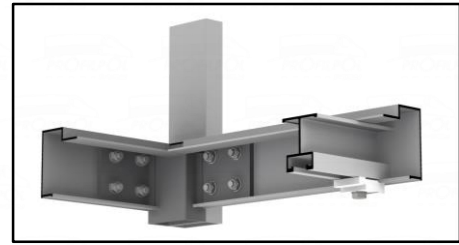
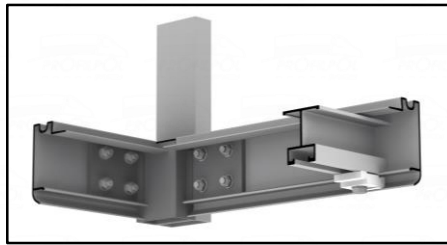
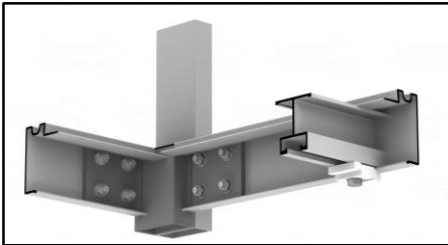
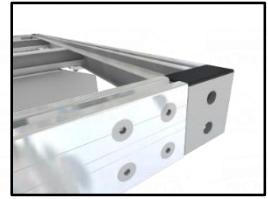
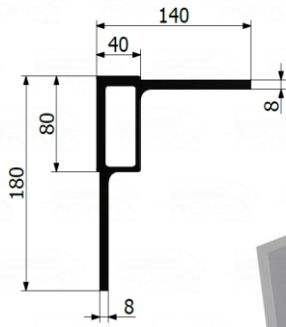
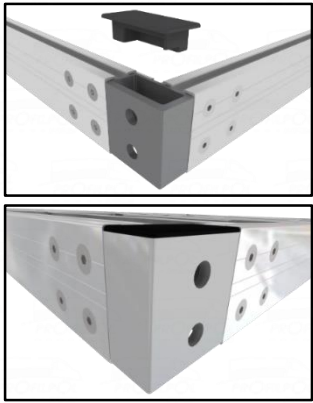
| Cat No | Designation | Weight |
|-----------|---------------------|---------------|
| 2PP25 | Palcom M10/25 mm | 0,024 kg |
| Material: | | Aluminium Pc. |



| Cat No | Designation | Weight |
|-----------|---------------------|---------------|
| 2PP44 | Palcom fi 10,5/44mm | 0,072 kg |
| Material: | | Aluminium Pc. |

| Cat No | Designation | Weight |
|-----------|---------------------|----------------|
| 2ZAL100 | Fixing clamp 100 mm | 0,22 kg |
| Material: | | Aluminium Kpl. |

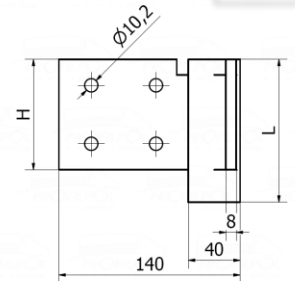
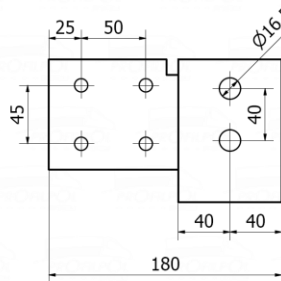
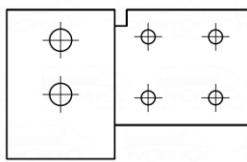
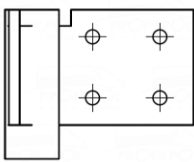
Sideframe corners



PL, TP



PP, TL



| Cat No | Designation | Dimension H | Dimensions L | Weight kg/ pc. | Material |
|-------------|---------------------------------|-------------|--------------|----------------|----------|
| 20.110.70.1 | Sideframe corner joint 70 PL/TP | 85 | 110 | 0,73 | Aluminum |
| 20.110.70.2 | Sideframe corner joint 70 PP/TL | | | | |
| 20.135.90.1 | Sideframe corner joint 90 PL/TP | 108 | 135 | 0,92 | Aluminum |
| 20.135.90.2 | Sideframe corner joint 90 PP/TL | | | | |

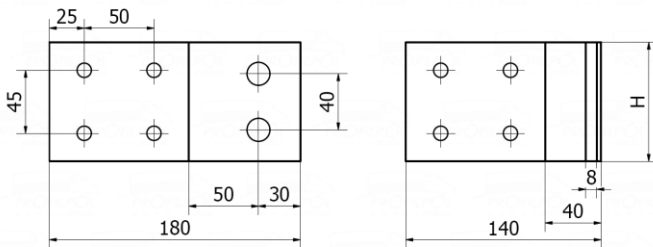
Sideframe corners



1.



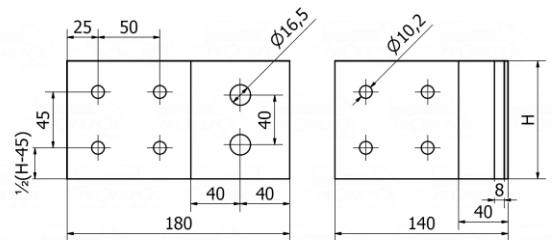
For 60x30 pillars.



2.

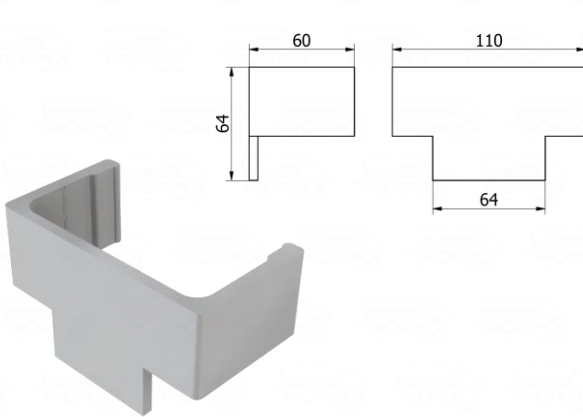


For 80x35 pillars.

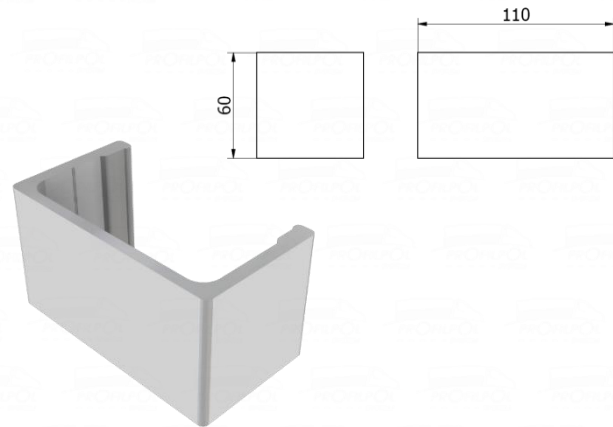


| No | Cat No | Designation | Dimension H | Weight kg/ pc. | Material |
|----|-----------|----------------------------|-------------|----------------|-----------|
| 1. | 20.85.01 | Sideframe corner joint 85 | 85 | 0,63 | aluminium |
| | 20.108.01 | Sideframe corner joint 108 | 108 | 0,78 | aluminium |
| 2. | 20.96.01 | Sideframe corner joint 96 | 96 | 0,69 | aluminium |

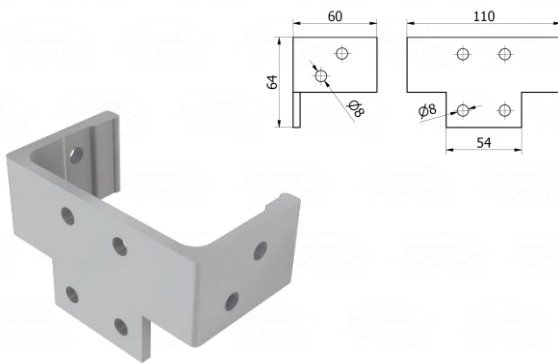
Sideframe corners



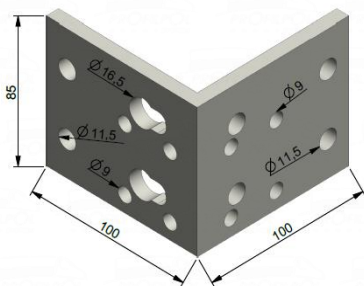
| Cat No | Designation | Weight |
|------------|---------------------------|----------|
| 2NSAL70BOT | Sideframe middle joint 70 | 0,145 kg |
| Material: | Aluminium | Pc. |



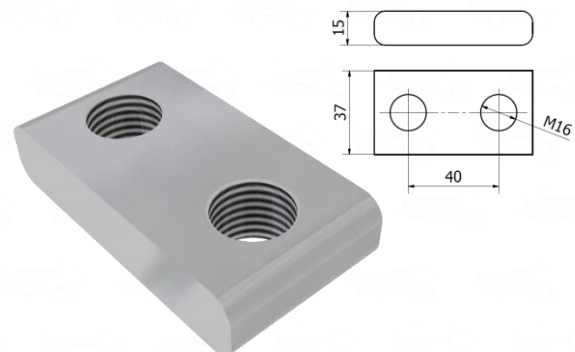
| Cat No | Designation | Weight |
|------------|---------------------------|---------|
| 2NSAL90BOT | Sideframe middle joint 90 | 0,25 kg |
| Material: | Aluminium | Pc. |



| Cat No | Designation | Weight |
|------------|---------------------------|----------|
| 2NSAL70UOT | Sideframe middle joint 70 | 0,145 kg |
| Material: | Stal | Pc. |



| Cat No | Designation | Weight |
|-------------|------------------------|---------|
| 2NAL70UNIOT | Sideframe corner joint | 0,33 kg |
| Material: | Aluminium | Pc. |



| Cat No | Designation | Weight |
|-----------|------------------|---------|
| 2PNS7016 | Pillar joint M16 | 0,90 kg |
| Material: | Aluminium | Pc. |

3. Sideboard - locks, - hinges, - pillars



Sideboard locks s. 26

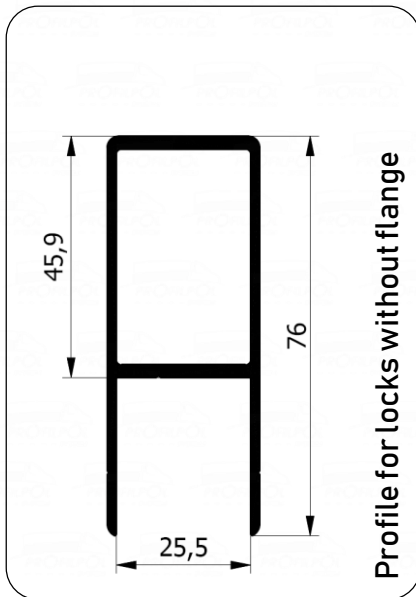
Lock sockets and flanges s. 36

Pillars and extensions s. 38

Hinges and plate joints s. 44

Lock with black lever, reduction, without flange

Sideboard locks



Lock with black lever, reduction, without flange

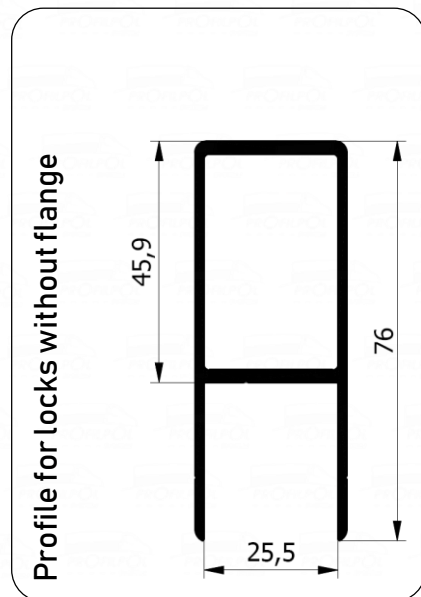
| Cat No | Hight of the lock | Mounting side | Weight | Material/ coating |
|-----------|-------------------|---------------|--------|-------------------------------------|
| | H [mm] | | kg | |
| 50ZPK350P | 350 | R | 0,60 | Aluminum, anodized /cataphoresis |
| 50ZPK350L | 350 | L | | |
| 50ZPK400P | 400 | R | 0,70 | |
| 50ZPK400L | 400 | L | | |
| 50ZPK500P | 500 | R | 0,98 | |
| 50ZPK500L | 500 | L | | |
| 50ZPK600P | 600 | R | 1,05 | |
| 50ZPK600L | 600 | L | | |



| Cat No | Designation | Weight kg |
|-----------|-------------------------|-----------|
| 6ZG4025 | Rubber cap for the lock | 0,017 |
| Material: | Guma | Pc. |

Sideboard locks

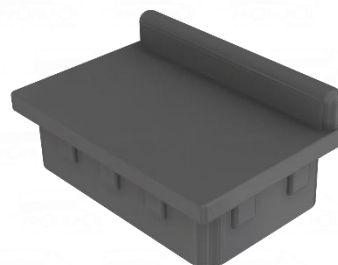
Lock with inox lever, reduction, without flange



Lock with inox lever, reduction, without flange

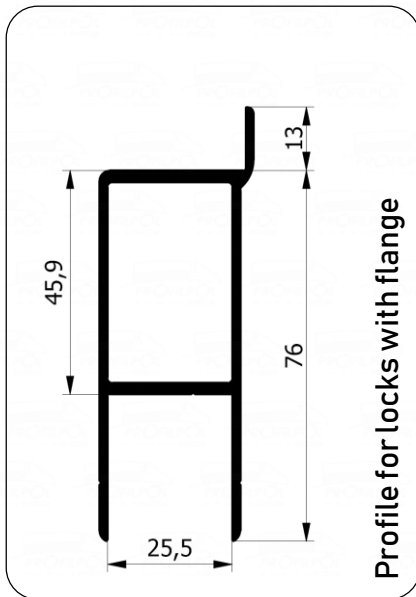
| Cat No | Hight of the lock | Mounting side | Weight | Material/ coating |
|-----------|-------------------|---------------|--------|-----------------------------|
| | H [mm] | | kg | |
| 50ZPI350P | 350 | R | 0,66 | Aluminum, anodized /INOX |
| 50ZPI350L | 350 | L | | |
| 50ZPI400P | 400 | R | 0,70 | |
| 50ZPI400L | 400 | L | | |
| 50ZPI500P | 500 | R | 0,79 | |
| 50ZPI500L | 500 | L | | |
| 50ZPI600P | 600 | R | 0,88 | |
| 50ZPI600L | 600 | L | | |

| Cat No | Designation | Weight kg |
|-----------|-------------------------|-----------|
| 6ZGZ4020 | Rubber cap for the lock | 0,018 |
| Material: | Guma | Pc. |



Lock with black lever, reduction, with flange

Sideboard locks

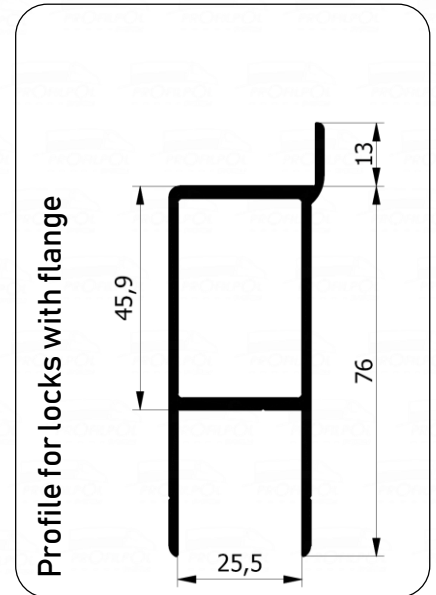


Lock with black lever, reduction, with flange

| Cat No | Hight of the lock | Mounting side | Weight | Material/ coating |
|------------|-------------------|---------------|--------|-------------------------------------|
| | H [mm] | | kg | |
| 501ZPK350P | 350 | R | 0,66 | Aluminum, anodized /cataphoresis |
| 501ZPK350L | 350 | L | | |
| 501ZPK400P | 400 | R | 0,70 | |
| 501ZPK400L | 400 | L | | |
| 501ZPK500P | 500 | R | 0,79 | |
| 501ZPK500L | 500 | L | | |
| 501ZPK600P | 600 | R | 0,88 | |
| 501ZPK600L | 600 | L | | |

Sideboard locks

Lock with inox lever, reduction, with flange

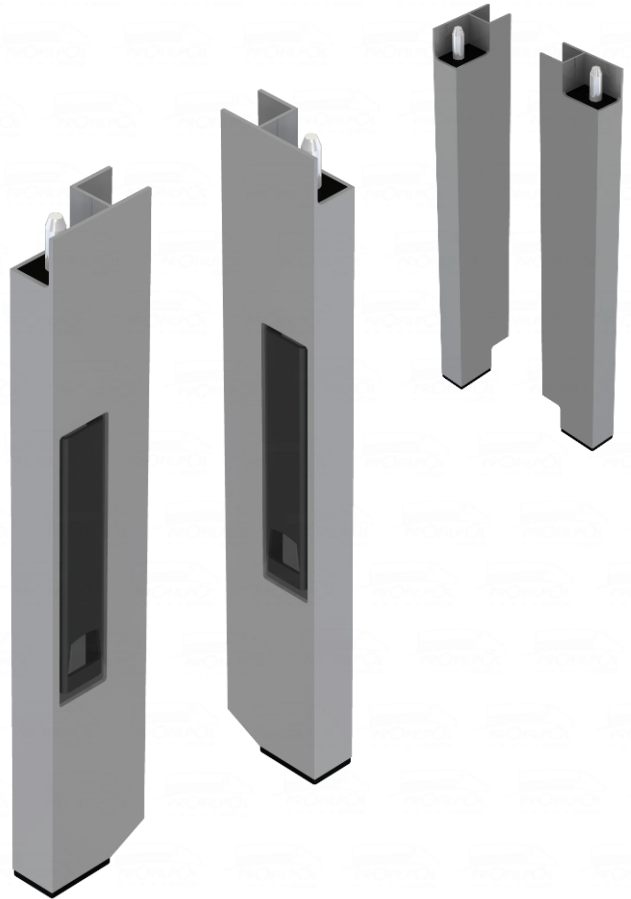
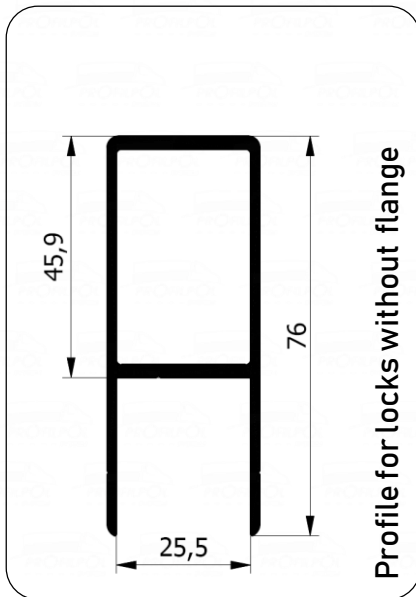


Lock with inox lever, reduction, with flange

| Cat No | Hight of the lock | Mounting side | Weight | Material/ coating |
|------------|-------------------|---------------|--------|-----------------------------|
| | H [mm] | | kg | |
| 501ZPI350P | 350 | R | 0,66 | Aluminum, anodized /INOX |
| 501ZPI350L | 350 | L | | |
| 501ZPI400P | 400 | R | 0,70 | |
| 501ZPI400L | 400 | L | | |
| 501ZPI500P | 500 | R | 0,79 | |
| 501ZPI500L | 500 | L | | |
| 501ZPI600P | 600 | R | 0,88 | |
| 501ZPI600L | 600 | L | | |

Lock with black lever, without flange

Sideboard locks

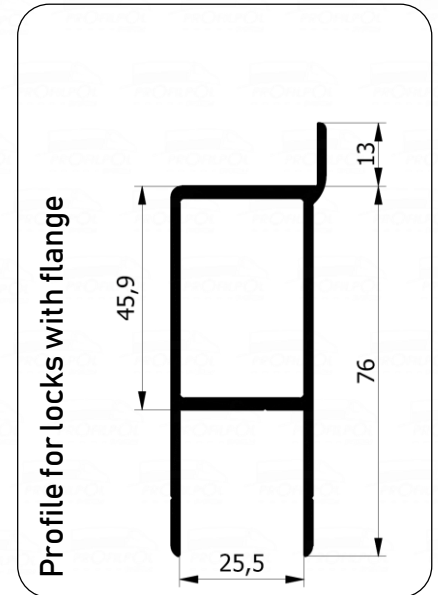
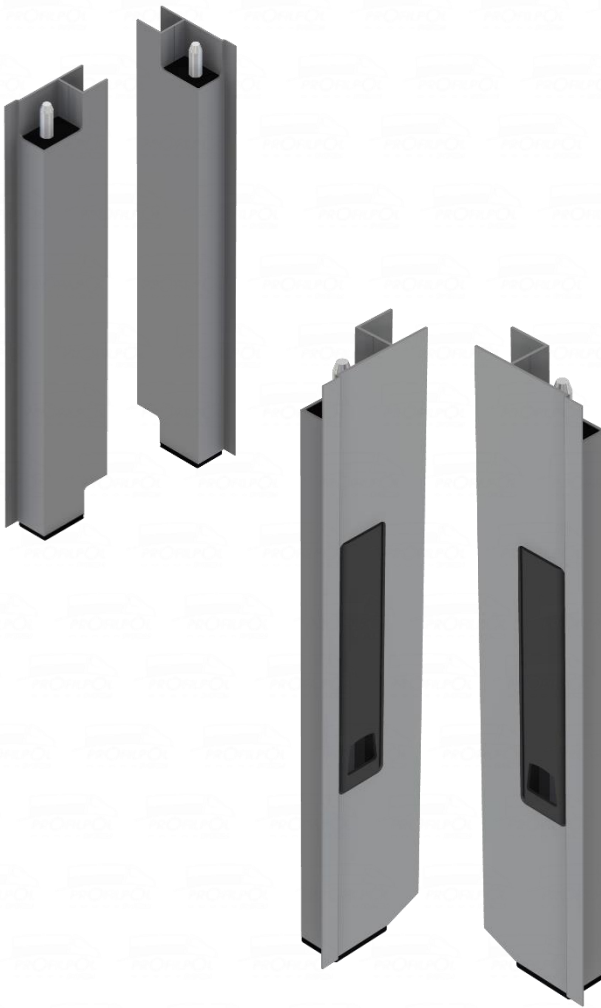


Lock with black lever, without flange

| Cat No | Hight of the lock | Mounting side | Weight | Material/ coating |
|-----------|-------------------|---------------|--------|-------------------------------------|
| | H [mm] | | kg | |
| 52ZPK350P | 350 | R | 0,66 | Aluminum, anodized /cataphoresis |
| 52ZPK350L | 350 | L | | |
| 52ZPK400P | 400 | R | 0,70 | |
| 52ZPK400L | 400 | L | | |
| 52ZPK500P | 500 | R | 0,79 | |
| 52ZPK500L | 500 | L | | |
| 52ZPK600P | 600 | R | 0,88 | |
| 52ZPK600L | 600 | L | | |

Sideboard locks

Lock with black lever, with flange

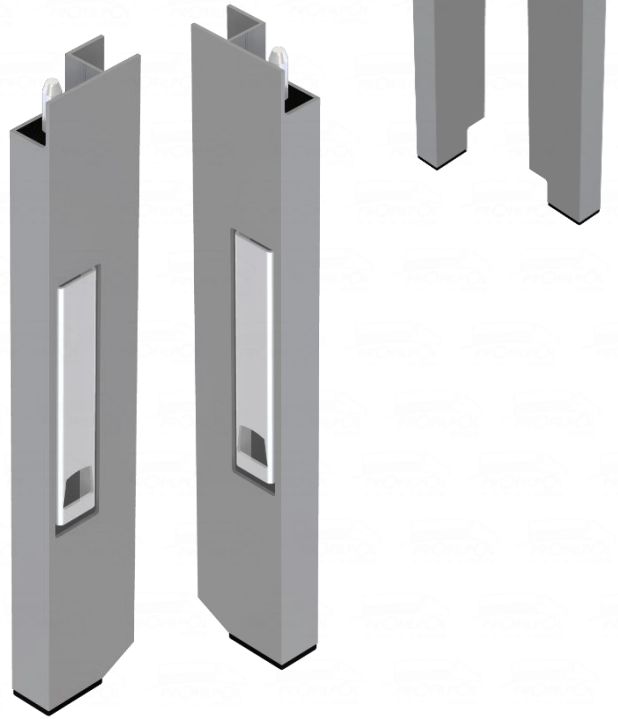
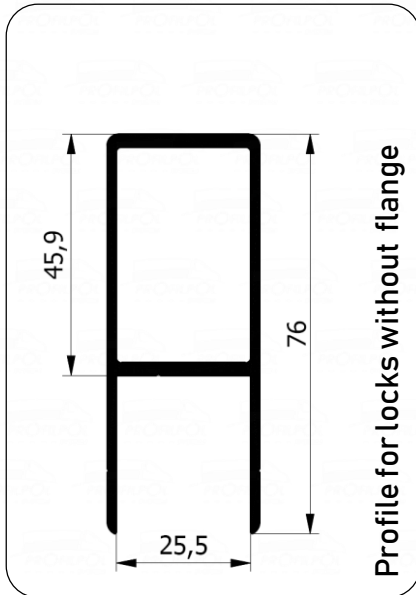


Lock with black lever, with flange

| Cat No | Hight of the lock | Mounting side | Weight | Material/ coating |
|-----------|-------------------|---------------|--------|-------------------------------------|
| | H [mm] | | kg | |
| 53ZPK350P | 350 | R | 0,66 | Aluminum, anodized /cataphoresis |
| 53ZPK350L | 350 | L | | |
| 53ZPK400P | 400 | R | 0,70 | |
| 53ZPK400L | 400 | L | | |
| 53ZPK500P | 500 | R | 0,79 | |
| 53ZPK500L | 500 | L | | |
| 53ZPK600P | 600 | R | 0,88 | |
| 53ZPK600L | 600 | L | | |

Lock with inox lever, without flange

Sideboard locks

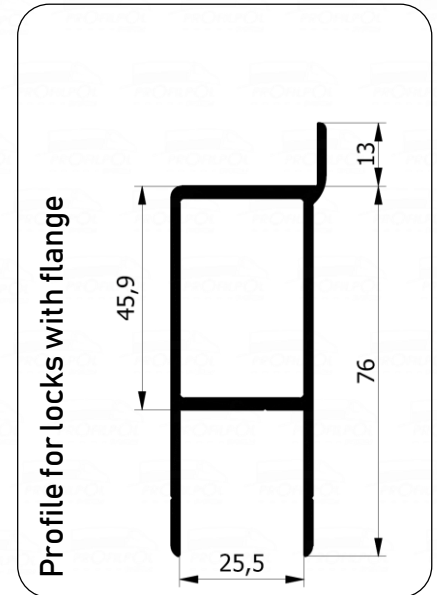
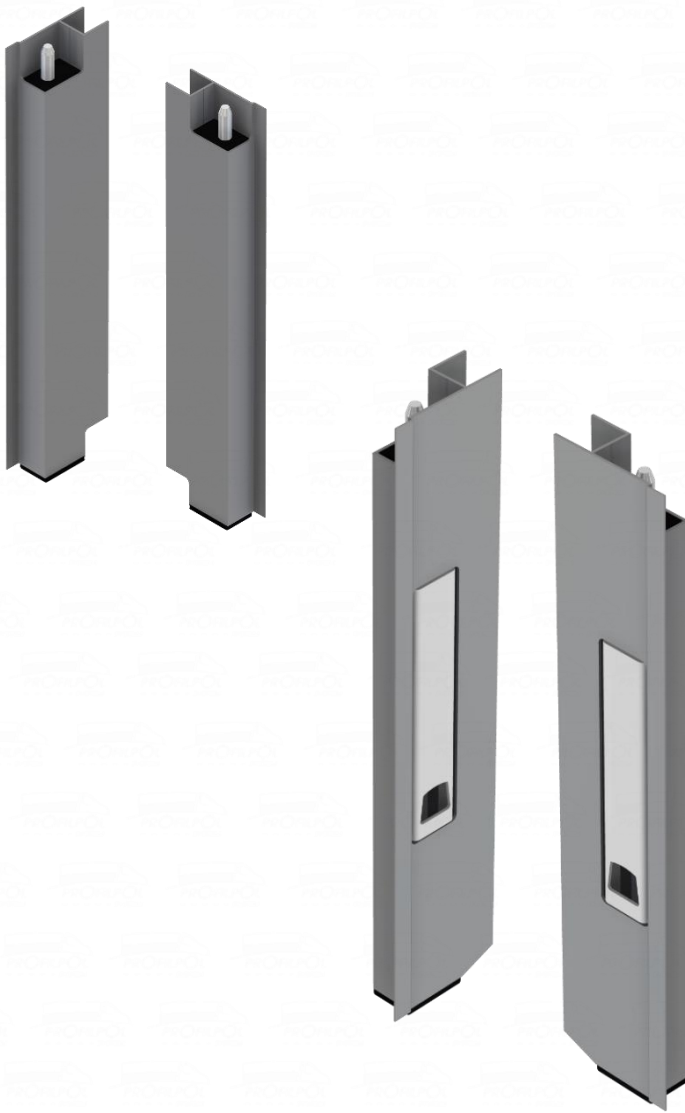


Lock with inox lever, without flange

| Cat No | Hight of the lock | Mounting side | Weight | Material/ coating |
|-----------|-------------------|---------------|--------|-----------------------------|
| | H [mm] | | kg | |
| 55ZPB350P | 350 | R | 0,66 | Aluminum, anodized /INOX |
| 55ZPB350L | 350 | L | | |
| 55ZPB400P | 400 | R | 0,70 | |
| 55ZPB400L | 400 | L | | |
| 55ZPB500P | 500 | R | 0,79 | |
| 55ZPB500L | 500 | L | | |
| 55ZPB600P | 600 | R | 0,88 | |
| 55ZPB600L | 600 | L | | |

Sideboard locks

Lock with inox lever, with flange



Lock with inox lever, with flange

| Cat No | Hight of the lock | Mounting side | Weight | Material/ coating |
|-----------|-------------------|---------------|--------|-----------------------------|
| | H [mm] | | kg | |
| 56ZPZ350P | 350 | R | 0,66 | Aluminum, anodized /INOX |
| 56ZPZ350L | 350 | L | | |
| 56ZPZ400P | 400 | R | 0,70 | |
| 56ZPZ400L | 400 | L | | |
| 56ZPZ500P | 500 | R | 0,79 | |
| 56ZPZ500L | 500 | L | | |
| 56ZPZ600P | 600 | R | 0,88 | |
| 56ZPZ600L | 600 | L | | |

Sideboard locks

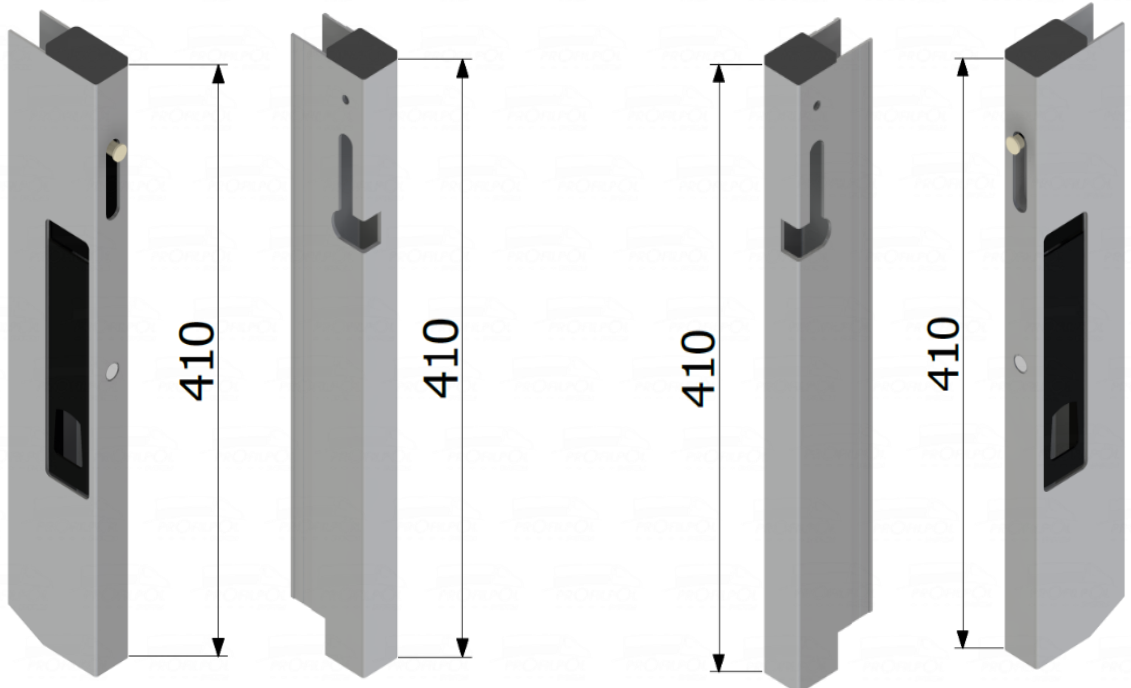
left



right



| Cat No | Designation | Weight kg |
|---------------|--|-----------|
| 54ZBS400 P/KT | Corner lock with edging 400 right side | 1,90 |
| 54ZBS400 L/KT | Corner lock with edging 400 left side | 1,90 |
| Material : | Aluminum, anodized /cataphoresis | Pc. |

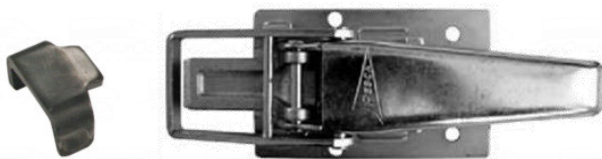
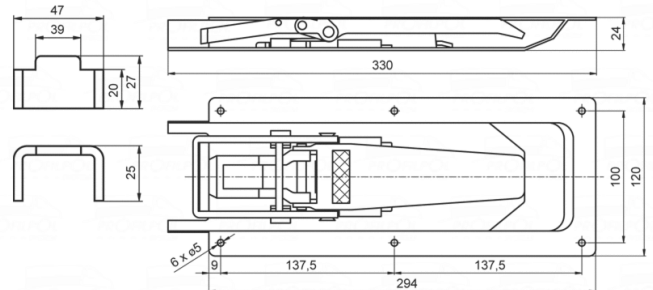
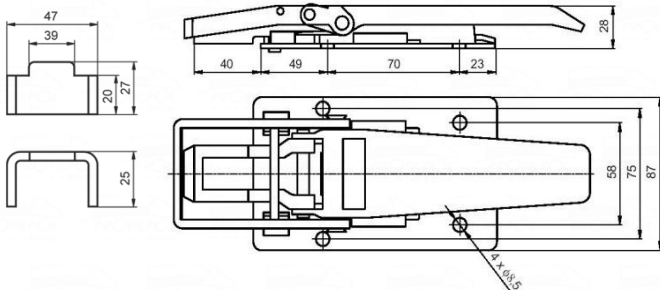


Sideboard locks



| Cat No | Designation | Weight |
|------------|----------------------|---------|
| 50ZB681S | Sideboard lock 681 S | 1,53 kg |
| Material : | Stal/ZN | Pc. |

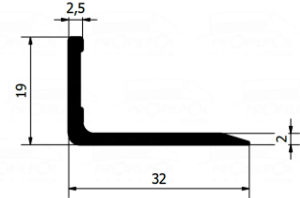
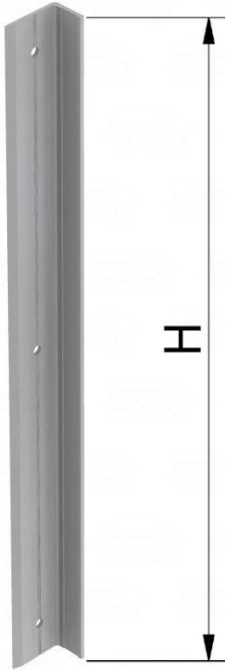
| Cat No | Designation | Weight |
|------------|-------------------|---------|
| 50ZB681S | Lock socket 681 S | 0,19 kg |
| Material : | Stal | Pc. |



| Cat No | Designation | Weight |
|------------|----------------------|---------|
| 50ZBP646 | Pesca sideboard lock | 1,11 kg |
| Material : | Stal/ZN | Pc. |

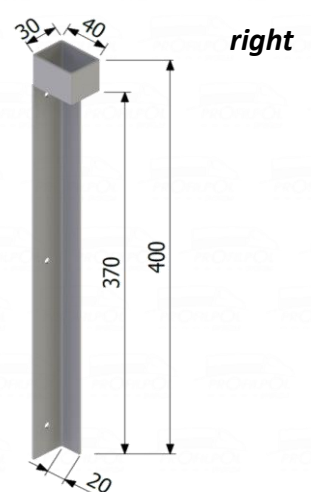
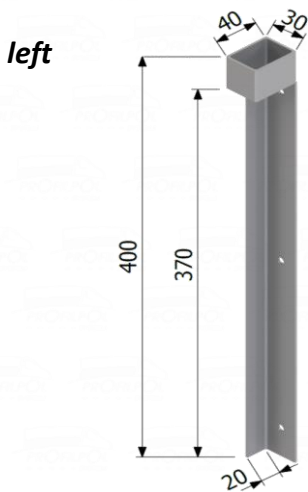
| Cat No | Designation | Weight |
|------------|----------------------|---------|
| 5ZBP694 | Pesca sideboard lock | 1,55 kg |
| Material : | Stal/ZN | Pc. |

Lock sockets and flanges



| Cat No | Designation | Weight |
|-------------|----------------------|------------|
| 22.22.34898 | Flange profile 19x32 | 0,264 kg/m |
| Material | Aluminium/ Anoda | L- 3 m |

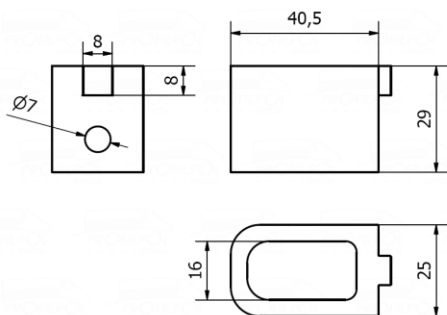
| Cat No | Designation | H mm | Weight kg/pc |
|---------|--------------------------------------|------|--------------|
| 2PKA400 | Flange profile for pillar ALU 400 mm | 370 | 0,097 |
| 2PKA600 | Flange profile for pillar ALU 600 mm | 570 | 0,150 |



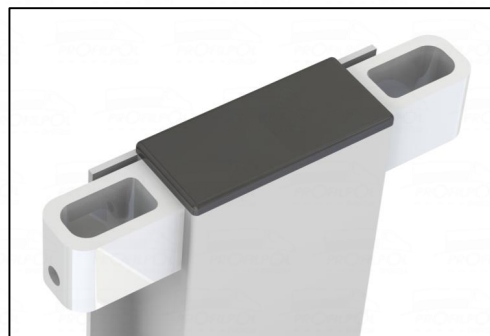
| No | Cat No | Designation | H mm | Weight kg/pc |
|----|----------------|---|------|--------------|
| 1. | 2PKZ 400 L RAL | Flange profile for pillar 400, painted, left | 400 | 0,35 |
| 2. | 2PKZ 400 P RAL | Flange profile for pillar 400 painted, right | | |
| 3. | 2PKZ 400 L ZN | Flange profile for pillar 400 galvanized, left | | |
| 4. | 2PKZ 400 P ZN | Flange profile for pillar 400 galvanized, right | | |

Lock sockets and flanges

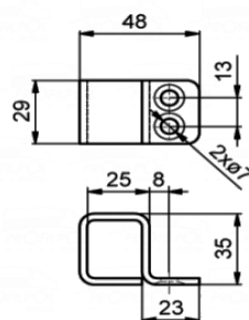
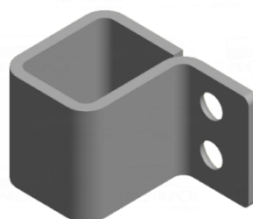
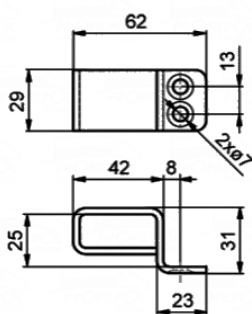
NOWOŚĆ



Nowe kostki aluminiowe.



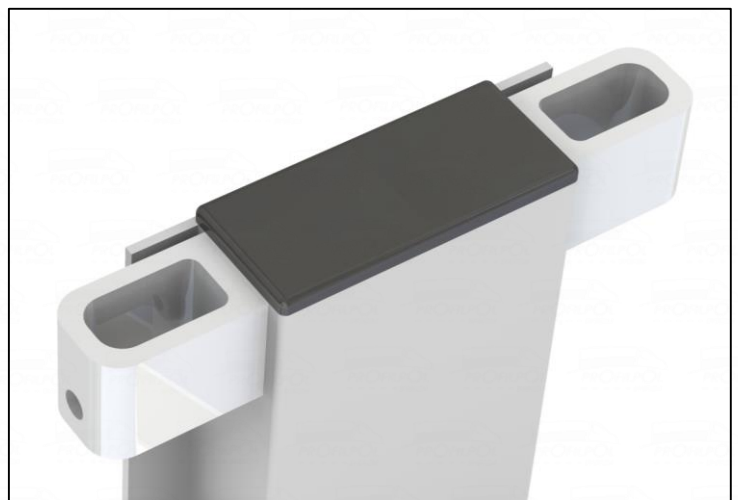
| Cat No | Designation | Weight |
|------------|--------------------|----------|
| 2ZSB3 | Lock socket | 0,041 kg |
| Material : | Aluminum/ anodized | Pc. |



| Cat No | Designation | Weight |
|------------|---------------------|----------|
| 2 ZSB | Lock socket, ZN/RAL | 0,107 kg |
| Material : | Steel, Geomet | Pc. |

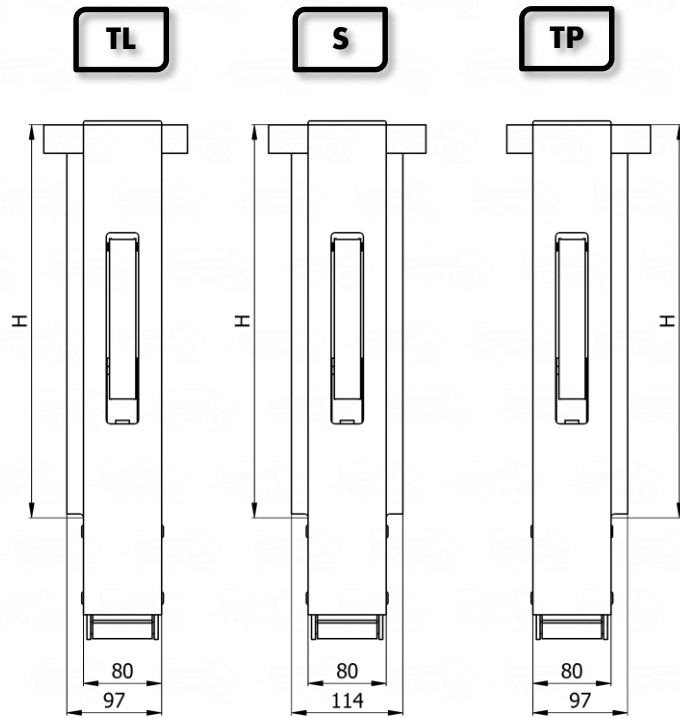
| Cat No | Designation | Weight |
|------------|---------------------|----------|
| 2 ZST | Lock socket, ZN/RAL | 0,095 kg |
| Material : | Steel, Geomet | Pc. |

Pillars and extensions


Nowe kostki aluminiowe.


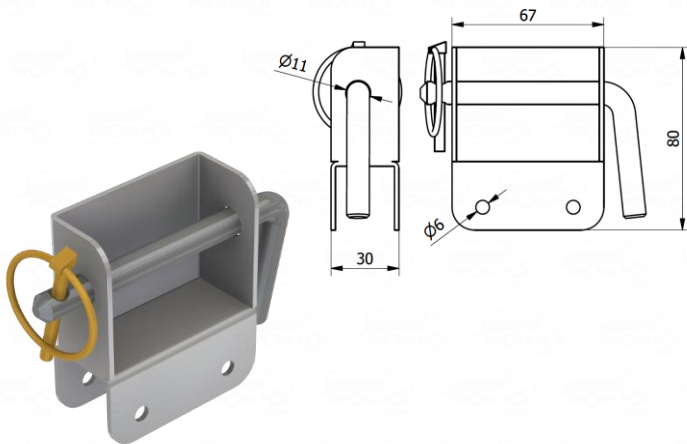
| Cat No | Designation | Weight |
|---------------|-----------------------|----------|
| 5SAL400S TYP5 | Middle pillar 400 ALU | 2,818 kg |
| Material: | Aluminum/Steel | pc |

Pillars and extensions



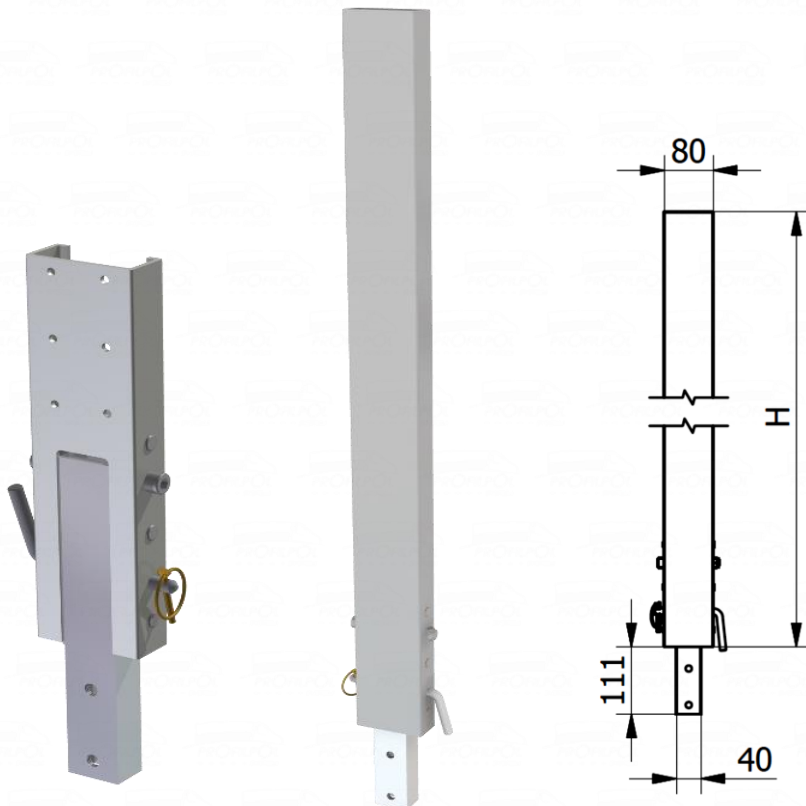
| No | Cat No | Designation | Drawing | H mm | Weight kg/pc |
|-----|----------------|--|-----------|---------|-----------------|
| 1. | 5SAL400S Typ 5 | Detachable pillar with socket 400 - middle | S | 400 | 2,82 |
| 2. | 5SAL400L Typ 5 | Detachable pillar with socket 400 – rear left | TL | 400 | 2,80 |
| 3. | 5SAL400P Typ 5 | Detachable pillar with socket 400 – rear right | TP | 400 | 2,80 |
| 4. | 5SAL500S Typ 5 | Detachable pillar with socket 500 - middle | S | 500 | 3,17 |
| 5. | 5SAL500L Typ 5 | Detachable pillar with socket 500 – rear left | TL | 500 | 3,15 |
| 6. | 5SAL500P Typ 5 | Detachable pillar with socket 500 – rear right | TP | 500 | 3,15 |
| 7. | 5SAL600S Typ 5 | Detachable pillar with socket 600 - middle | S | 600 | 3,52 |
| 8. | 5SAL600L Typ 5 | Detachable pillar with socket 600 – rear left | TL | 600 | 3,50 |
| 9. | 5SAL600P Typ 5 | Detachable pillar with socket 600 – rear right | TP | 600 | 3,50 |
| 10. | 5SAL800S Typ 5 | Detachable pillar with socket 800 - middle | S | 800 | 4,12 |
| 11. | 5SAL800L Typ 5 | Detachable pillar with socket 800 – rear left | TL | 800 | 4,10 |
| 12. | 5SAL800P Typ 5 | Detachable pillar with socket 800 – rear right | TP | 800 | 4,10 |

Pillars and extensions

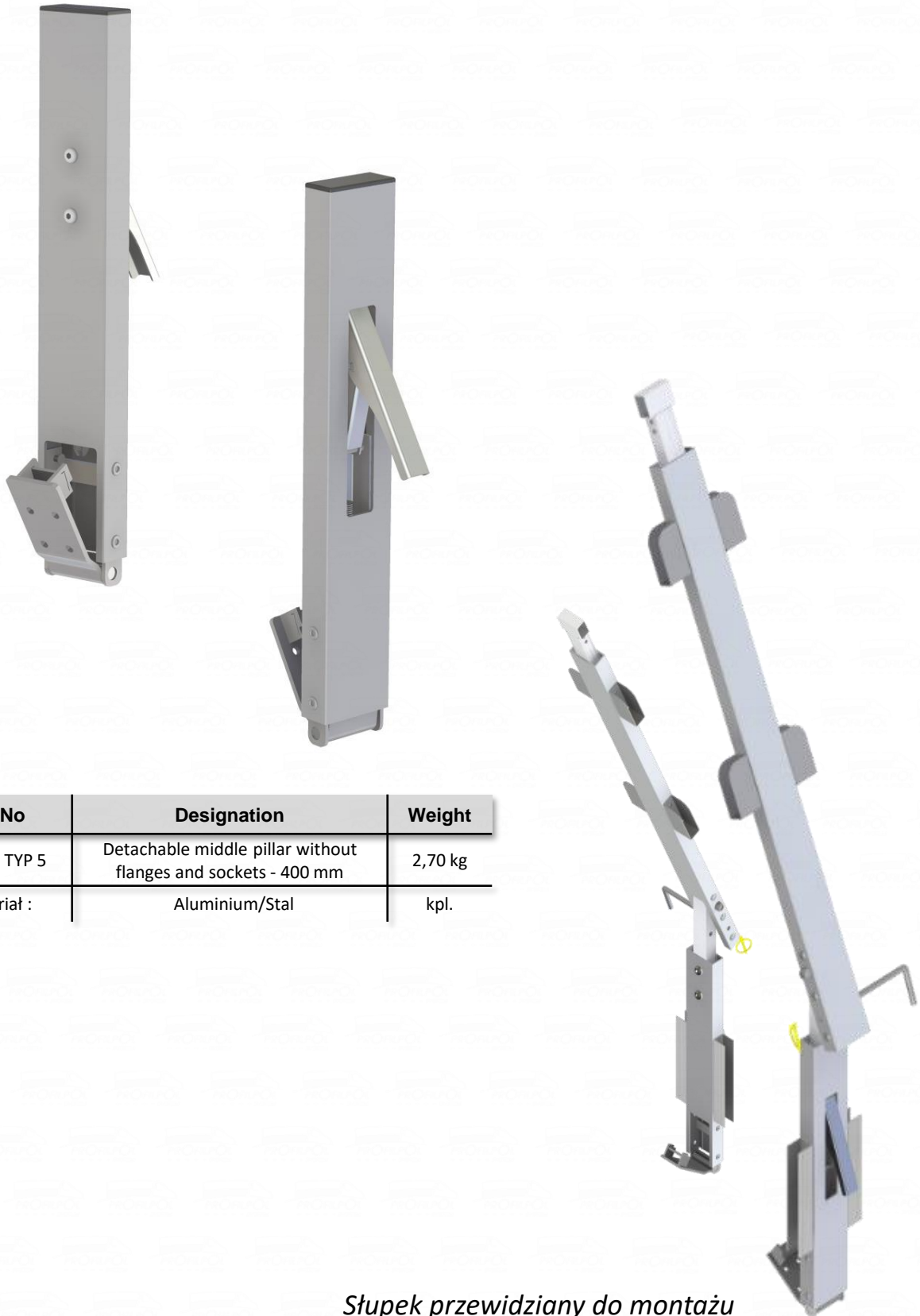


| Cat No | Designation | Weight |
|-------------|---------------------------------------|---------|
| 5ZBS 400 ZN | Sideboard extension for middle pillar | 0,29 kg |
| Material : | Stal | Pc. |

| Cat No | Designation | Weight |
|------------|-----------------------|---------|
| 6ZG8035 | Rubber cap for pillar | 0,03 kg |
| Material : | Guma | Pc. |



| Cat No | Designation | H mm | Weight kg/pc |
|---------------|--|------|--------------|
| 5STSA400ST | Middle pillar extension | 300 | 1,3 |
| 5STSA400/1900 | Middle pillar extension for lifting roof | 1900 | 4,5 |
| 5STSA400/2200 | Middle pillar extension for lifting roof | 2200 | 5,0 |

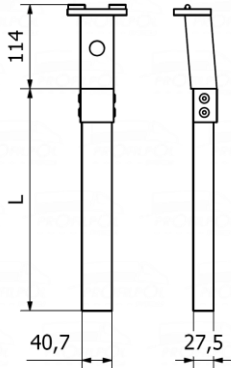


| Cat No | Designation | Weight |
|--------------|---|---------|
| 5SA400 TYP 5 | Detachable middle pillar without flanges and sockets - 400 mm | 2,70 kg |
| Materiał : | Aluminium/Stal | kpl. |

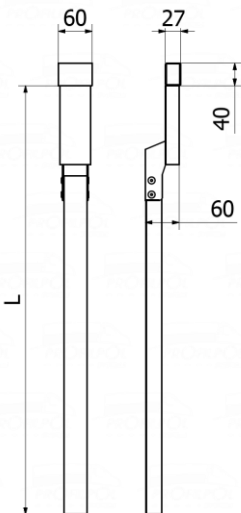
Słupek przewidziany do montażu wraz ze statywem i ceownikiem prowadzenia deski CS

Pillars and extensions

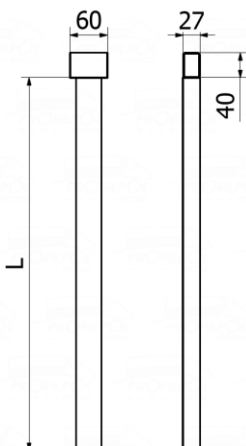
| Cat No | Designation | Weight |
|---------------------|---------------------------------|----------|
| PRO.sworzeń statywu | Bolt with cotter for roof stand | 0,114 kg |
| Material : | Steel, galvanized | Pc. |



| Cat No | Designation | Length L | Weight |
|------------|-----------------------------|----------|---------|
| 4USR300CSG | Stand for sliding roof | 300 | 0,90 kg |
| 4USR600CSG | Stand for sliding roof | 600 | 1,23 kg |
| Material: | Aluminum/ Steel, galvanized | | Pc. |

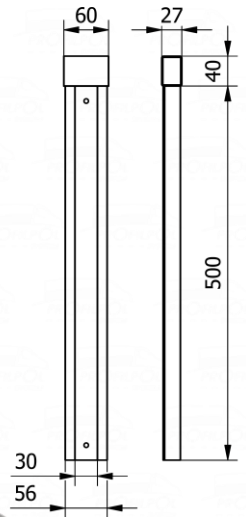
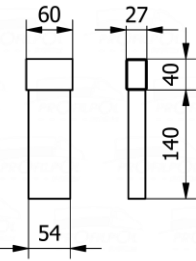


| Cat No | Designation | Length L | Weight |
|-----------|-------------------------------|----------|---------|
| 4USR500BF | Roof stand for curtain slider | 500 mm | 0,89 kg |
| 4USR800BF | Roof stand for curtain slider | 800 mm | 1,13 kg |
| Material: | Aluminum/ Steel, galvanized | | Pc. |



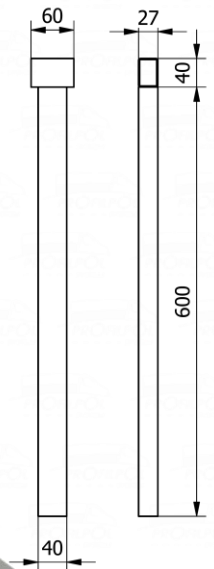
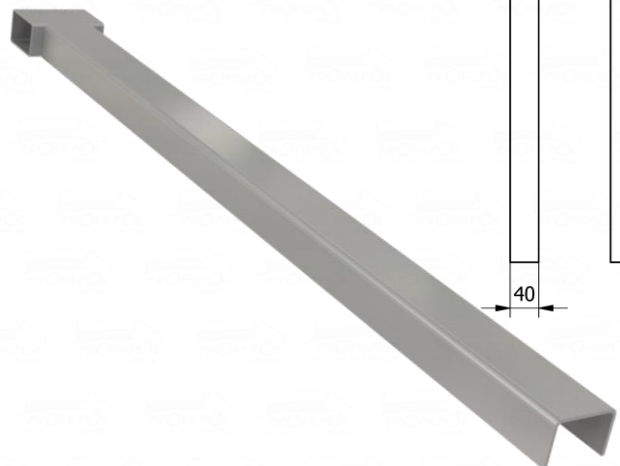
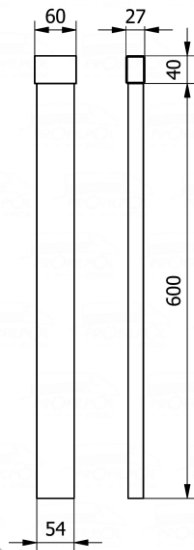
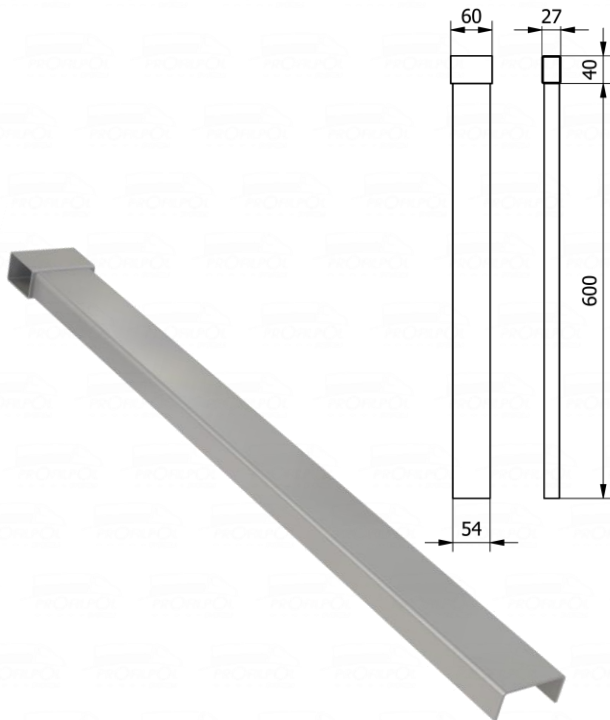
| Cat No | Designation | Length L | Weight |
|------------|-----------------------------|----------|---------|
| 4USR300AL | Roof stand for 80x35 pillar | 300 | 0,58 kg |
| 4USR600AL | Roof stand for 80x35 pillar | 600 | 0,82 kg |
| Material : | Aluminum/ Steel, galvanized | | Pc. |

Pillars and extensions



| Cat No | Designation | Weight |
|------------|-------------------|---------|
| 4US35 | Roof stand | 0,35 kg |
| Material : | Steel, galvanized | Pc |

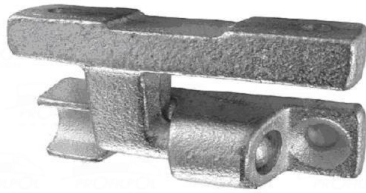
| Cat No | Designation | Weight |
|------------|---------------------------------|--------|
| 4USR600J | Lifting roof stand omega 600 mm | 0,83 |
| Material : | Steel, galvanized | Pc |



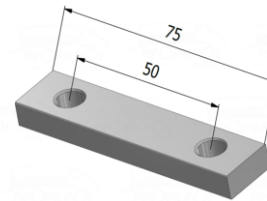
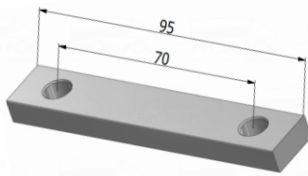
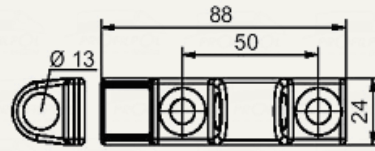
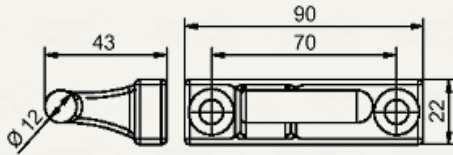
| Cat No | Designation | Weight |
|------------|--------------------------------|--------|
| 4USR60054 | Lifting roof stand L600 C54 mm | 1,0 |
| Material : | Steel, galvanized | Pc |

| Cat No | Designation | Weight |
|------------|--|--------|
| 4USR600 | Lifting roof stand for 80x35 pillar, L600 mm | 0,94 |
| Material : | Steel, galvanized | Pc |

Hinges and plate joints

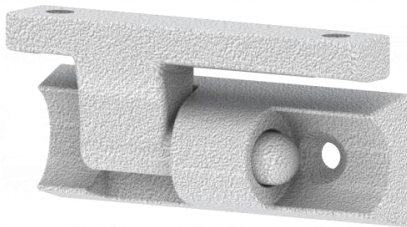


| Cat No | Designation | Weight kg |
|-------------|---|-----------|
| 5ZB90 ZN/K | Hinge 90 set (pin + bearing) galvanized | 0,45 |
| 5ZB90 ZNP/K | Hinge 90 set (pin + bearing) Geomet | 0,46 |
| Material: | Steel | Pc |

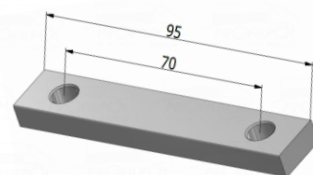
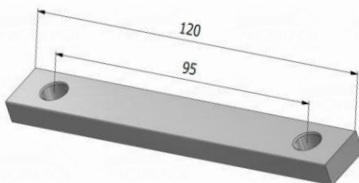
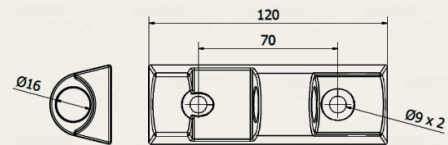
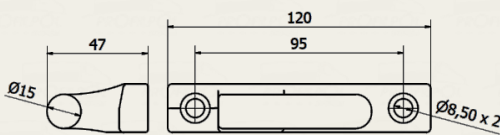


| Cat No | Designation | Weight |
|-----------|-----------------------|----------|
| 5PLZ70 A | Hinge joint 70/100 M8 | 0,032 kg |
| Material: | Aluminum | Pc |

| Cat No | Designation | Weight |
|-----------|-----------------------|----------|
| 5PLZ50 A | Hinge joint 50/100 M8 | 0,028 kg |
| Material: | Aluminum | Pc |



| Cat No | Designation | Weight |
|-----------|-------------------------------------|---------|
| 5ZB120 BM | Hinge (set: pin+bearing) 120 BM KPL | 0,77 kg |
| Material: | Steel, galvanized | Pc |



| Cat No | Designation | Weight |
|-----------|----------------------------|----------|
| 5PLZ120ZN | Hinge joint for 5ZB120 pin | 0,042 kg |
| Material: | INOX | Pc |

| Cat No | Designation | Weight |
|-----------|-----------------------|----------|
| 5PLZ70 A | Hinge joint 70/100 M8 | 0,032 kg |
| Material: | Aluminum | Pc |

4. Tarpaulin constructions, sliding roofs, CS pillars



Roof joints s. 46

Tarpaulin profile sockets s. 51

Tarpaulin constructions profiles s. 52

Sliding sides s. 56

Tarpaulin tensioning s. 58

Sliding roofs s. 65

Lifting roofs s. 69

Roof joints



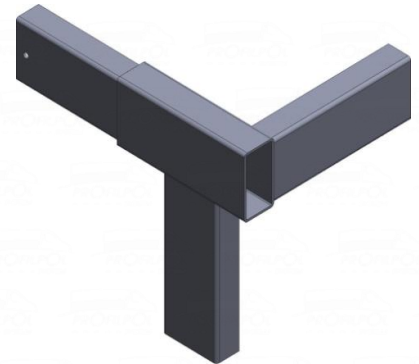
| Cat No | Designation | Weight |
|-----------|------------------------------------|--------|
| 4LPP6030 | Roof corner joint 6030 front right | 1,0 kg |
| Material: | Steel/ Galvanized | Pc |



| Cat No | Designation | Weight |
|-----------|-----------------------------------|--------|
| 4LPL6030 | Roof corner joint 6030 front left | 1,0 kg |
| Material: | Steel/ Galvanized | Pc |



| Cat No | Designation | Weight |
|-----------|-----------------------------------|--------|
| 4LTP6030 | Roof corner joint 6030 rear right | 1,0 kg |
| Material: | Steel/ Galvanized | Pc |



| Cat No | Designation | Weight |
|-----------|----------------------------------|--------|
| 4LTL6030 | Roof corner joint 6030 rear left | 1,0 kg |
| Material: | Steel/ Galvanized | Pc |



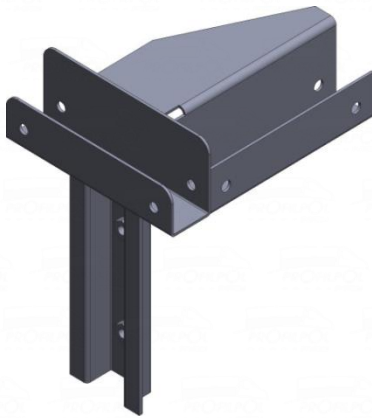
| Cat No | Designation | Weight |
|------------|-------------------|----------|
| 6ZP6030 | 60x30 profile cap | 0,011 kg |
| Material : | Plastik | Pc |

Roof joints



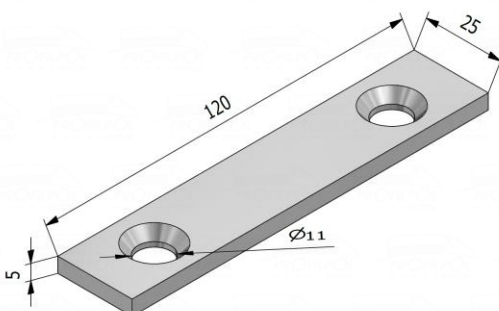
| Cat No | Designation | Weight |
|-----------|------------------------------------|---------|
| 4LPP8035 | Roof corner joint 8035 front right | 1,10 kg |
| Material: | Steel/ Galvanized | Pc |

| Cat No | Designation | Weight |
|-----------|-----------------------------------|---------|
| 4LPL8035 | Roof corner joint 8035 front left | 1,10 kg |
| Material: | Steel/ Galvanized | Pc |



| Cat No | Designation | Weight |
|-----------|----------------------------------|---------|
| 4LTL8035 | Roof corner joint 8035 rear left | 1,10 kg |
| Material: | Steel/ Galvanized | Pc |

| Cat No | Designation | Weight |
|-----------|-----------------------------------|---------|
| 4LTP8035 | Roof corner joint 8035 rear right | 1,10 kg |
| Material: | Steel/ Galvanized | Pc |



| Cat No | Designation | Weight |
|------------|------------------|----------|
| 4PL8035 AL | 8035 joint plate | 0,036 kg |
| Material : | Aluminium | Szt. |

Roof joints



| Cat No | Designation | Weight |
|-------------|--|---------|
| 4LG80352 PP | Roof corner joint for CS MINI pillar front right | 1,05 kg |
| Material: | Steel/ Galvanized | Pc |

| Cat No | Designation | Weight |
|-------------|---|---------|
| 4LG80352 PL | Roof corner joint for CS MINI pillar front left | 1,05 kg |
| Material: | Steel/ Galvanized | Pc |



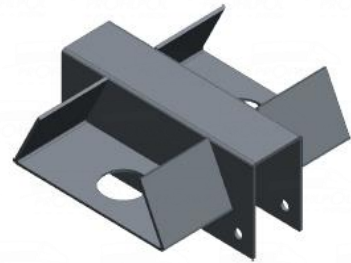
| Cat No | Designation | Weight |
|-------------|--|---------|
| 4LG80352 TL | Roof corner joint for CS MINI pillar rear left | 1,05 kg |
| Material: | Steel/ Galvanized | Pc |

| Cat No | Designation | Weight |
|-------------|---|---------|
| 4LG80352 TP | Roof corner joint for CS MINI pillar rear right | 1,05 kg |
| Material: | Steel/ Galvanized | Pc |

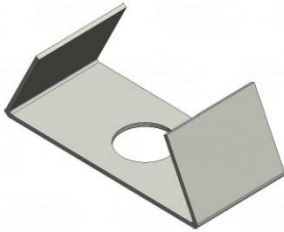
Roof joints



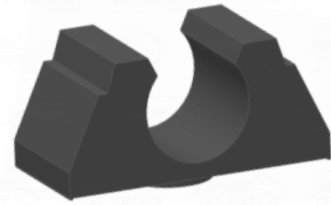
| Cat No | Designation | Weight |
|-----------|---------------------------|---------|
| 4UR35 | Tarpaulin tube end socket | 0,30 kg |
| Material: | Steel/ Galvanized | Pc |



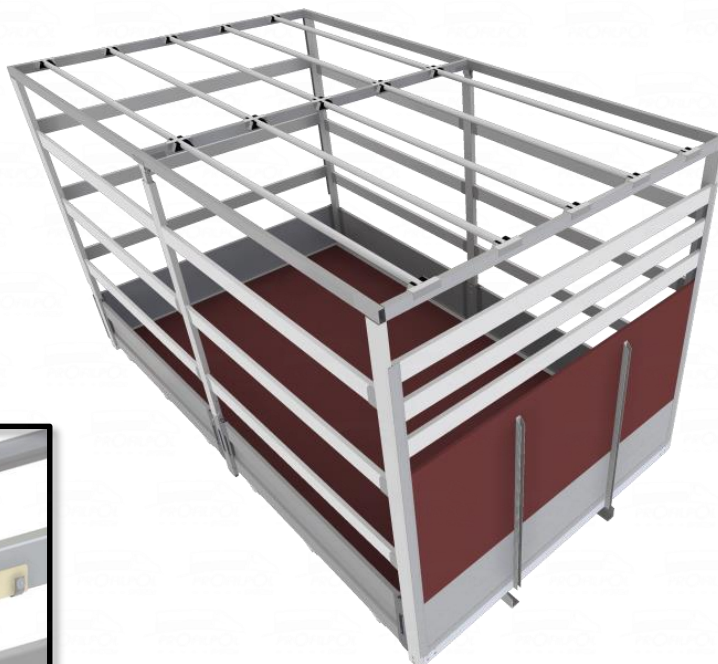
| Cat No | Designation | Weight |
|-----------|------------------------------|---------|
| 4URS35 | Tarpaulin tube middle socket | 0,45 kg |
| Material: | Steel/ Galvanized | Pc |



| Cat No | Designation | Weight |
|-----------|------------------------|---------|
| 4PUG35 | Socket plate for 4UG35 | 0,15 kg |
| Material: | Steel | Pc |



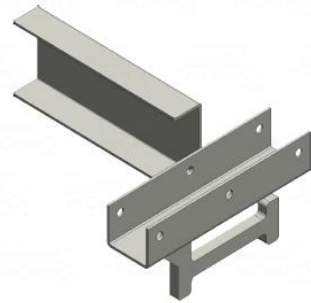
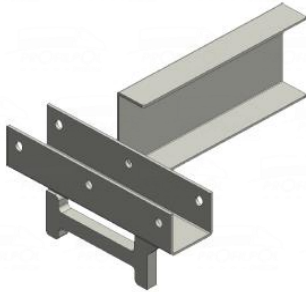
| Cat No | Designation | Weight |
|------------|------------------------------|---------|
| 4UG35 | Rubber tarpaulin tube socket | 0,16 kg |
| Material : | Guma | Pc |



Roof joints

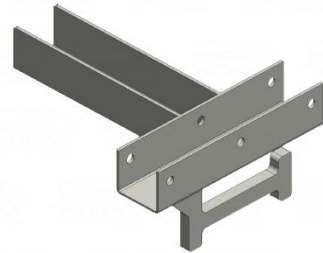


| Cat No | Designation | Weight |
|-----------|-------------------|----------|
| 4CZB ZN | Locking pin | 0,025 kg |
| Material: | Steel/ Galvanized | Pc |



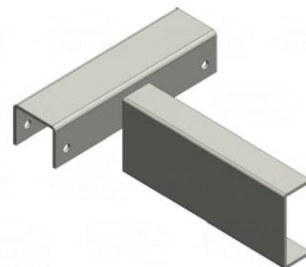
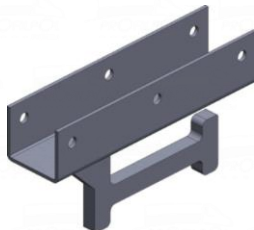
| Cat No | Designation | Weight |
|--------------|-----------------------|---------|
| 4TSK3554L ZN | Top joint kombi, left | 0,50 kg |
| Material: | Steel/ Galvanized | Pc |

| Cat No | Designation | Weight |
|---------------|------------------------|---------|
| 4TSK3554 P ZN | Top joint kombi, right | 0,50 kg |
| Material: | Steel/ Galvanized | Pc |



| Cat No | Designation | Weight |
|--------------|-----------------------|---------|
| 4TSK3535L ZN | Top joint kombi, left | 0,50 kg |
| Material: | Steel/ Galvanized | Pc |

| Cat No | Designation | Weight |
|--------------|------------------------|---------|
| 4TSK3535P ZN | Top joint kombi, right | 0,50 kg |
| Material: | Steel/ Galvanized | Pc |



| Cat No | Designation | Weight |
|-----------|-------------------|---------|
| 4TS35 U | Top joint Uni | 0,30 kg |
| Material: | Steel/ Galvanized | Pc |

| Cat No | Designation | Weight |
|------------|-------------------------|---------|
| 4LP6030 ZN | Crossbar joint for roof | 0,40 kg |
| Material: | Steel/ Galvanized | Pc |

Roof joints



| Cat No | Designation | Weight |
|-----------|----------------------|---------|
| 4TS35B.1 | Top joint, left side | 0,30 kg |
| Material: | Steel/ Galvanized | Pc |

| Cat No | Designation | Weight |
|-----------|-----------------------|---------|
| 4TS35B.2 | Top joint, right side | 0,30 kg |
| Material: | Steel/ Galvanized | Pc |

Tarpaulin profile sockets



| Cat No | Designation | Weight |
|-----------|----------------------------------|----------|
| 4KDSP | Tarpaulin profile socket to weld | 0,163 kg |
| Material: | Steel | Pc |

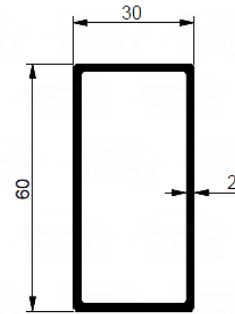
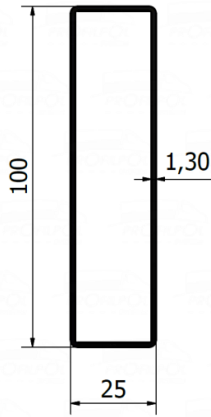
| Cat No | Designation | Weight |
|-----------|-----------------------------------|----------|
| 4KDSN | Tarpaulin profile socket to rivet | 0,198 kg |
| Material: | Steel/ Galvanized | Pc |



| Cat No | Designation | Weight |
|-----------|-----------------------------------|---------|
| 4KDSN RAL | Tarpaulin profile socket to rivet | 0,20 kg |
| Material: | Steel/ Galvanized | Pc |

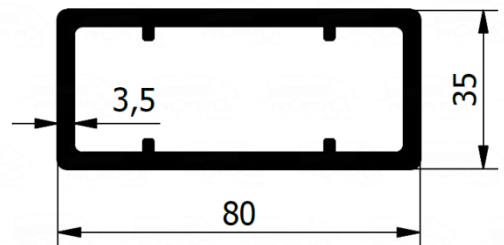
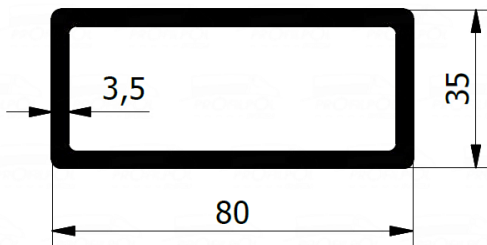
| Cat No | Designation | Weight |
|------------|-----------------------------------|----------|
| 4KDSA | Tarpaulin profile socket to rivet | 0,060 kg |
| Material : | Aluminium | Pc |

Tarpaulin constructions profiles



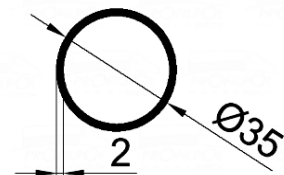
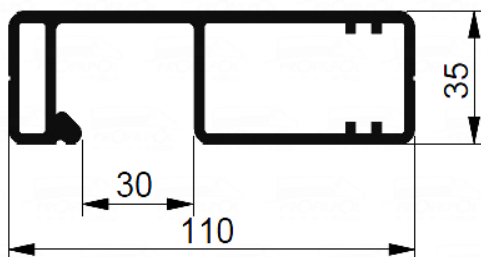
| Cat No | Designation | Weight |
|------------|--------------------------|------------|
| 22.21.546 | Tarpaulin profile 100x25 | 0,852 kg/m |
| Material : | Aluminium | Mb |

| Cat No | Designation | Weight |
|------------|---------------|-----------|
| 22.21.475 | 60x30 profile | 0,93 kg/m |
| Material : | Aluminium | Mb |



| Cat No | Designation | Weight |
|------------|------------------|------------|
| 22.22.956 | 80x35 profile | 2,040 kg/m |
| Material : | Aluminium /Anoda | L-5,1 m |

| Cat No | Designation | Weight |
|------------|------------------|------------|
| 22.22.4281 | 80x35 profile | 2,103 kg/m |
| Material : | Aluminium /Anoda | L-5,1 m |

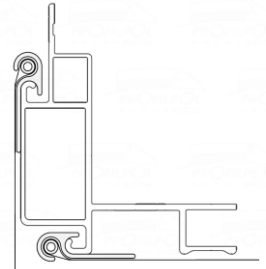
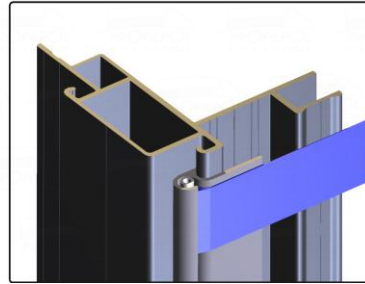
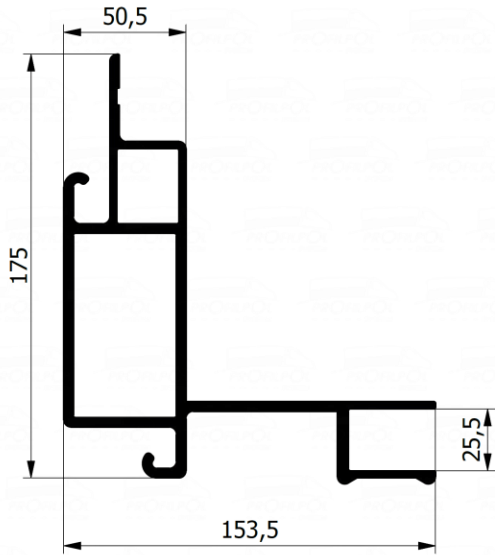


| Cat No | Designation | Weight |
|------------|------------------------|---------------|
| 22.22.4342 | CS MINI profile 110x35 | 2,915 kg/m |
| Material : | Aluminium /Anoda | L- 2,5; 3,0 m |

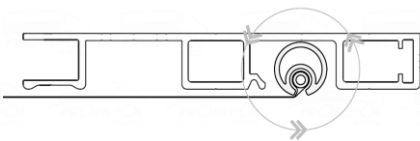
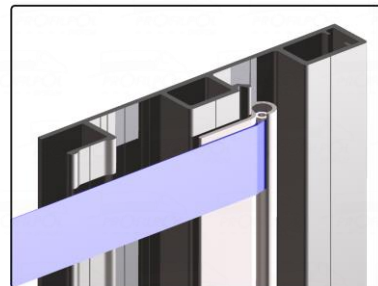
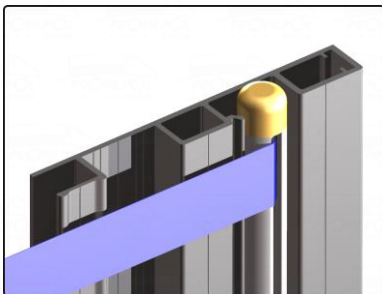
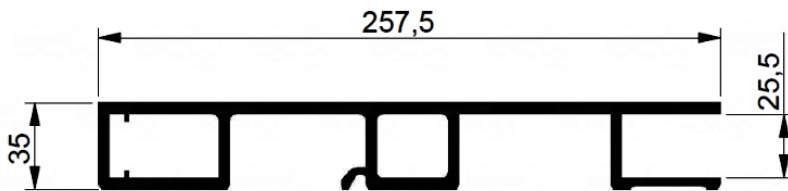
| Cat No | Designation | Weight |
|------------|---------------------------------|-----------|
| 22.21.667 | Tarpaulin tube $\varnothing 35$ | 0,53 kg/m |
| Material : | AL, Surowy | L-5,0 m |

Tarpaulin constructions profiles

1.



2.

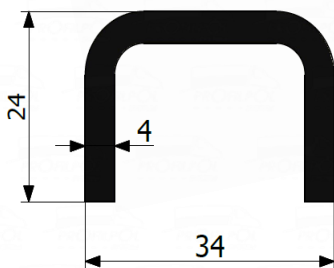
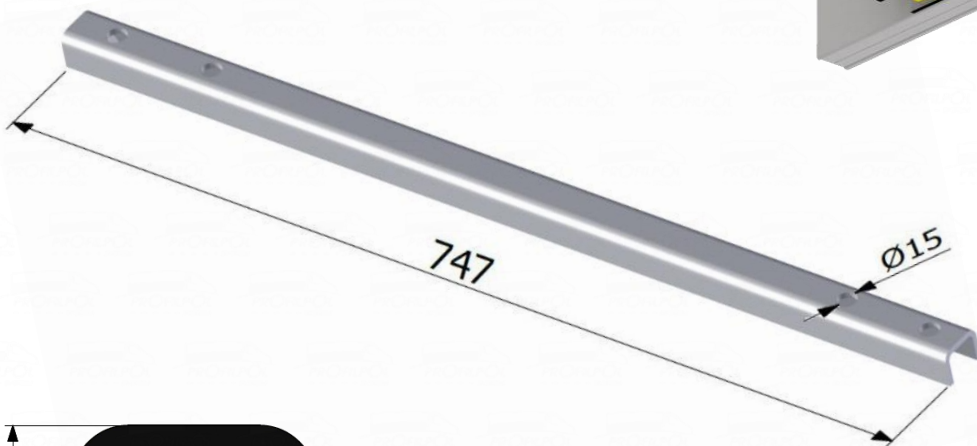
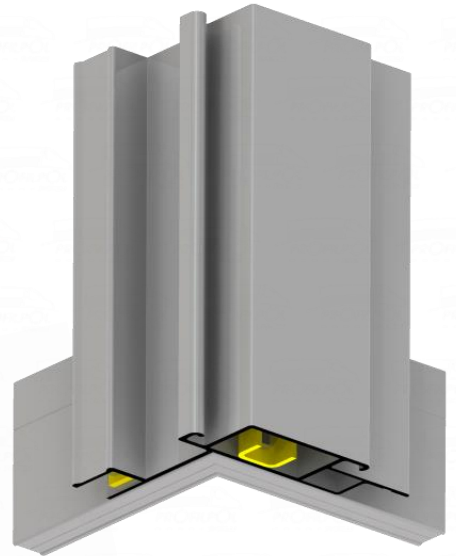
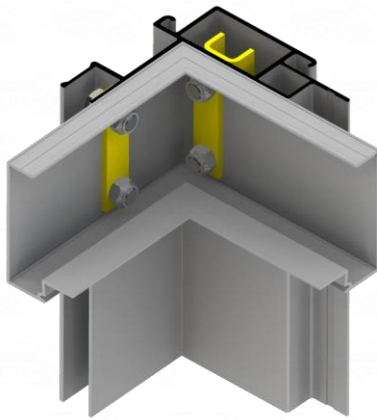


| Nr rysunku | Cat No | Designation | Weight kg/m | Length | Material |
|------------|-----------|-----------------------------|-------------|----------|-----------|
| 1. | 22.22.862 | CS MAX front pillar profile | 6,301 | L= 3,3 m | AL, Anoda |
| 2. | 22.22.863 | CS MAX rear pillar profile | 6,352 | L= 3,3 m | AL, Anoda |

Tarpaulin constructions profiles

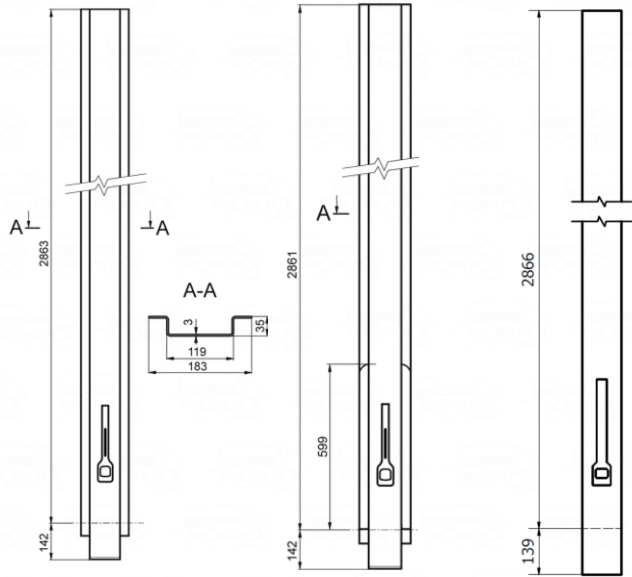
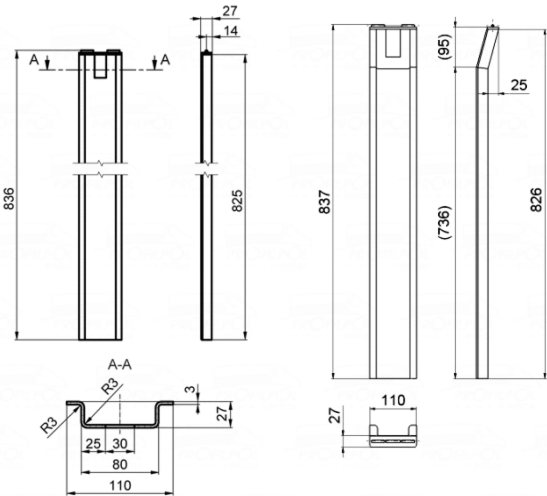
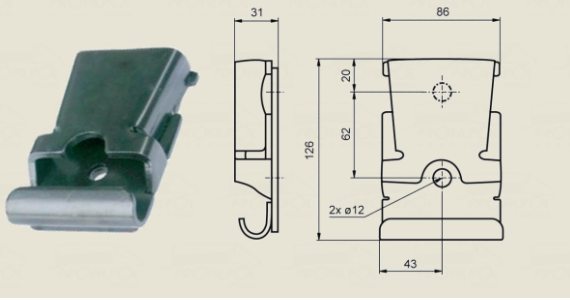
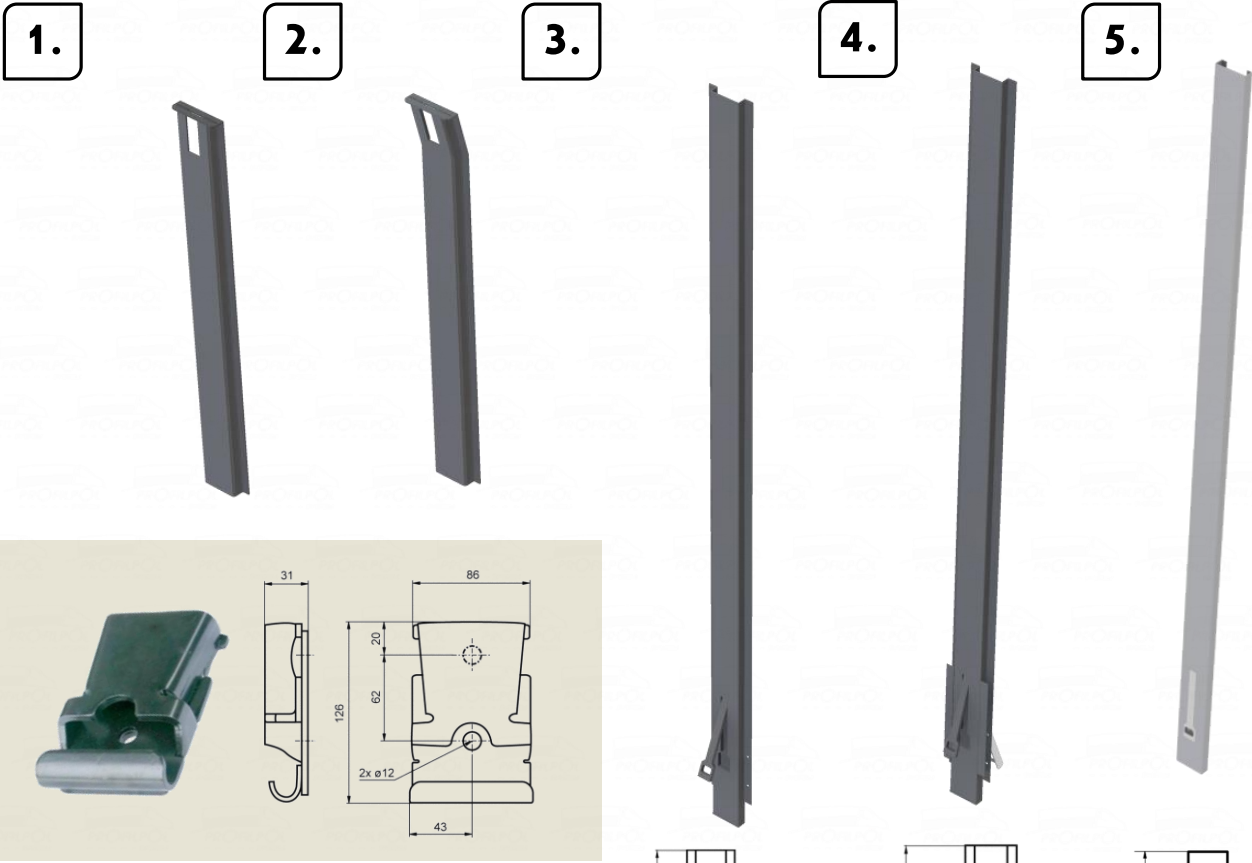


| Cat No | Designation | Weight |
|-----------|-------------------------------------|---------|
| 42WS8035 | Pillar reinforcement 35x35 x 352 | 0,55 kg |
| Material: | Steel/ Galvanized | Pc |



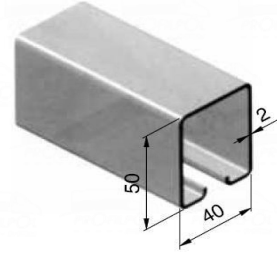
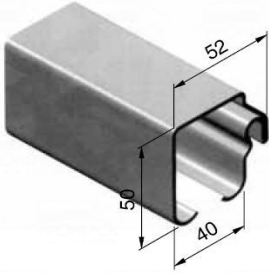
| Cat No | Designation | Weight |
|-------------|-----------------------------|---------|
| 42WS 750 WG | CS MAX pillar reinforcement | 1,20 kg |
| Material: | Steel/ Galvanized | Pc |

Tarpaulin constructions profiles



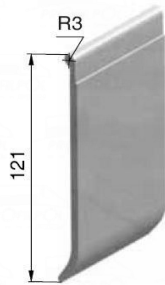
| No. | Cat No | Designation | Material | H mm | Weight kg/set. |
|-----|----------|---------------------------|-----------|------|----------------|
| 1. | 51836000 | Statyw słupka CS | Stal/Zn | 836 | 3 |
| 2. | 51837000 | Statyw słupka CS | Stal/Zn | 837 | 3,06 |
| 3. | 51183353 | Słupek CS 3000 bez zakoń. | Stal/Zn | 3000 | 22,5 |
| 4. | 51283353 | Słupek CS 3000 z zakoń. | Stal/Zn | 3000 | 24 |
| 5. | 51328353 | Słupek CS 3000 bez zakoń. | Aluminium | 3000 | 13,7 |

Sliding sides

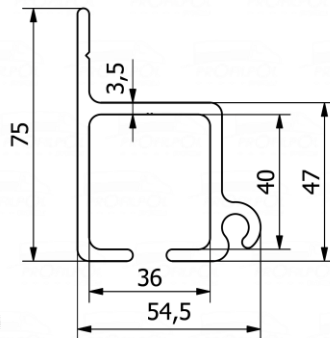


| Cat No | Designation | Weight |
|-------------|--------------------------------|------------|
| 4PFS5052 PU | Guide rail with sealing groove | 2,96 kg/m |
| Material : | Steel/ Galvanized | L - 7,80 m |

| Cat No | Designation | Weight |
|------------|-----------------------------------|------------|
| 4PFS5040BU | Guide rail without sealing groove | 2,5 kg/m |
| Material : | Steel/ Galvanized | L - 7,80 m |

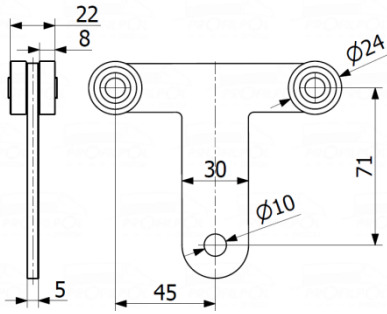


| Cat No | Designation | Weight |
|------------|--------------------|-----------|
| 6UP505256 | Guide rail sealing | 0,64 kg/m |
| Material : | Rubber | L - 56M |

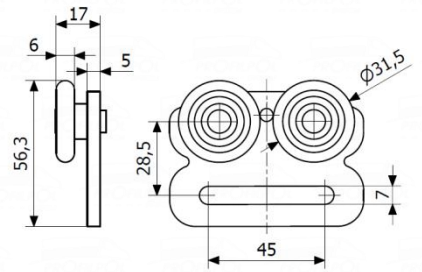
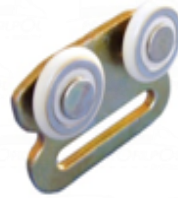


| Cat No | Designation | Weight |
|------------|--------------------------------|------------|
| 22.21.413 | Guide rail with sealing groove | 1,98 kg/m |
| Material : | Aluminum | L - 7,80 m |

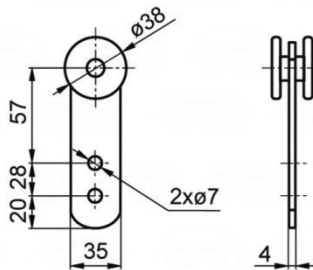
Sliding sides



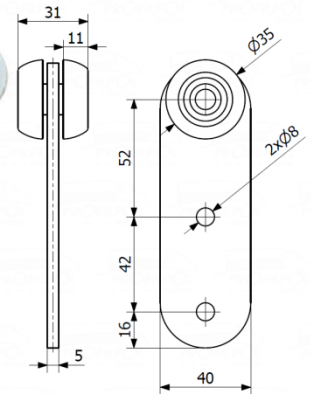
| Cat No | Designation | Weight |
|-----------|---------------------------|----------|
| 4WSCSMAX | CS MAX trolley for pillar | 0,252 kg |
| Material: | Steel/ Galvanized | Pc |



| Cat No | Designation | Weight |
|-----------|------------------------------|----------|
| 4WPLCS | CS MAX trolley for tarpaulin | 0,178 kg |
| Material: | Steel/ Galvanized/PVC | Pc |



| Cat No | Designation | Weight |
|-----------|------------------------|---------|
| 4WPS50 | Trolley for guide rail | 0,23 kg |
| Material: | Steel/ Galvanized | Pc |



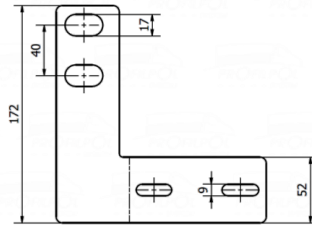
| Cat No | Designation | Weight |
|-----------|----------------------------|---------|
| 4WPP50 | PVC trolley for guide rail | 0,21 kg |
| Material: | Steel/ Galvanized/PVC | Pc |

Tarpaulin tensioning

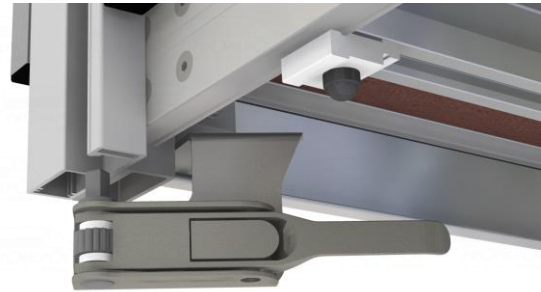
L



P



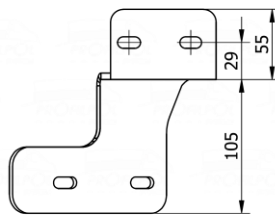
| Cat No | Designation | Weight kg |
|-----------|----------------------------------|-----------|
| 44BN1.1 | Tensioner baseholder, left side | 0,6 |
| 44BN1.2 | Tensioner baseholder, right side | 0,6 |
| Material: | Steel/ Galvanized | Pc |



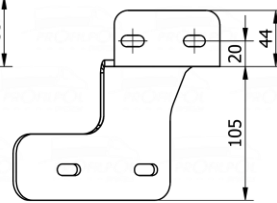
L



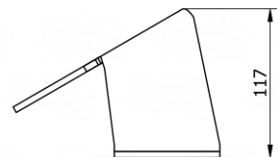
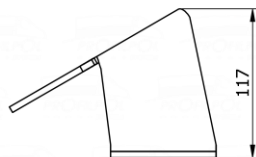
System 90



System 70



P



| Cat No | Designation | Weight kg |
|--------------|---|-----------|
| 44BN70.110.1 | Tensioner baseholder, for 70 system, left side | 0,814 |
| 44BN70.110.2 | Tensioner baseholder, for 70 system, right side | 0,814 |
| 44BN90.135.1 | Tensioner baseholder, for 90 system, left side | 0,850 |
| 44BN90.135.2 | Tensioner baseholder, for 90 system, right side | 0,850 |
| Material: | Steel/ Galvanized | Pc |

Tarpaulin tensioning

L

P



| Cat No | Designation | Weight kg |
|-----------|-------------------------------|-----------|
| 44NRHPWPL | Ratchet tensioner- left side | 1,17 |
| 44NRHPWPP | Ratchet tensioner- right side | |
| Material: | Steel/ Galvanized | Pc |

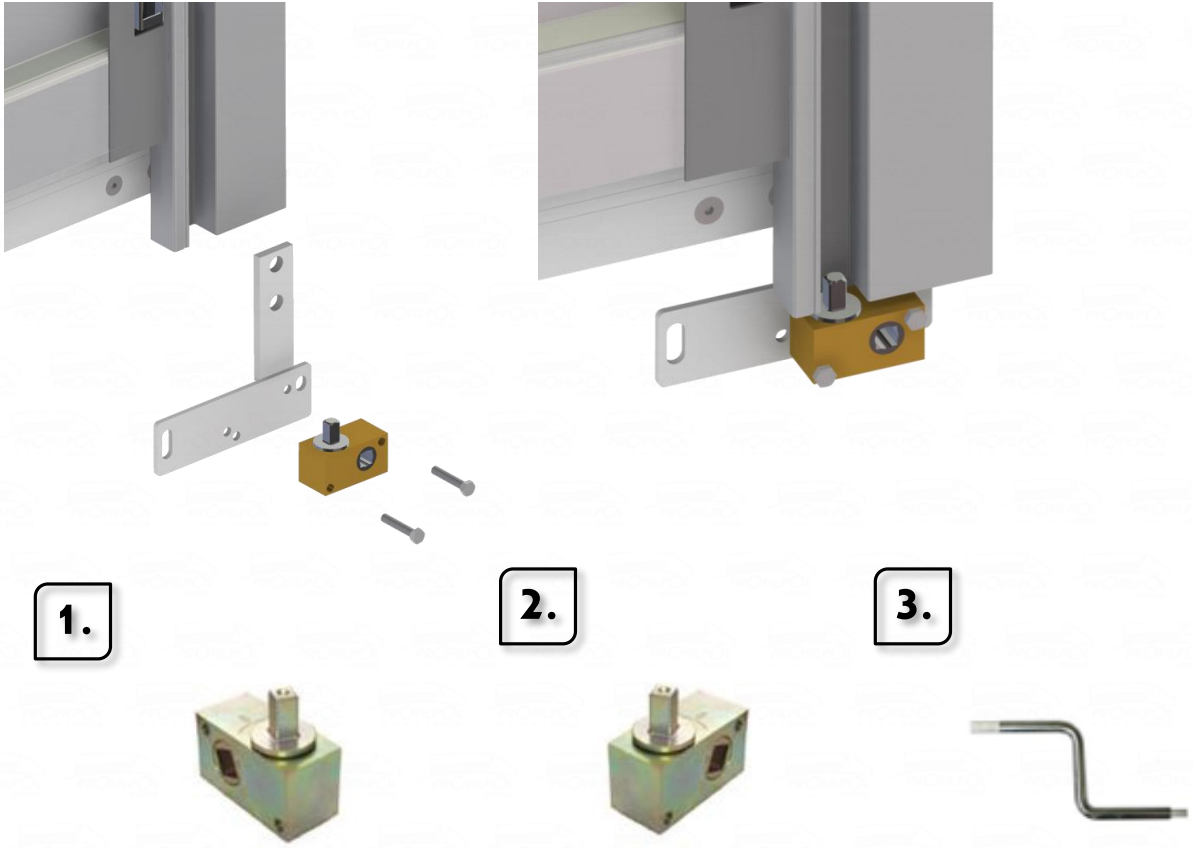
L

P



| Cat No | Designation | Weight kg |
|--------------|---------------------------------------|-----------|
| 4415302069NV | Ratchet tensioner- left side, geomet | 1,24 |
| 4415302068NV | Ratchet tensioner- right side, geomet | |
| Material: | Steel/ Galvanized/ geomet | Pc |

Tarpaulin tensioning

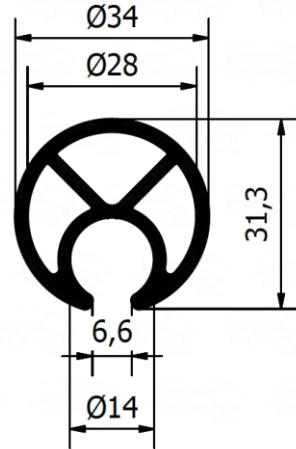


| Nr rys. | Cat No | Designation | Weight kg |
|---------|-----------|----------------------------|-----------|
| 1. | 47NKHR-L | Cube tensioner- left side | 0,7 |
| 2. | 47NKHR-P | Cube tensioner- right side | |
| 3. | 47KNKHR | Strainer crank | 0,54 |
| | Material: | Steel/ Galvanized | Pc |



| Nr rys. | Cat No | Designation | Weight kg |
|---------|-----------|-----------------------------------|-----------|
| 4. | 48BNP-L | Tensioner- baseholder- left side | 0,75 |
| 5. | 48BNP-P | Tensioner- baseholder- right side | 0,75 |
| | Material: | Steel/ Galvanized | Pc |

Tarpaulin tensioning



| Nr katalogowy | Nazwa | H mm | Waga kg |
|---------------|----------------------------------|------|---------|
| 22.21.034 | Tarpaulin tensioning tube ø34 | 3300 | 3,86 |
| Material : | Aluminium | | Pc |

1.

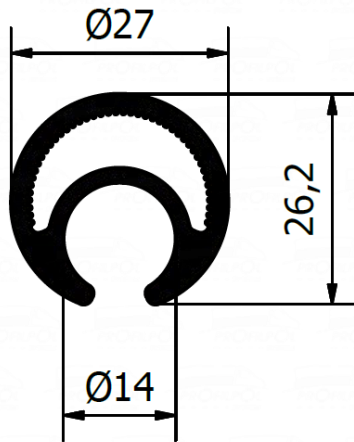


2.



| Nr rys. | Cat No | Designation | Weight kg |
|---------|------------|-----------------------------|-----------|
| 1. | 49KG34S | Top end cap for ø34 tube | 0,11 |
| 2. | 49KD34S | Bottom end cap for ø34 tube | 0,17 |
| | Material : | Mosiądz | Pc |

Tarpaulin tensioning



| Nr katalogowy | Nazwa | H mm | Waga kg |
|---------------|----------------------------------|------|---------|
| 22.21.027 | Tarpaulin tensioning tube Ø27 | 3300 | 2,079 |
| Material : | Aluminium | | Pc |

1.



2.



3.



4.



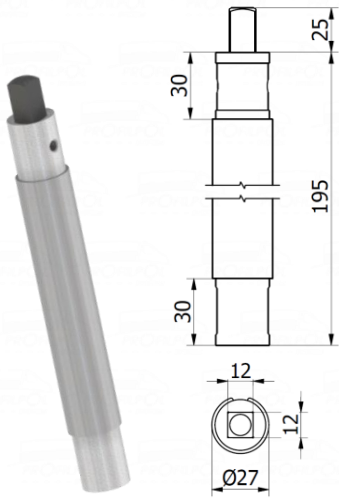
5.



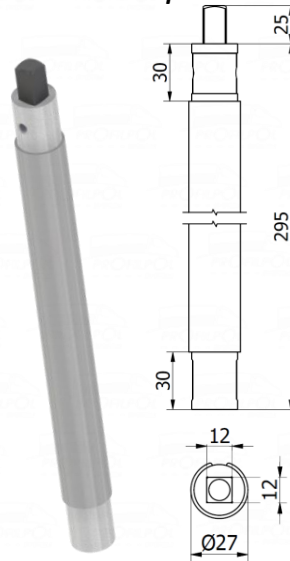
| No | Cat No | Designation | Weight kg |
|----|-------------|---------------------------------|-----------|
| 1. | 49KD27HR ZN | Bottom end cap for ø27 tube, HR | 0,12 |
| 2. | 49KG27S | Top end cap for ø27 tube | 0,13 |
| 3. | 49KD27 S | Bottom end cap for ø27 tube | 0,13 |
| 4. | 49KD27.1 | Bottom end cap for ø27 tube | 0,13 |
| 5. | 4AN27 | Adaptor for lifting, ø27 tube | 0,19 |
| | Material: | Steel/ Galvanized/ Geomet | Pc |

Tarpaulin tensioning

1.

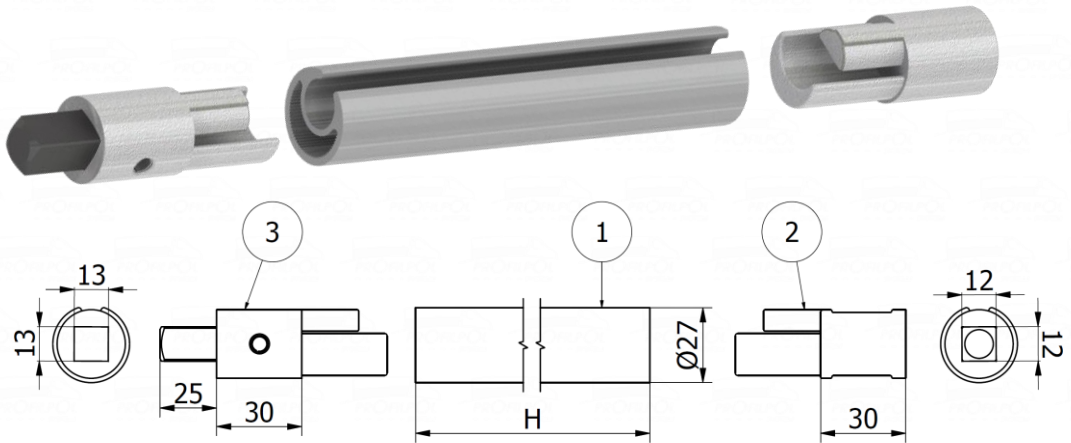


2.



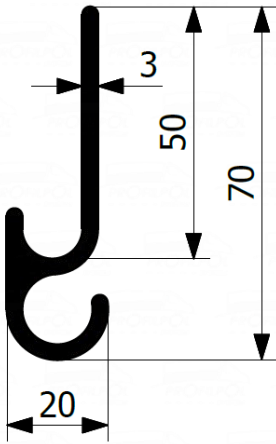
| No | Cat No | Designation | H mm | Waga kg |
|-----------|----------|------------------------------------|------|---------|
| 1. | 4PN195.1 | Tensioning extension 195 mm, FI 27 | 195 | 0,35 |
| 2. | 4PN295.1 | Tensioning extension 295 mm, FI 27 | 295 | 0,45 |
| Material: | | Steel/ Galvanized/ Aluminum | Pc | |

3.



| No | Cat No | Designation | | |
|----------|----------------------|--|------------------|-----------|
| 3. | 4PN27.2 | Tensioning extension FI 27 - kit | | |
| Elements | | Designation | H mm | Weight kg |
| No | | | | |
| ① | 22.21.027 | Tarpaulin tensioning tube $\varnothing 27$ | 3300 mm | 2,079 |
| ② | 49KD27.1 (49KD27) | Bottom end cap for $\varnothing 27$ tube | 30 mm (28 mm) | 0,13/szt |
| ③ | 4AN27 | Adaptor for lifting, $\varnothing 27$ tube | 30 mm | 0,19/szt. |

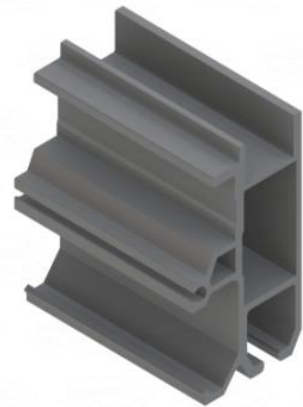
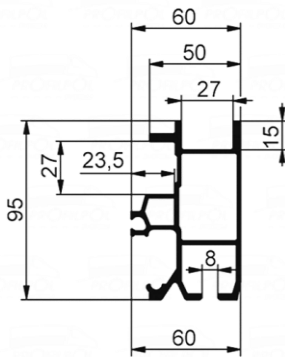
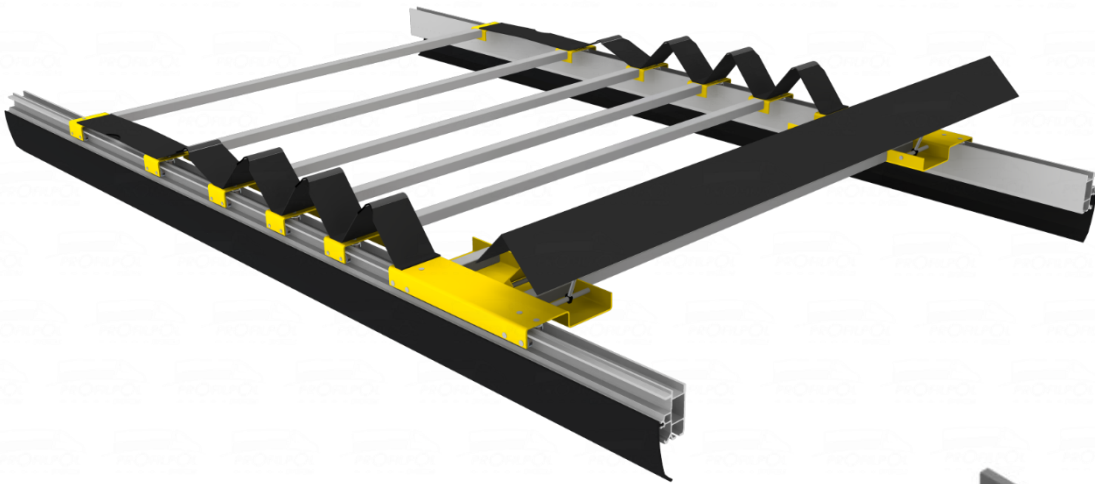
Tarpaulin tensioning



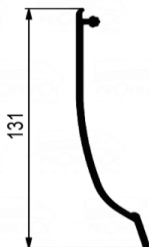
| Cat No | Designation | Weight |
|------------|---------------------|------------|
| 22.21.133 | Hook for tensioning | 0,943 kg/m |
| Material : | Aluminium | L- 3,2 m |



Sliding roofs

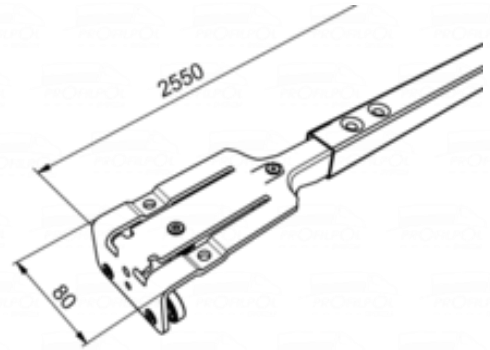


| Cat No | Designation | Length | Weight kg/m |
|-----------|-----------------------------|-----------|-------------|
| 25PS4500 | Slimliner roof profile 4500 | L=4,50 m | 3,178 |
| 25PS500 | Slimliner roof profile 5000 | L=5,00 m | |
| 25PS530 | Slimliner roof profile 5300 | L= 5,30 m | |
| 25PS6300 | Slimliner roof profile 6300 | L= 6,30 m | |
| Material: | Aluminum | | Pc |

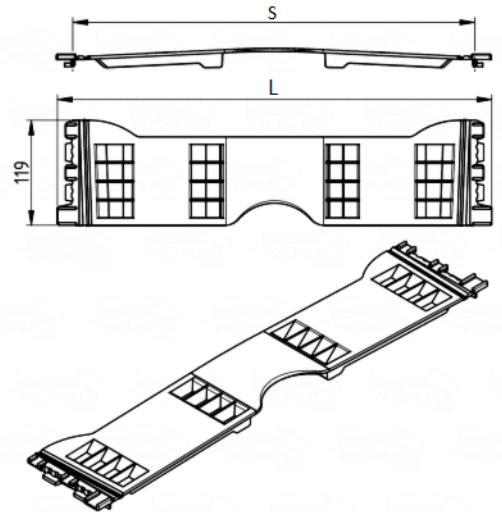


| Cat No | Designation | Length | Weight kg/m |
|------------|----------------------------|-----------|-------------|
| 25SC150014 | Tarpaulin seal 14 M, black | L =14,0 m | 0,43 |
| Material: | Rubber | | Pc |

Sliding roofs

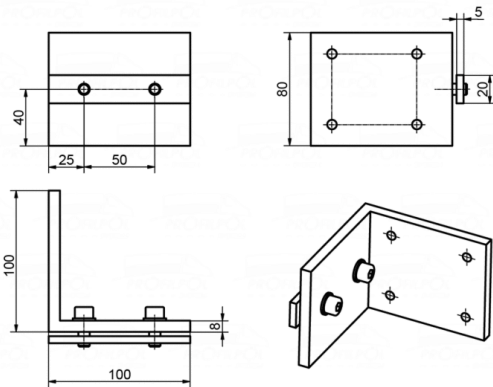


| Cat No | Designation | Weight |
|------------|-----------------------|-------------|
| 25SC120001 | Sliding roof crossbar | 4,33 kg |
| Material: | Steel/ Galvanized | L – 2550 mm |

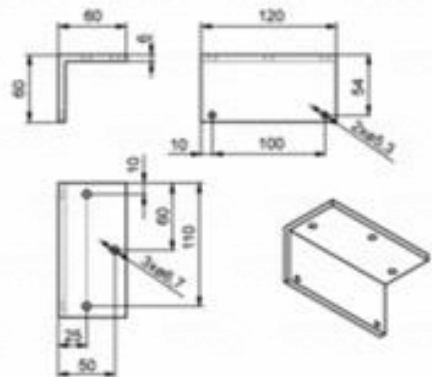


| Nr katalogowy | Nazwa | Długość L | Wymiar S | Waga |
|---------------|-------------------------|-----------|----------|----------|
| 25SC110692 | Plastic hinge Slimliner | 687 mm | 655 mm | 0,216 kg |
| Material: | | PVC | | |

Sliding roofs



| Cat No | Designation | Weight |
|-------------|---------------------|---------|
| 25NDS801008 | Front plate bracket | 0,35 kg |
| Material : | aluminium | Pc |



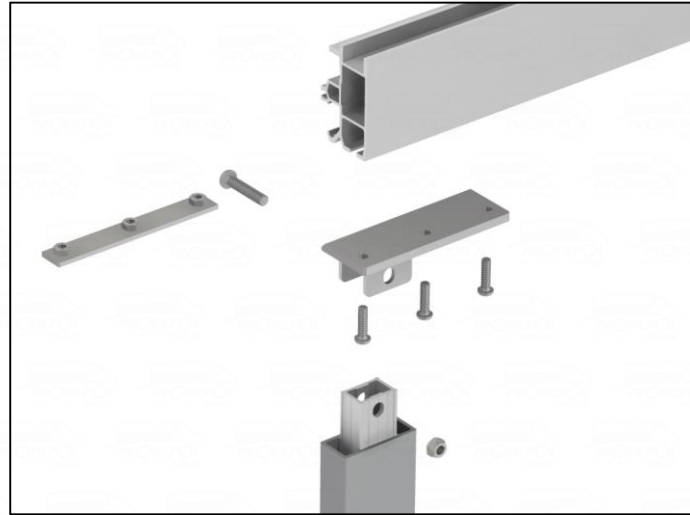
| Cat No | Designation | Weight |
|------------|---------------------|---------|
| 25ND120603 | Front plate bracket | 0,55 kg |
| Material : | aluminium | Pc |



| Cat No | Designation | Weight |
|------------|---------------------------|-----------|
| 25TSC2400 | Roof opening pole 2400 mm | 3,20 kg |
| Material : | Stal : Zn | L=2400 mm |

| Cat No | Designation | Weight |
|-----------|----------------------------|-----------|
| 25PDS130 | Slimliner end plate 130 mm | 15,64 kg |
| Material: | Steel/ RAL | L=2550 mm |

Sliding roofs

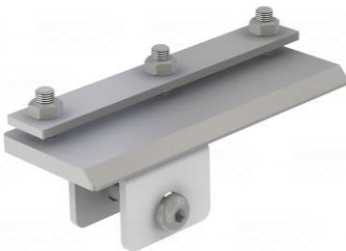


| Cat No | Designation | Weight |
|--------------|------------------------|---------|
| 25SC6070 UNI | Sliding roof joint UNI | 0,70 kg |
| Material: | Steel/ Galvanized | Pc |



| Cat No | Designation | Weight |
|--------------|--------------------------|----------|
| 25SC13060 ZL | Sliding roof joint, left | 0,804 kg |
| Material: | Steel/ Galvanized | Pc |

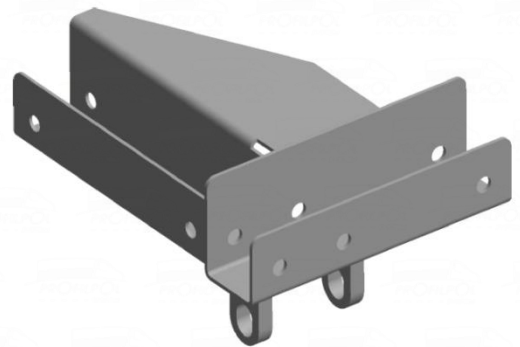
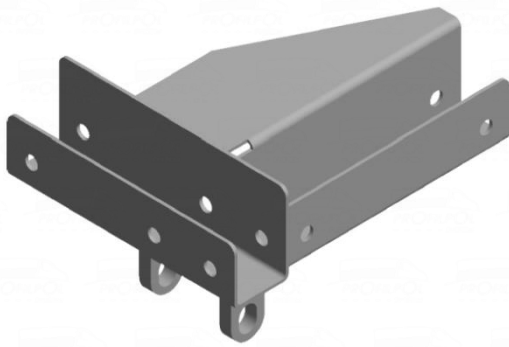
| Cat No | Designation | Weight |
|--------------|---------------------------|----------|
| 25SC13060 ZP | Sliding roof joint, right | 0,804 kg |
| Material: | Steel/ Galvanized | Pc |



| Cat No | Designation | Weight |
|------------|------------------------------------|---------|
| 4LG16060.1 | Sliding roof joint UNI for lifting | 0,76 kg |
| Material: | Steel/ Galvanized | Pc |

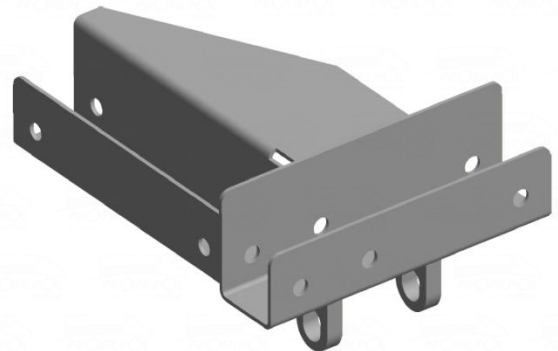
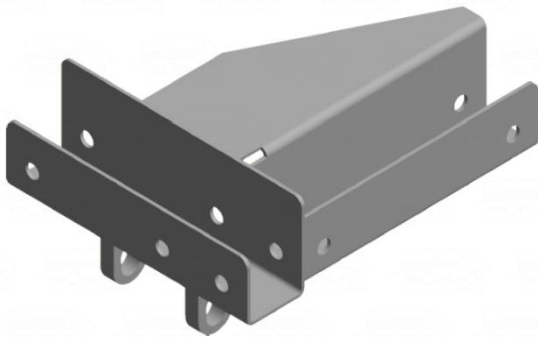
| Cat No | Designation | Weight |
|------------|------------------------------------|---------|
| 4LG16060.2 | Sliding roof joint UNI for lifting | 0,76 kg |
| Material: | Steel/ Galvanized | Pc |

Podnoszenie dachu



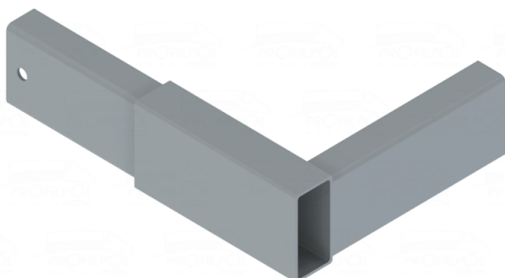
| Cat No | Designation | Weight |
|-------------|--|----------|
| 4LGP80351 P | Lifting roof corner joint 8035 - front right | 0,764 kg |
| Material: | Steel/ Galvanized | Pc |

| Cat No | Designation | Weight |
|-------------|---|----------|
| 4LGP80351 L | Lifting roof corner joint 8035 - front left | 0,764 kg |
| Material: | Steel/ Galvanized | Pc |



| Cat No | Designation | Weight |
|-------------|--|----------|
| 4LGT80351 L | Lifting roof corner joint 8035 – rear left | 0,764 kg |
| Material: | Steel/ Galvanized | Pc |

| Cat No | Designation | Weight |
|-------------|--|----------|
| 4LGT80351 P | Lifting roof corner joint 8035 - front right | 0,764 kg |
| Material: | Steel/ Galvanized | Pc |



| Cat No | Designation | Weight |
|------------|----------------------------|---------|
| 4LU6030 ZN | Roof corner joint UNI 6030 | 0,71 kg |
| Material: | Steel/ Galvanized | Pc |

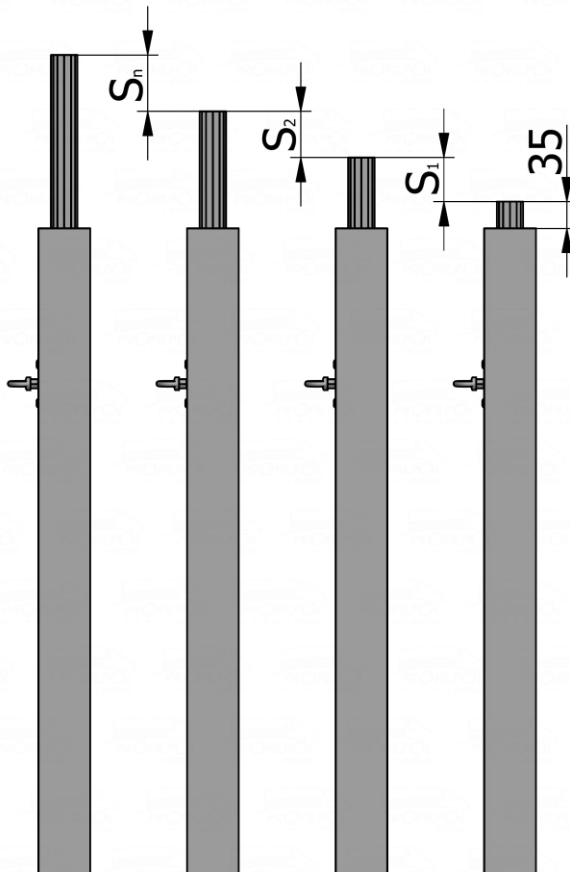
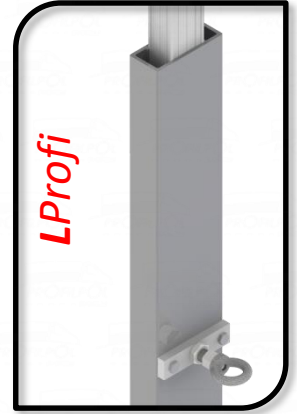
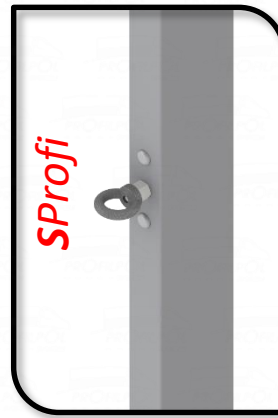
Lifting roofs

Lifting roof mechanisms SProfi / LProfi

Different installing ways of release mechanism

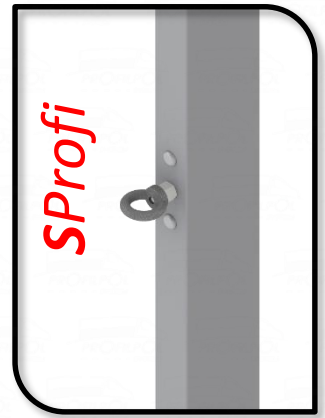
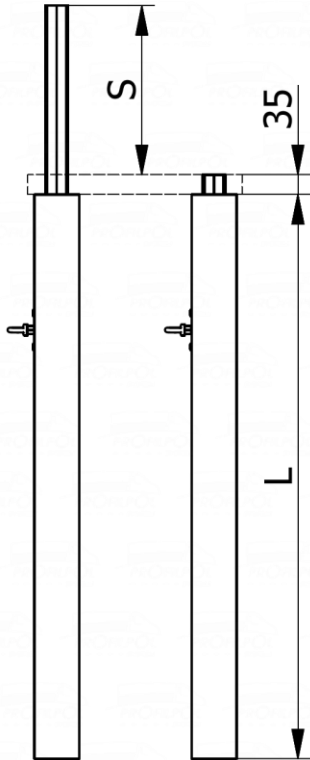
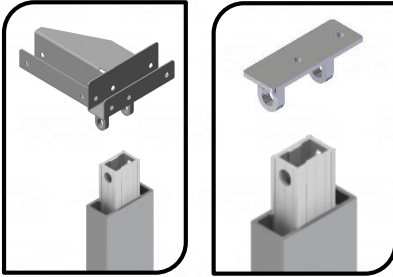
SProfi - the release is on the smaller side of 80x35 profile

LProfi - the release is on the wider side of the 80x35 profile



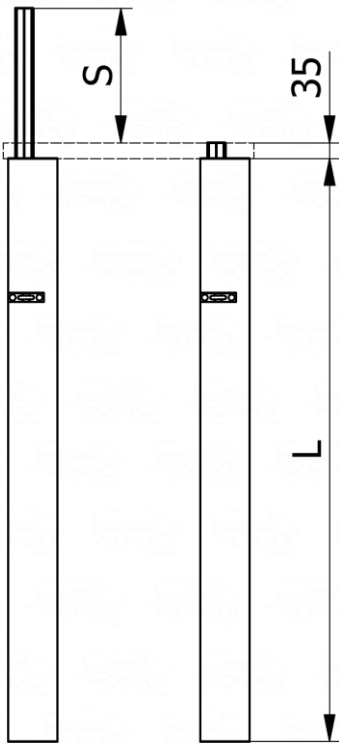
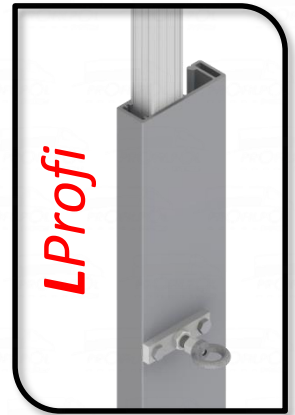
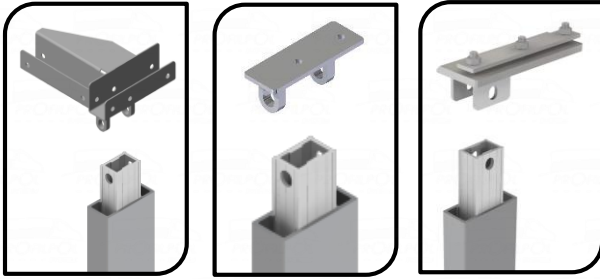
Lifting roofs

Pneumatic lifting.



| Cat No | Designation | Displacement | Release |
|------------|---------------------------------------|--------------|---------|
| 25.SPD200G | Lifting roof pillar, PNEUMATIC, 80x35 | S<200 | Lprofi |
| | | | SProfi |
| Material: | Aluminum/ Steel/ Galvanized | Set | |

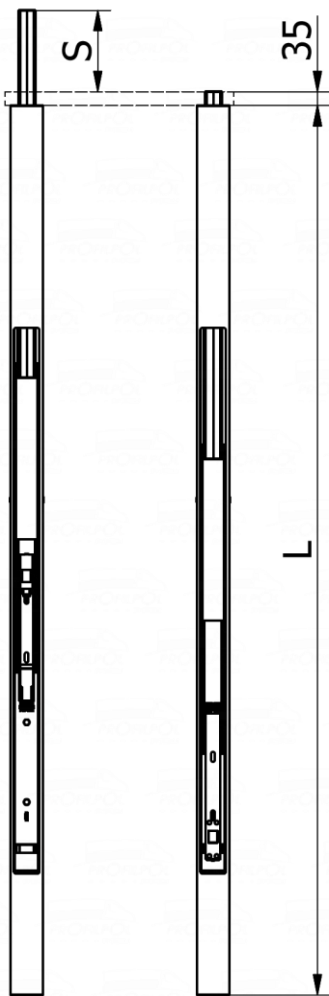
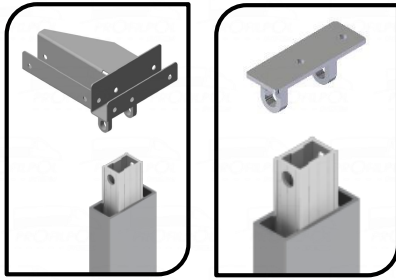
Lifting roofs

Pneumatic lifting.

| Cat No | Designation | Displacement | Release |
|---------------|---|-----------------|---------|
| 25SPDFCS250.1 | Lifting roof pillar, PNEUMATIC, CS MINI | S<200 | Lprofi |
| Material: | Aluminum/ Steel/ Galvanized | Set | |

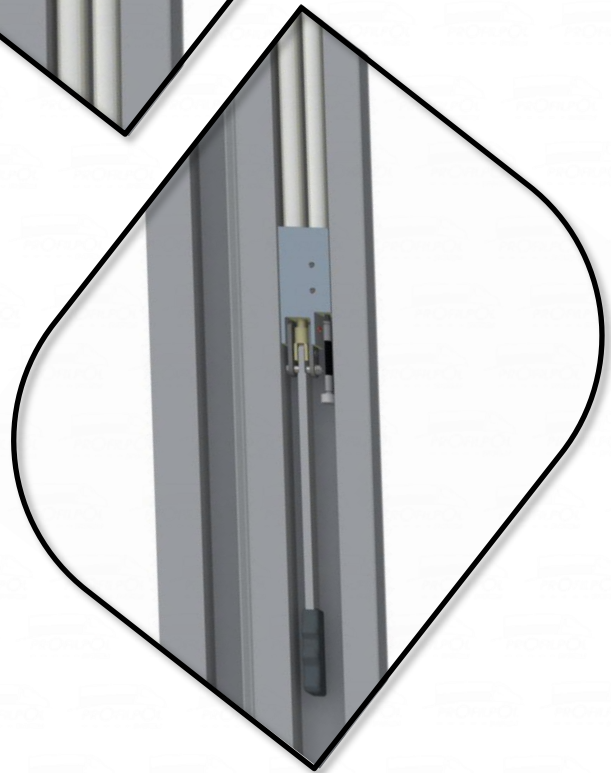
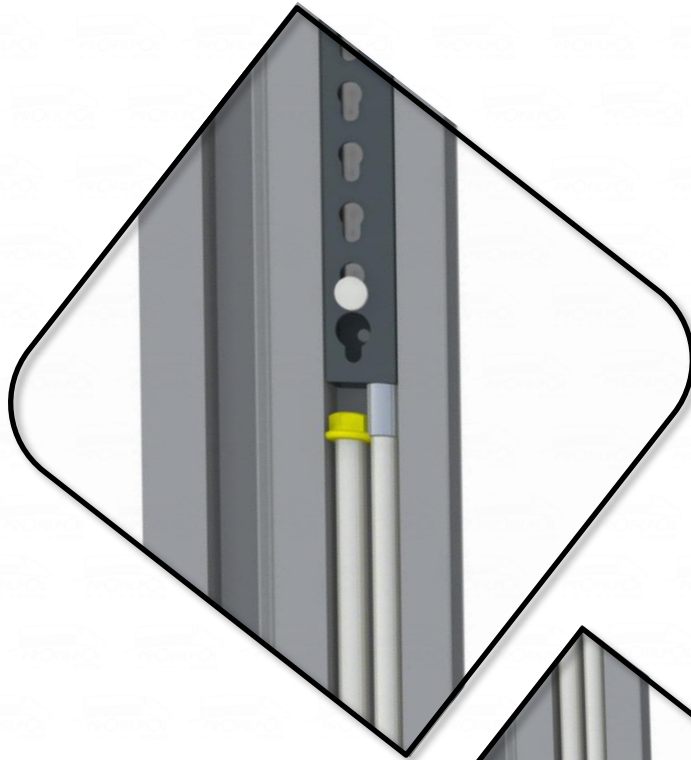
Lifting roofs

Mprofi- the mechanical lifting.



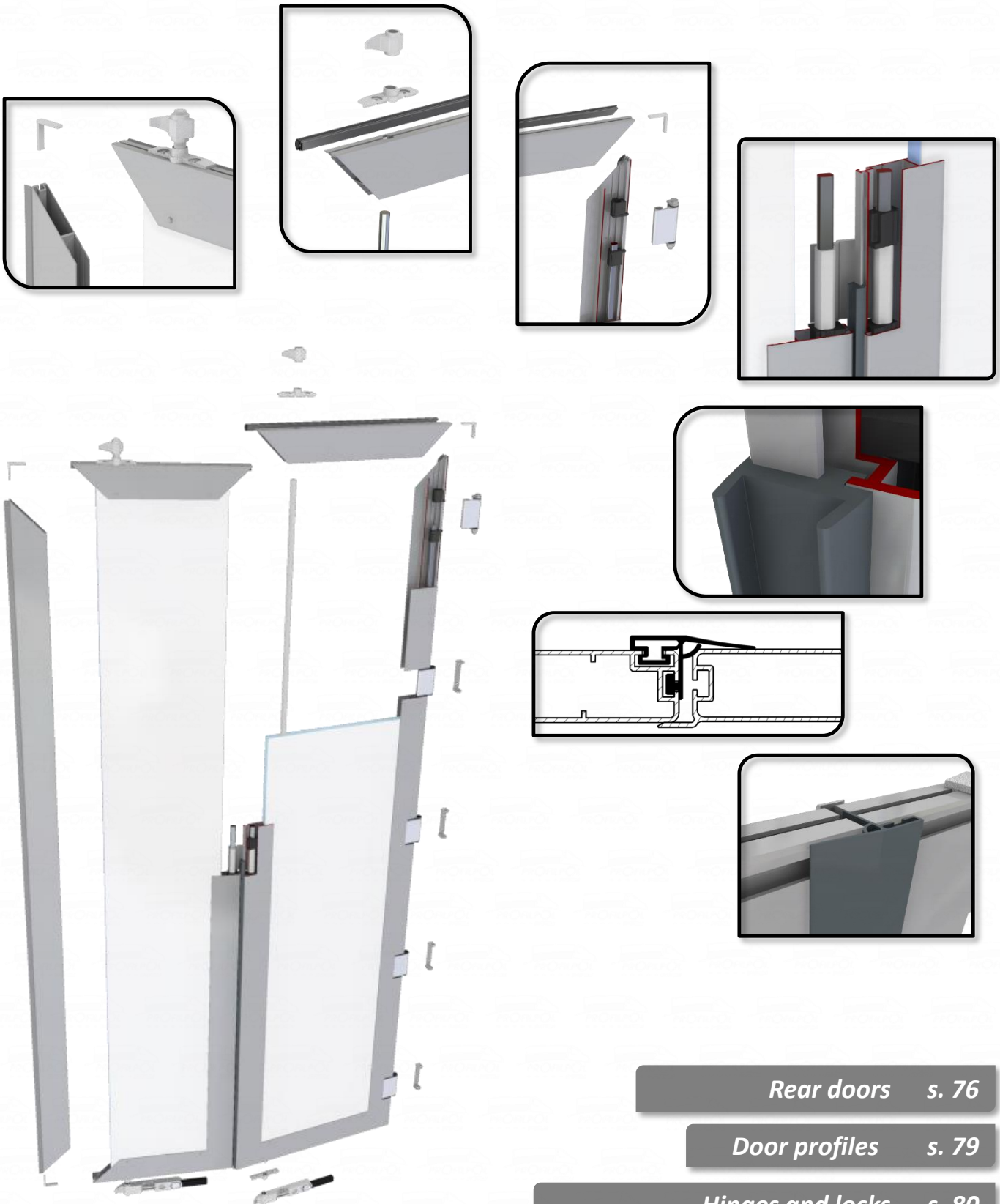
| Cat No | Designation | Displacement | Release |
|------------|-----------------------------|-----------------------------|------------|
| 25SPD190.1 | Lifting roof pillar, MProfi | 200, 250, 300 or 350 | Mechanical |
| Material: | Aluminum/ Steel/ Galvanized | Set | |

Lifting roofs

Hydraulic lifting mechanism

| Cat No | Designation | Displacement | Weight kg |
|-------------|---|--------------|-----------|
| 51.60.10.86 | Hydraulic roof lifting mechanism for CS MAX pillars | Max 450 mm | 12,5 |
| Material: | Aluminum/ Steel/ Galvanized | Set | |

5. Rear doors, door locks



Rear doors s. 76

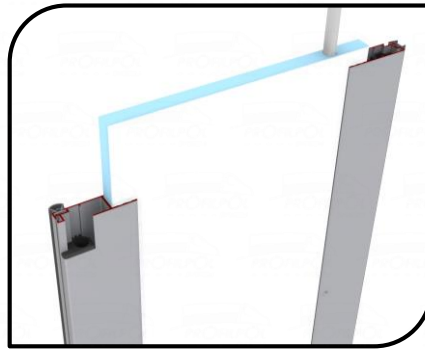
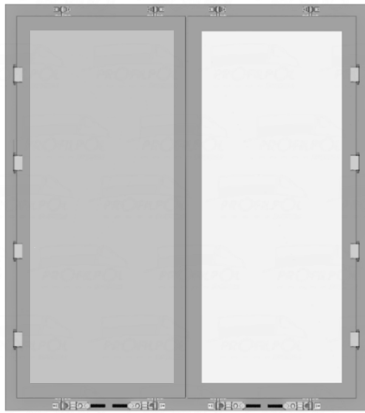
Door profiles s. 79

Hinges and locks s. 80

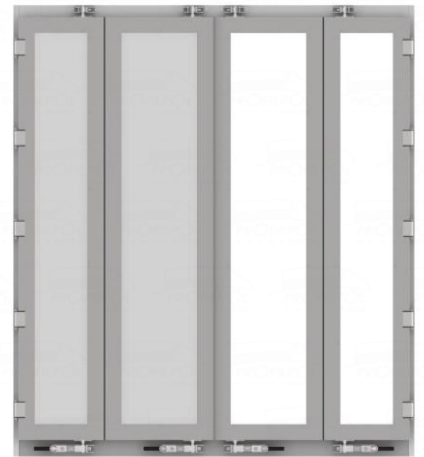
Rear doors

We are offering 2- or 4- wing rear doors.

Panel fulfilment.



Two colours available.

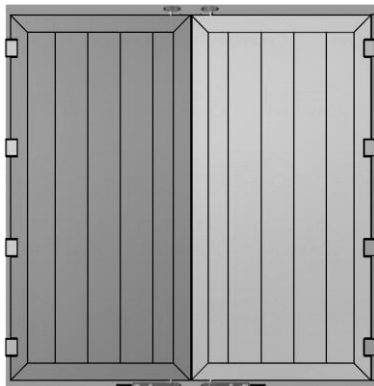


RAL 9006

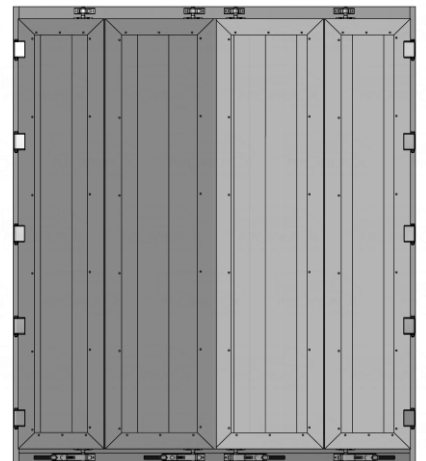


RAL 9010

Aluminum fulfilment.



Two finishing ways of aluminium doors.

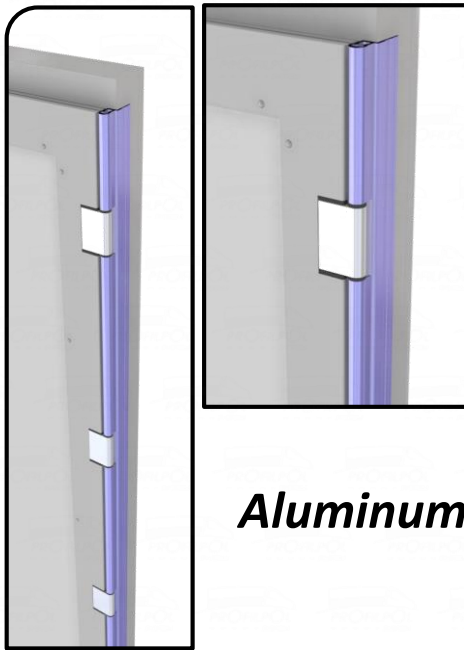
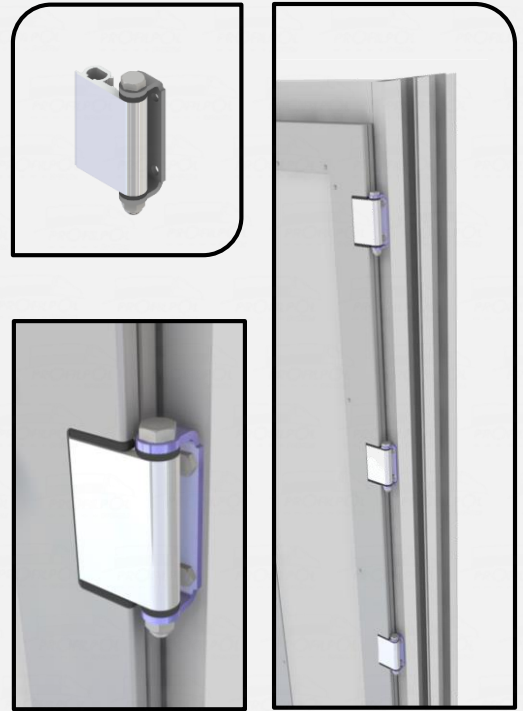


Anodized

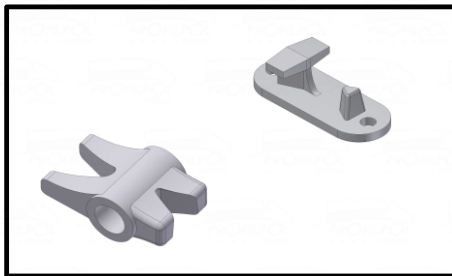


Sheer

Steel hinges

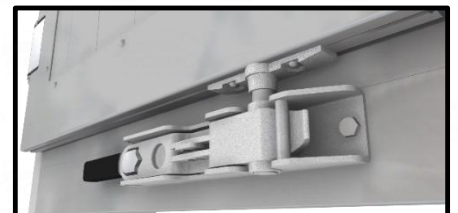
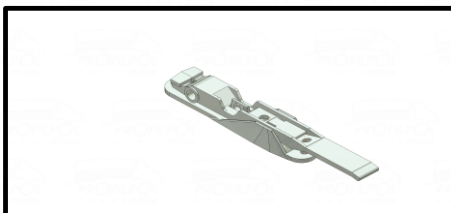
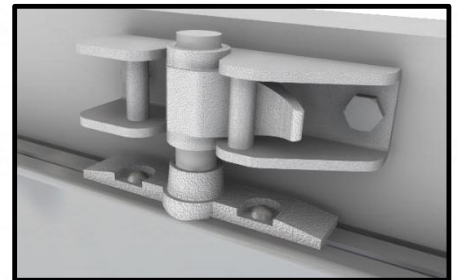


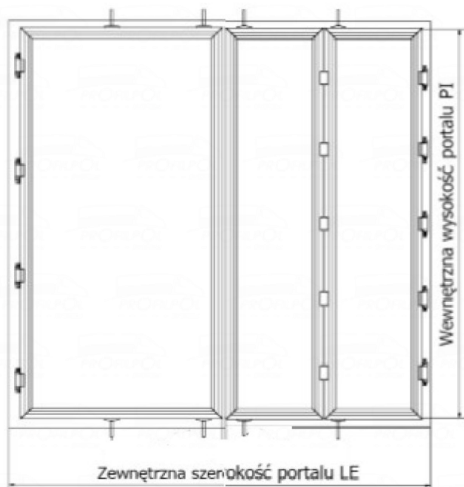
Aluminum hinge lath



Locks

- 16 mm
- 18 mm





| | |
|--------------------------|--|
| KLIENT | |
| NUMER ZAMÓWIENIA | |
| IŁOŚĆ SZTUK | |
| TERMIN REALIZACJI | |

UWAGI

DWUSKRZYDŁOWE

CZTEROSKRZYDŁOWE

RAMAWewnętrzna wysokość portalu PI = mmZewnętrzna szerokość portalu LE = mmProfile ramy: anoda aluminium malowane RAL **WYPEŁNIENIE**

anodowane

PROFILE ALU

AL naturalne

malowane RAL

RAL 9010 RAL /biały/

PANELE PU25

RAL 9006 /szary/ **ZAMKNIĘCIA****Ilość**

2 szt. na skrzydło

1 szt. na skrzydło

Typ

Prosty Ø 18mm

Prosty Ø 18mm

**RODZAJ ZAWIASÓW**

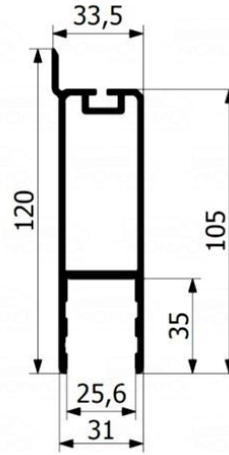
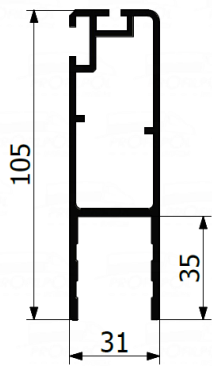
stalowy przykręcany



aluminiowy nitowany

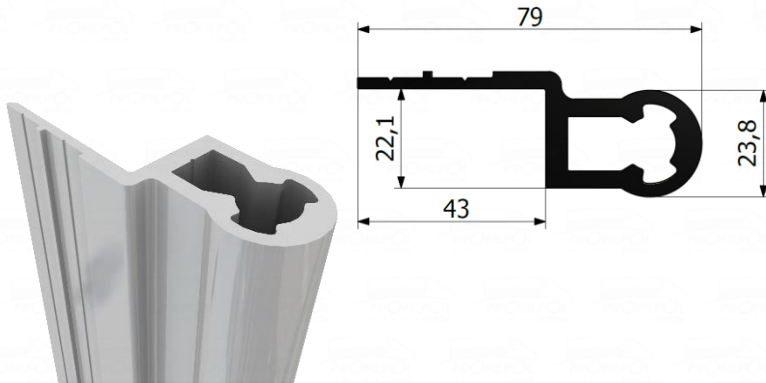


Door profiles



| Cat No | Designation | Weight |
|-------------|--------------------|------------------------|
| 22.22.41055 | Door profile | 1,67 kg/m |
| Material: | Aluminum/ anodized | L-3,30 m; L-5,15 m; |

| Cat No | Designation | Weight |
|-------------|------------------------|------------|
| 22.22.41054 | Door profile with edge | 1,702 kg/m |
| Material: | Aluminum/ anodized | L-3,30 m |



| Cat No | Designation | Weight |
|-------------|--------------------|----------------------|
| 22.22.50293 | Door hinge profile | 1,45 kg/m |
| Material: | Aluminum/ anodized | L-2,6 m; L-2,8 m; |

| Cat No | Designation | Weight |
|-----------|--------------------|-----------|
| 22.21.12 | Hinge bar fi 12 mm | 0,31 kg/m |
| Material: | Aluminum | L-3 m |



| Cat No | Designation | Weight |
|----------------------------|---------------|-----------|
| PRO. USZCZELKA DRZWI WĄSKA | Alu door seal | 0,20 kg/m |
| Material: | Rubber | LM |

| Cat No | Designation | Weight |
|-----------|-------------|-----------|
| 14USD | Middle seal | 0,31 kg/m |
| Material: | Rubber | LM |

Hinges and locks



| Cat No | Designation | Weight kg |
|-----------|------------------------------------|-----------|
| 8ZRD16 | Zamknięcie ryglowe drzwi ø16 mm | 2,57 |
| 8ZRD18 | Zamknięcie ryglowe drzwi ø18 mm | 2,55 |
| Material: | Steel, galvanized | Set |

| Cat No | Designation | Weight kg |
|-----------|------------------------------------|-----------|
| 8ZRD18G | Zamknięcie ryglowe drzwi ø18 mm | 2,70 |
| Material: | Steel, galvanized, Geomet | Set |

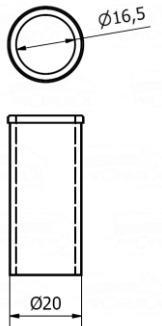
1.



2.



3.

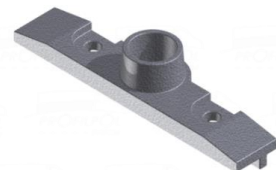


| Drawing | Cat No | Designation | Length L | Material | Weight |
|---------|-----------------|----------------|----------|-------------------|--------------|
| 1. | 3PSCF116 | Lock bar ø16 | 3500 mm | Steel, galvanized | 1,76 kg/m |
| 2. | 3PSCF118 | Lock bar ø18 | 3500 mm | Steel, galvanized | 2 kg/m |
| 3. | 8TZR20 | Reduction tube | 44,5 | INOX | 0,04 kg/szt. |

6.



7.



| Drawing | Cat No | Designation | Material | Weight |
|---------|-----------------|----------------------|-------------------|--------------|
| 6. | 14ZDP Zn | Hinge for screwing | Steel, galvanized | 0,120 kg/szt |
| 7. | 14PD18 | Conducting plate ø18 | Cast iron | 0,125 kg/szt |

6. Accesories for tippers



Pillars and sideboards endings s. 82

Locks s. 84

Hinges s. 86

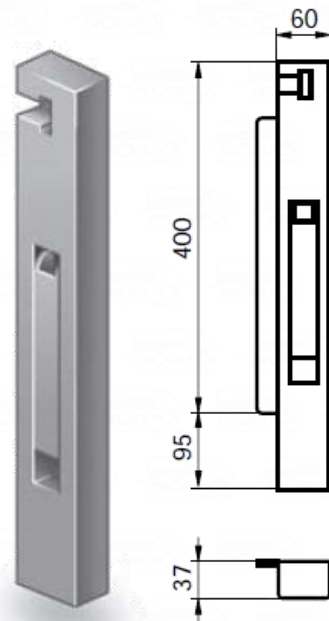
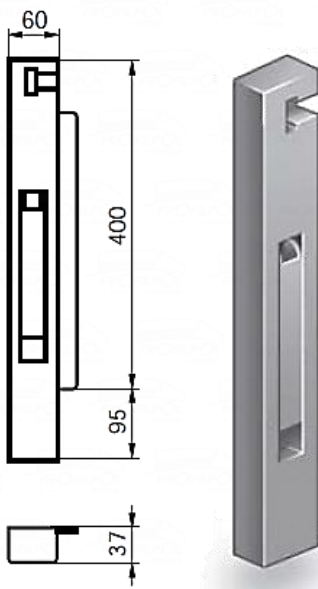
Pillars and sideboards endings



| Cat No | Designation | Weight |
|-----------|-----------------------------|---------|
| 11PZW L/P | Edging profile for dropside | 0,76 kg |
| Material: | Steel, galvanized | Pc. |

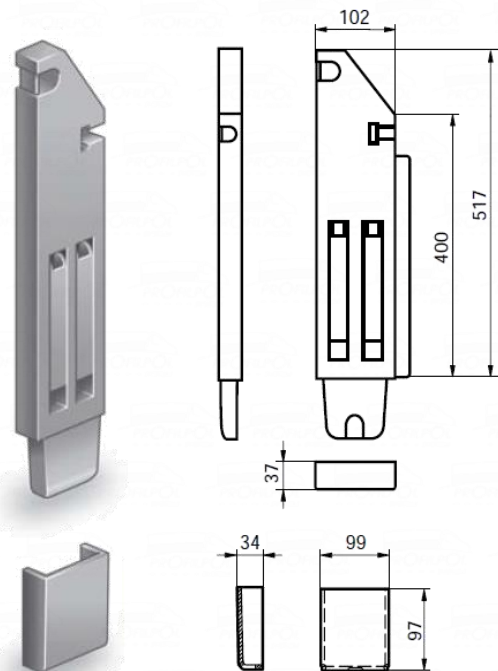
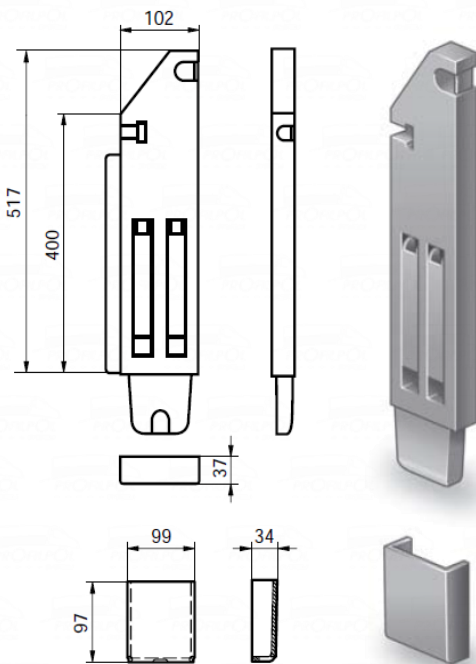
| Cat No | Designation | Weight |
|----------------------|----------------------------------|---------|
| 11PPZW/T 11LPZW/T | Rear edging profile for dropside | 1,23 kg |
| Material: | Steel, galvanized | Pc. |

Pillars and sideboards endings



| Cat No | Designation | Weight |
|-----------|----------------------------|---------|
| 11SW 60PL | Tipper pillar, front left | 3,40 kg |
| Material: | Steel, galvanized, painted | Pc. |

| Cat No | Designation | Weight |
|-----------|----------------------------|---------|
| 11SW60 PP | Tipper pillar, front right | 3,40 kg |
| Material: | Steel, galvanized, painted | Pc. |



| Cat No | Designation | Weight |
|-----------|----------------------------|---------|
| 11SW102TL | Tipper pillar, rear left | 1,20 kg |
| Material: | Steel, galvanized, painted | Pc. |

| Cat No | Designation | Weight |
|-----------|----------------------------|---------|
| 11SW102TP | Tipper pillar, rear right | 1,20 kg |
| Material: | Steel, galvanized, painted | Pc. |

Locks

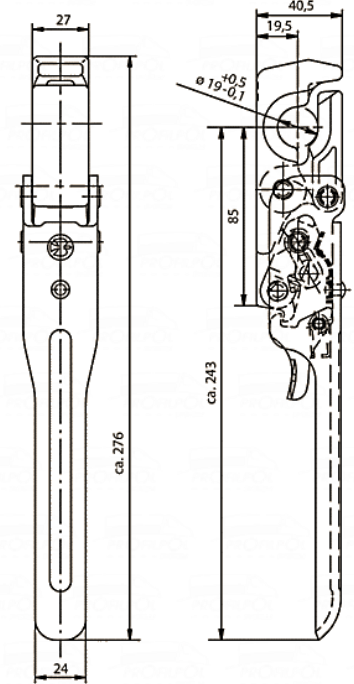
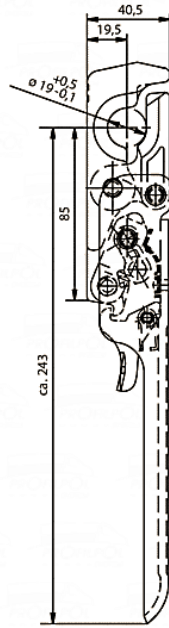
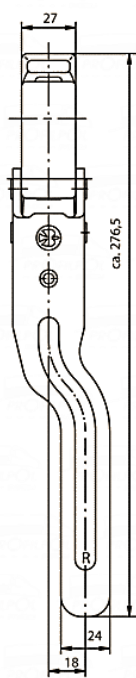
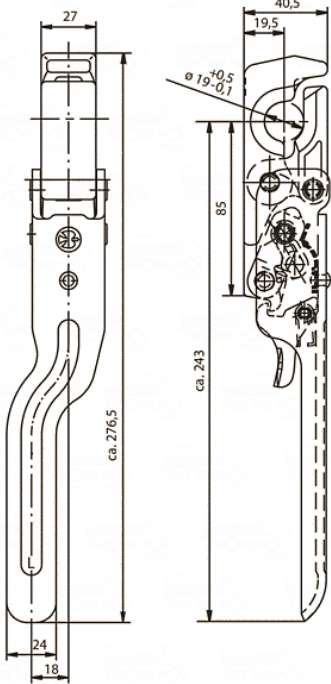
1.



2.



3.

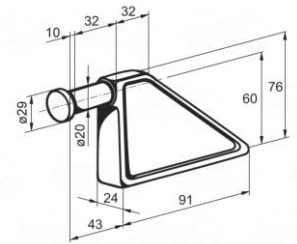
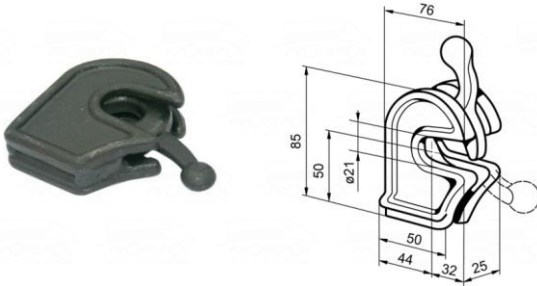


4.



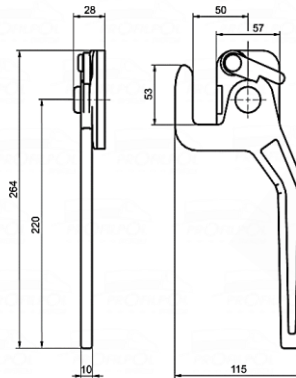
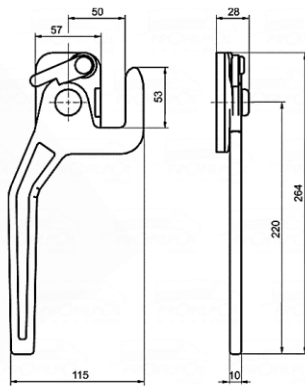
| Nr rys. | Cat No | Designation | Weight kg |
|-----------|----------|--------------------|-----------|
| 1. | 11ZW664L | Lock 664 N, left | 0,90 |
| 2. | 11ZW664P | Lock 664 N, right | 0,90 |
| 3. | 11ZW664C | Lock 664 N, middle | 8,30 |
| 4. | 11CZ664 | Lock, pin, 664 N | 0,50 |
| Material: | | Steel, galvanized | Pc. |

Locks



| Cat No | Designation | Weight |
|-----------|--------------------|---------|
| 11ZBW/A | Side pendulum lock | 0,61 kg |
| Material: | Steel, galvanized | Pc. |

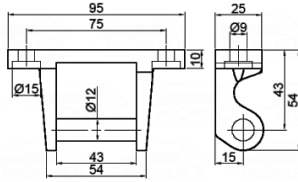
| Cat No | Designation | Weight |
|-----------|-------------------------|---------|
| 11ZBW/C | Side pendulum lock- pin | 0,80 kg |
| Material: | Steel, galvanized | Pc. |



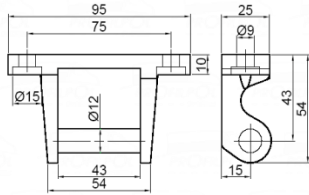
| Cat No | Designation | Weight |
|-------------|-------------------|----------|
| 11ZB6121N L | Lock 6121 - left | 1,123 kg |
| Material: | Steel, galvanized | Pc. |

| Cat No | Designation | Weight |
|-------------|-------------------|----------|
| 11ZB6121N P | Lock 6121 - right | 1,123 kg |
| Material: | Steel, galvanized | Pc. |

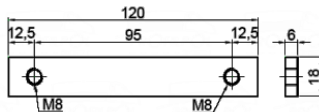
Hinges



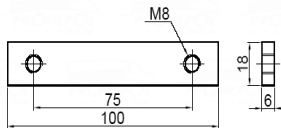
| Cat No | Designation | Weight |
|------------|------------------|---------|
| 11ZBW120A | Tipper hinge 120 | 0,37 kg |
| Material : | Stal ZN | Szt. |



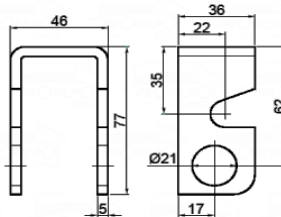
| Cat No | Designation | Weight |
|------------|-----------------|---------|
| 11ZBW95A | Tipper hinge 95 | 0,32 kg |
| Material : | Stal ZN | Szt. |



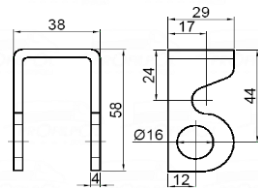
| Cat No | Designation | Weight |
|------------|---------------------|----------|
| 5PLZ120ZN | Plate for 120 hinge | 0,087 kg |
| Material : | Stal ZN | Szt. |



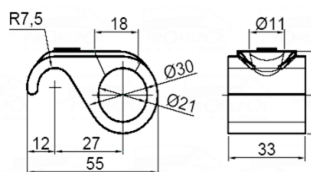
| Cat No | Designation | Weight |
|------------|--------------------|----------|
| 5PLZ75/100 | Plate for 95 hinge | 0,079 kg |
| Material: | Aluminum | Szt. |



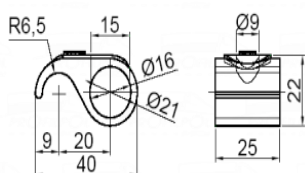
| Cat No | Designation | Weight |
|------------|-------------------|----------|
| 11LZW120 | Hinge bearing 120 | 0,085 kg |
| Material : | Stal ZN | Szt. |



| Cat No | Designation | Weight |
|------------|------------------|----------|
| 11LZW95 | Hinge bearing 95 | 0,080 kg |
| Material : | Stal ZN | Szt. |

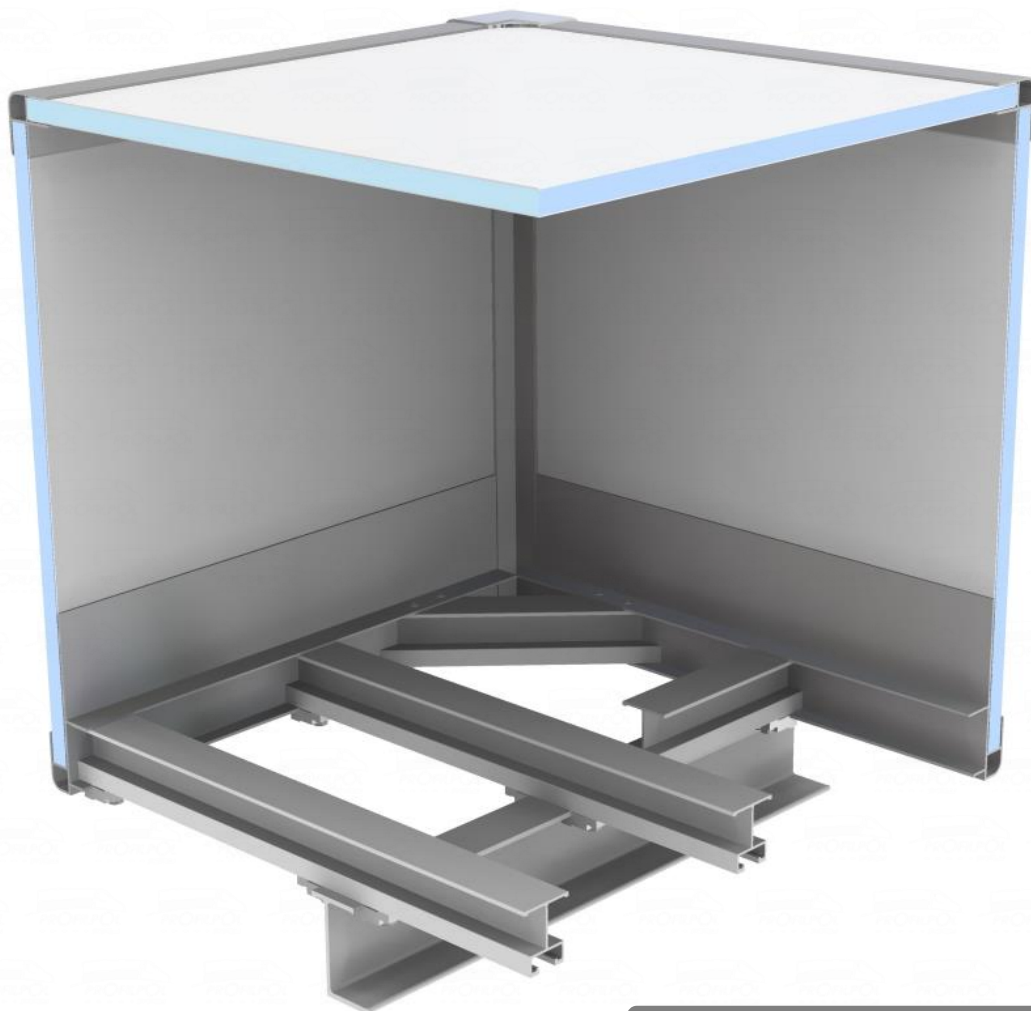


| Cat No | Designation | Weight |
|------------|--------------------|---------|
| 8HZW120 | Hinge hook ø21/120 | 0,16 kg |
| Material : | Stal ZN | Szt. |



| Cat No | Designation | Weight |
|------------|-------------------|---------|
| 8HZW95 | Hinge hook ø21/95 | 0,14 kg |
| Material : | Stal ZN | Szt. |

7. *Box type bodies*



Box profiles s. 88

Side doors s. 91

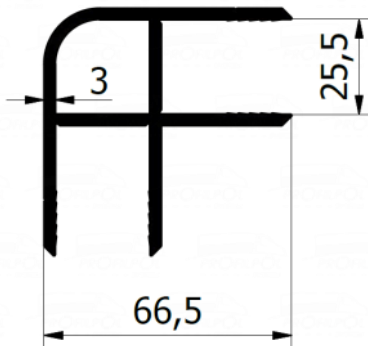
Rear portal s. 92

Overlaps and corners s. 93

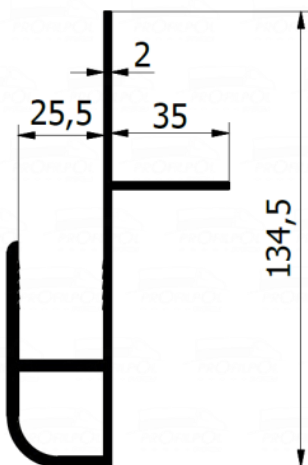
Locks and hinges s. 94

Box kit s. 96

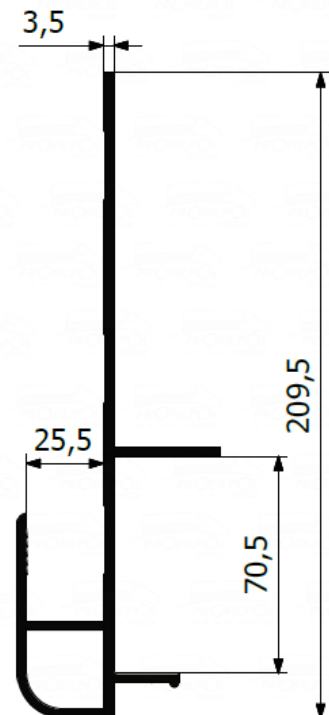
Box profiles



| Cat No | Designation | Weight |
|--------------|--------------------|------------|
| 22.22.70098F | Box corner profile | 1,993 kg/m |
| Material: | Aluminum/ anodized | L-7,0 m |

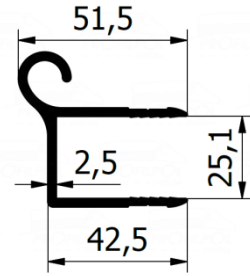
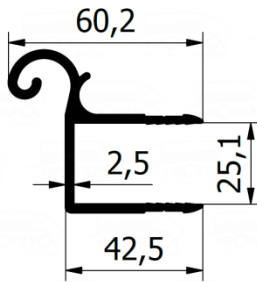


| Cat No | Designation | Weight |
|-------------|-----------------------|------------|
| 22.22.11773 | Box sideframe profile | 1,825 kg/m |
| Material: | Aluminum/ anodized | L-7,0 m |



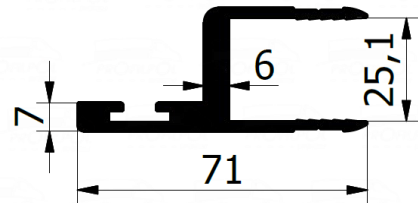
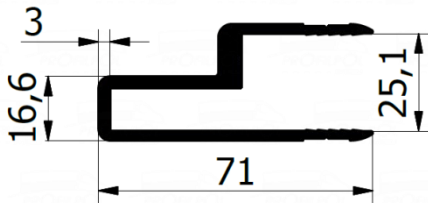
| Cat No | Designation | Weight |
|-----------|-----------------------|--------------|
| 22.22.599 | Box sideframe profile | 3,260 kg/m |
| Material: | Aluminum/ anodized | L-5,2; 7,0 m |

Box profiles



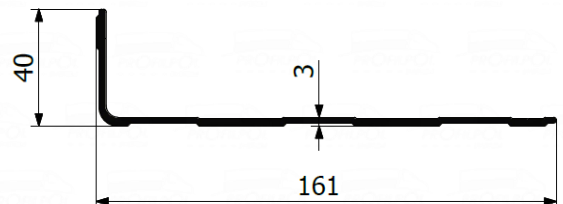
| Cat No | Designation | Weight |
|-----------|-------------------------|------------|
| 22.22.217 | Inside continuous hinge | 1,103 kg/m |
| Material: | Aluminum/ anodized | L-7,0 m |

| Cat No | Designation | Weight |
|-----------|--------------------------|------------|
| 22.22.317 | Outside continuous hinge | 0,958 kg/m |
| Material: | Aluminum/ anodized | L-7,0 m |



| Cat No | Designation | Weight |
|---------------|--------------------------|------------|
| 22.22.90098 F | Side doors frame profile | 1,258 kg/m |
| Material: | Aluminum/ anodized | L-7,0 m |

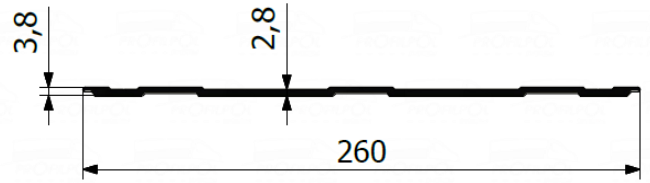
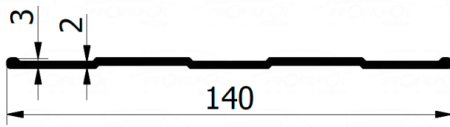
| Cat No | Designation | Weight |
|---------------|--------------------------------------|------------|
| 22.22.80098 F | Side doors frame profile for sealing | 1,229 kg/m |
| Material: | Aluminum/ anodized | L-7,0 m |



| Cat No | Designation | Weight |
|-----------|-----------------|------------|
| 6UPD3 | Side doors seal | 0,015 kg/m |
| Material: | Rubber | LM |

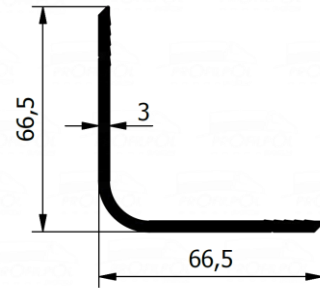
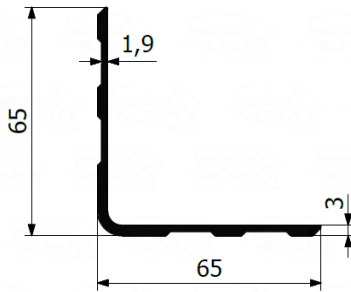
| Cat No | Designation | Weight |
|-----------|-----------------------|------------|
| 22.21.172 | Inside profile 160 mm | 1,257 kg/m |
| Material: | Aluminum/ anodized | L-6,80 m |

Box profiles



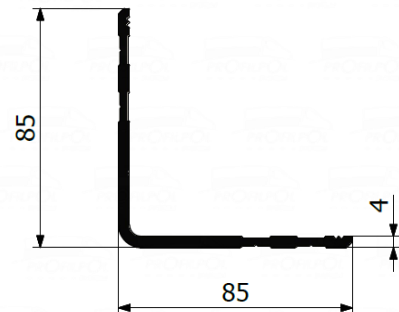
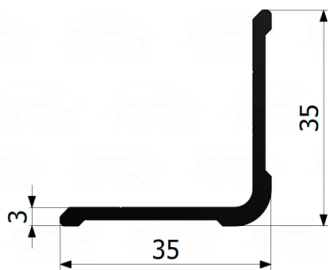
| Cat No | Designation | Weight |
|-----------|------------------------------|------------|
| 22.21.372 | Profil wew. kontenera 140 mm | 0,780 kg/m |
| Material: | Aluminum | L-6,80 m |

| Cat No | Designation | Weight |
|-----------|-------------------------------------|------------|
| 22.22.672 | Profil wewn. kontenera 260 mm Anoda | 2,023 kg/m |
| Material: | Aluminum/ anodized | L-6,80 m |



| Cat No | Designation | Weight |
|-----------|--------------------|------------|
| 22.22.207 | Inside profile 65 | 0,840 kg/m |
| Material: | Aluminum/ anodized | L-6,8 m |

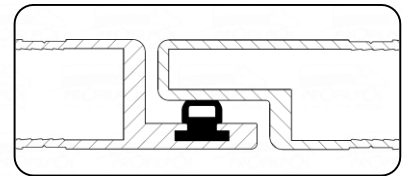
| Cat No | Designation | Weight |
|--------------|---------------------|----------|
| 22.22.66.7.0 | Outside 66,5 x 66,5 | 1,0 kg/m |
| Material: | Aluminum/ anodized | L-7,0 m |



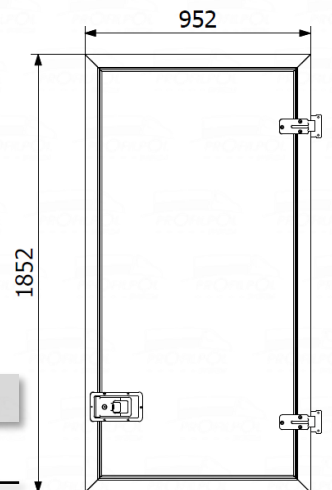
| Cat No | Designation | Weight |
|-----------|----------------------------------|-----------|
| 22.21.572 | Inside profile 35x35x2 | 0,40 kg/m |
| 22.22.572 | Inside profile 35x35x2, anodized | 0,40 kg/m |
| Material: | Aluminum/ anodized | L-7,0 m |

| Cat No | Designation | Weight |
|-----------|---------------------------------|------------|
| 22.21.901 | Outside profile 85 mm | 1,620 kg/m |
| 22.22.901 | Outside profile 85 mm, anodized | 1,620 kg/m |
| Material: | Aluminum/ anodized | L-6,8 m |

Side doors



Side doors are also available as a kit.



Nr katalogowy

Nazwa

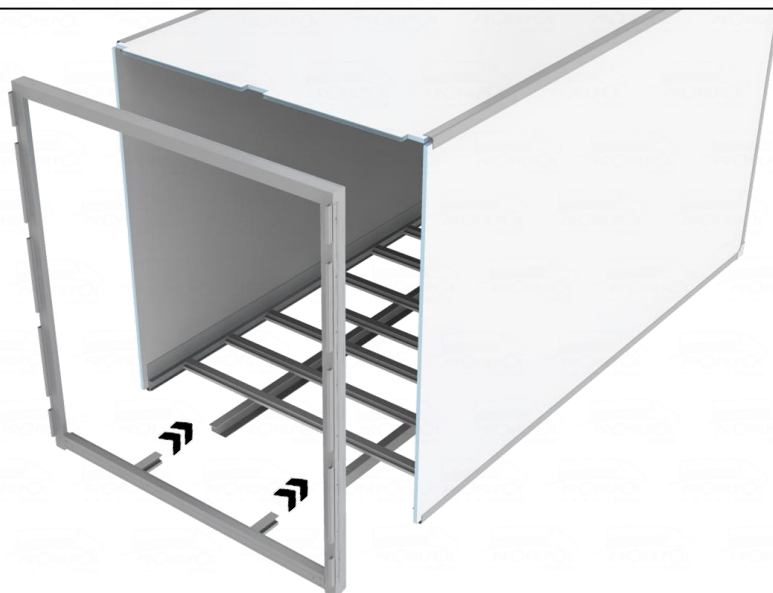
13.2.18.95 S

Side doors kit without panel

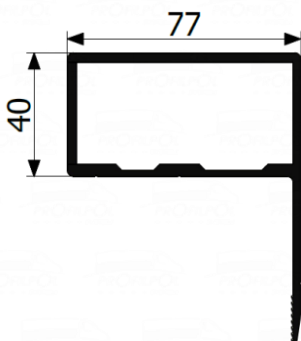
Material:

Aluminum/ anodized, steel, PVC

Rear portal

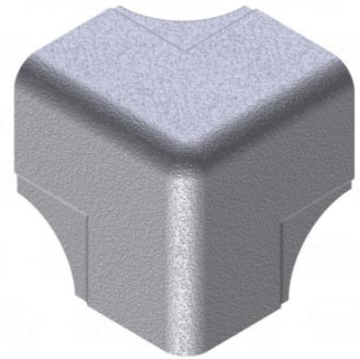
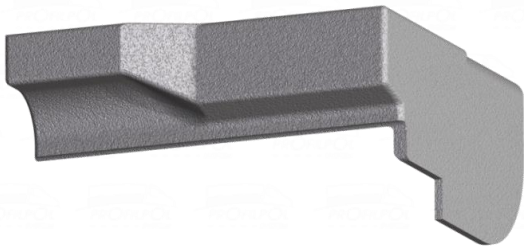


| Nr katalogowy | Nazwa |
|---------------|-------------------------------|
| 14ZP1 | Rear portal, SET |
| Material: | Aluminum/ anodized, Steel, ZN |



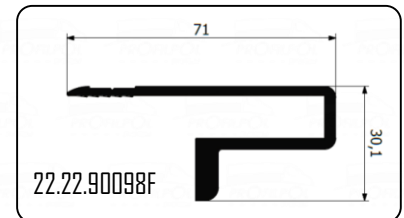
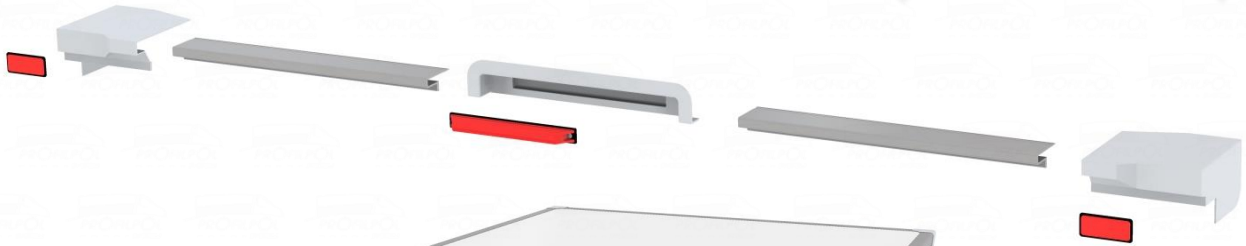
| Cat No | Designation | Weight |
|---------------|---------------------|------------|
| 22.22.399.5.2 | Rear portal profile | 2,121 kg/m |
| Material: | Aluminum/ anodized | L- 7,0 M |

Overlaps and corners

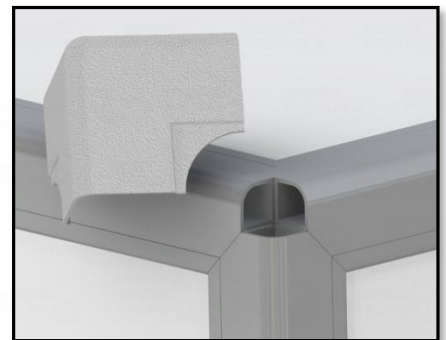
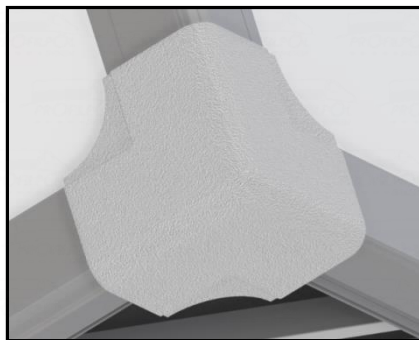
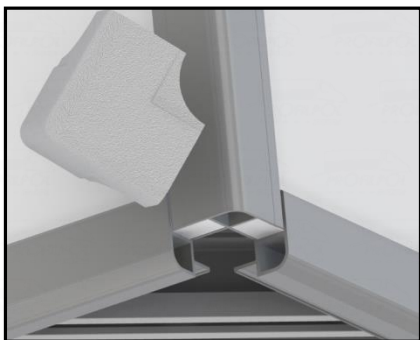


| Cat No | Designation | Weight |
|-----------|--------------------------------|----------|
| 8NKTPC | Rear portal corner ALU PCV L/P | 0,440 kg |
| Material: | TWPC | Set: L+R |

| Cat No | Designation | Weight |
|---------------|-----------------|----------|
| 8NKPC9006 RAL | Corner 9006 RAL | 0,135 kg |
| Material: | TWPC | Pc. |



Estetyczne zakończenia naroży kontenera



Locks and hinges



| Cat No | Designation | Weight kg/pc | Material |
|--------|--------------------|--------------|----------|
| 9TD480 | Door holder 480 mm | 2,0 | Steel/ZN |
| 97D520 | Door holder 550 mm | 2,15 | Steel/ZN |
| 97D550 | Door holder 550 mm | 2,35 | Steel/ZN |



| Cat No | Designation | Weight |
|-----------|------------------|---------|
| 8TDK | Door holder, Set | 0,13 kg |
| Material: | INOX, PVC | Pc. |



| Cat No | Designation | Weight |
|-----------|-------------|---------|
| 8RD159 | Lock 159 mm | 0,38 kg |
| Material: | Steel/ZN | Pc. |

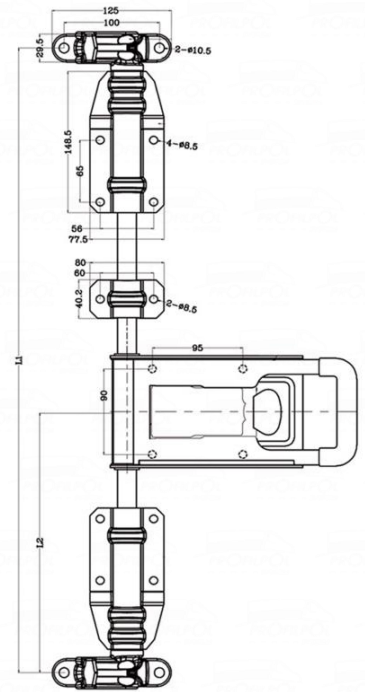


| Cat No | Designation | Weight |
|------------|---------------------|---------|
| 8RD213 | Rygiel drzwi 213 mm | 0,38 kg |
| Material : | Stal : ZN | Szt. |

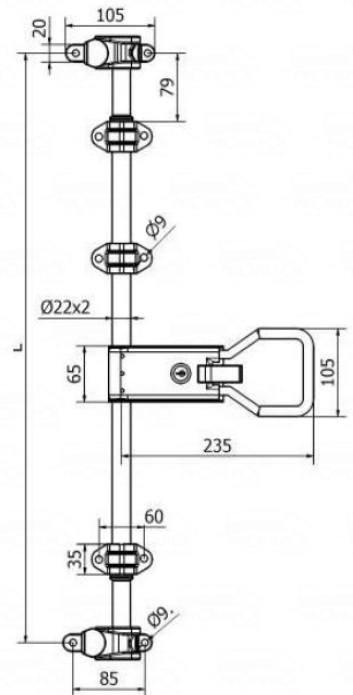


| Cat No | Designation | Weight |
|------------|---------------------|---------|
| 8RD220 | Rygiel drzwi 220 mm | 0,42 kg |
| Material : | Stal : ZN | Szt. |

Locks and hinges



| Cat No | Designation | Weight |
|--------------|---------------------|---------|
| 80ZR22KZ.1** | External lock 22 mm | 2,90 kg |
| Material : | INOX | Set |



| Cat No | Designation | Material | Weight kg |
|-----------|---------------------|----------|-----------|
| 80ZR22KZ | External lock 22 mm | INOX | 5,87 |
| 80ZR22KZO | External lock 22 mm | Steel/ZN | 5,87 |

Locks and hinges



| Cat No | Designation | Weight |
|------------|-------------------|---------|
| 8PZD290 | Hinge leaf 290 mm | 0,43 kg |
| Material : | Stal nierdzewna | Szt. |

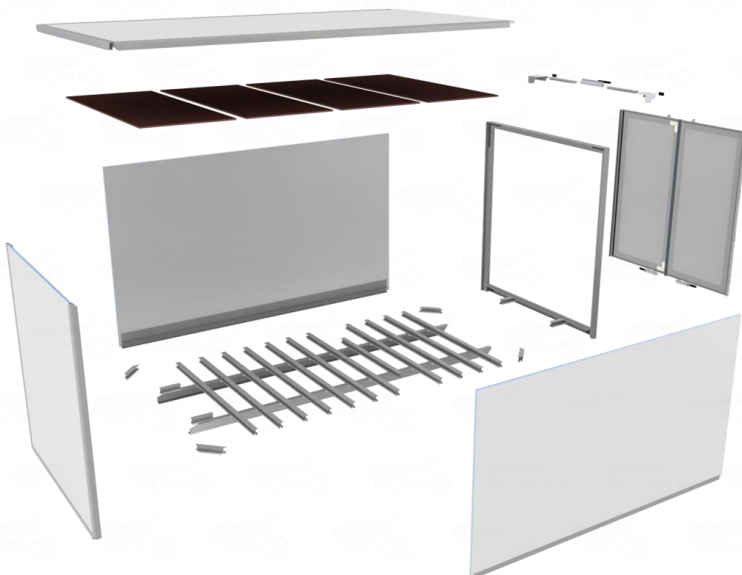
| Cat No | Designation | Weight |
|------------|-------------------|---------|
| 8ZB174 PAS | Hinge 174x62 inox | 0,43 kg |
| Material : | Stal nierdzewna | Szt. |



| Cat No | Designation | Weight |
|------------|-------------------|---------|
| 8PZ280 | Hinge leaf 280 mm | 0,66 kg |
| Material : | Stal nierdzewna | Szt. |

| Cat No | Designation | Weight |
|------------|--------------------|---------|
| 8PZ280 | Hinge joint 280 mm | 0,66 kg |
| Material : | Stal nierdzewna | Szt. |

Box kit



The kit consists of all necessary profiles, frame profiles included, cut to the exact length, cut XPS panels, clamps and screws. Optional cut plywood is available.



It is possible to order pre assembled box kit- with glued profiles into panels, preassembled frame, portal and doors.

8. Underrun protection, steps



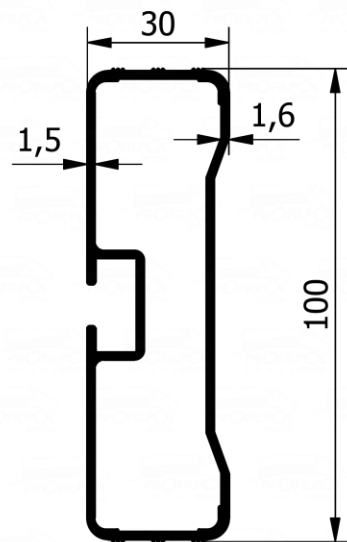
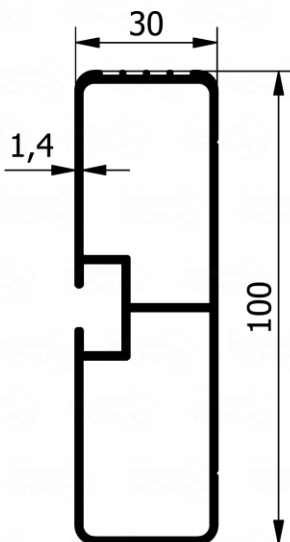
Side protection profiles s. 98

Side protection holder s. 99

Caps and covers for side protection profiles s. 99

Steps and ladders s. 100

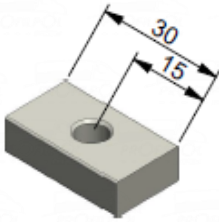
Side protection profiles



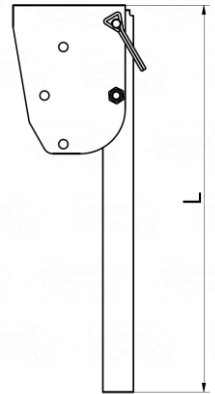
| Cat No | Designation | Weight |
|--------------|-----------------------|-----------|
| 22.22.93.602 | Side protection cover | 1,14 kg/m |
| Material: | Aluminum/ anodized | Mb |

| Cat No | Designation | Weight |
|------------|-----------------------|------------|
| 22.22.5551 | Side protection cover | 1,256 kg/m |
| Material: | Aluminum/ anodized | m |

Side protection holders



| Cat No | Designation | Weight |
|-----------|-----------------|----------|
| 9PM30 | Threaded plate. | 0,010 kg |
| Material: | Aluminum | Szt. |



| Cat No | Designation | Length L | Weight kg | Material |
|---------|-------------------------------|----------|-----------|----------|
| 9TUV360 | Side protection holder 360 mm | 360 mm | 1,45 | Steel/ZN |
| 9TUV430 | Side protection holder 430 mm | 430 mm | 1,55 | Steel/ZN |

Caps and covers for side protection profiles



| Cat No | Designation | Weight |
|------------|-------------------------------------|---------|
| 6ZGR 10030 | End cap for side protection profile | 0,63 kg |
| Material: | Rubber | Pc. |

| Cat No | Designation | Weight |
|-----------|-------------------------------------|---------|
| 6ZG 10030 | End cap for side protection profile | 0,44 kg |
| Material: | Rubber | Pc. |

Steps and ladders

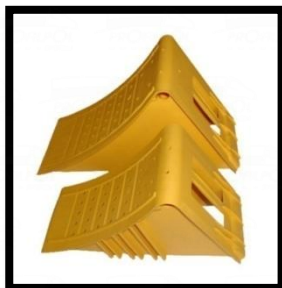


| Cat No | Designation | Weight |
|-----------|--------------|---------|
| 3SB2 | Folding step | 1,04 kg |
| Material: | Steel/ZN | Pc. |



| Cat No | Designation | Weight kg | Material |
|---------|-----------------------|-----------|----------|
| 3DS1 ZN | Drabinka, 1 stopniowa | 3,85 | Steel/ZN |
| 3DS2 ZN | Drabinka 2 stopniowa | 5,30 | Steel/ZN |
| 3DS3 ZN | Drabinka 3 stopniowa | 6,15 | Steel/ZN |

9. Mud guards, tool boxes, wheel chocks



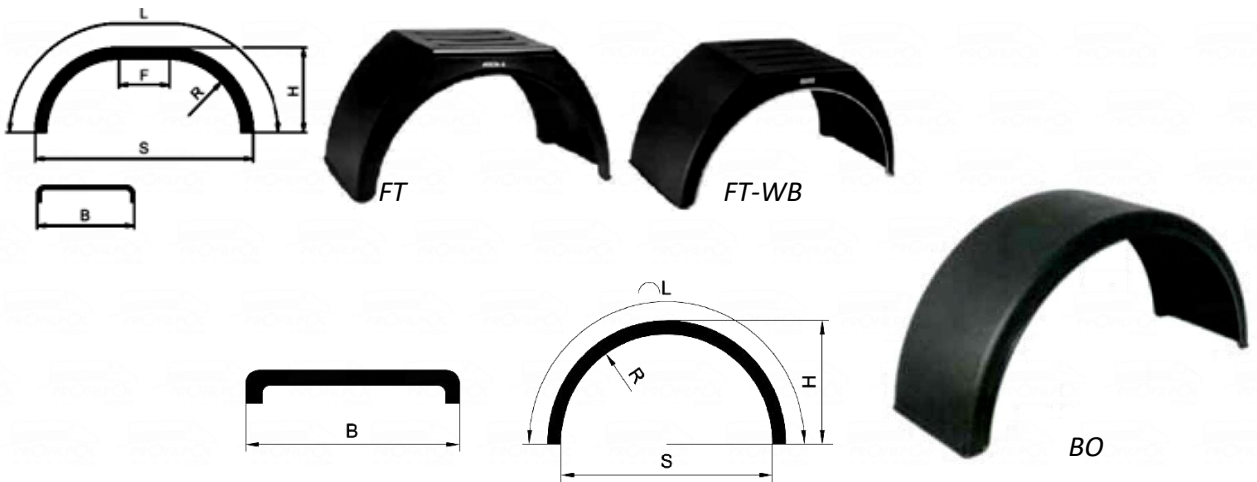
Mud guards, mud flaps s. 102

Tool boxes s. 104

Water tanks s. 106

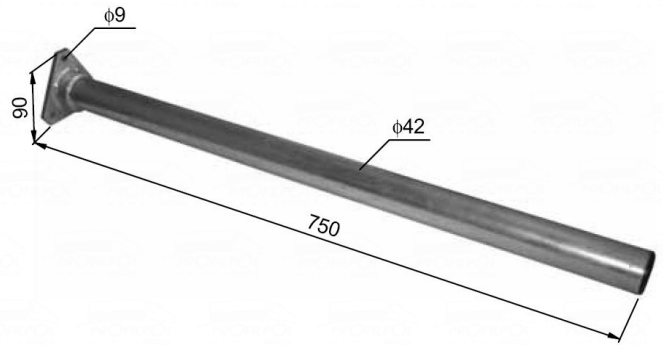
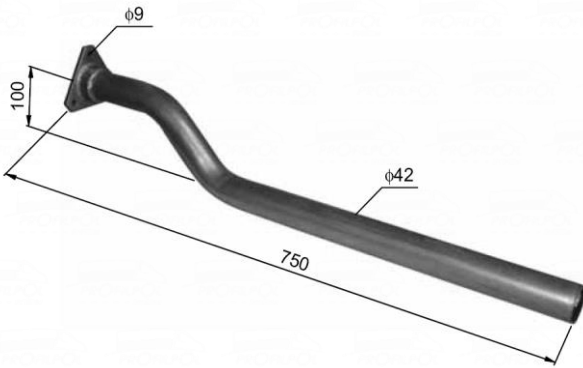
Wheel chocks s. 106

Mud guards, mud flaps



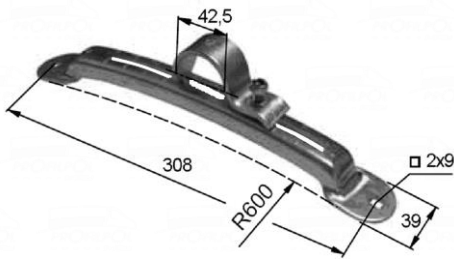
| Cat No | B [mm] | L [mm] | R [mm] | S [mm] | H [mm] | F [mm] | Material | Weight [Kg] |
|----------------------------|--------|--------|--------|--------|--------|--------|----------|-------------|
| Mud guard FT BxL | | | | | | | | |
| 7FT26130 | 260 | 1300 | 370 | 880 | 440 | 470 | PE | 1,50 |
| 7FT26148 | 260 | 1480 | 410 | 880 | 460 | 400 | PE | 1,70 |
| 7FT26157 | 260 | 1570 | 410 | 900 | 480 | 500 | PE | 1,70 |
| 7FT45130 | 450 | 1300 | 360 | 840 | 440 | 400 | PE | 3,40 |
| 7FT45145 | 450 | 1450 | 400 | 900 | 450 | 400 | PE | 4,00 |
| 7FT45157 | 450 | 1570 | 410 | 900 | 480 | 440 | PE | 4,00 |
| 7FT51177 | 510 | 1770 | 450 | 1050 | 560 | 550 | PE | 3,70 |
| 7FT55188 | 550 | 1880 | 510 | 1150 | 570 | 650 | PE | 3,90 |
| 7FT65231 | 650 | 2310 | 570 | 1290 | 700 | 700 | PE | 6,00 |
| Mud guard FT-WB BxL | | | | | | | | |
| 7WB26148 | 260 | 1480 | 380 | 860 | 450 | 400 | PE | 1,70 |
| 7WB45148 | 450 | 1480 | 400 | 880 | 470 | 400 | PE | 2,60 |
| 53WB51117 | 510 | 1170 | 430 | 1020 | 560 | 500 | PE | 3,70 |
| Mud guard BO BxL | | | | | | | | |
| 7BO672125 | 670 | 2125 | 670 | 1340 | 680 | - | PE | |
| 7BO432125 | 430 | 2125 | 650 | 1300 | 690 | - | PE | |

Mud guards, mud flaps

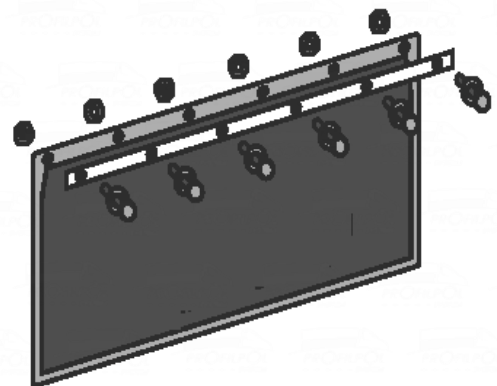
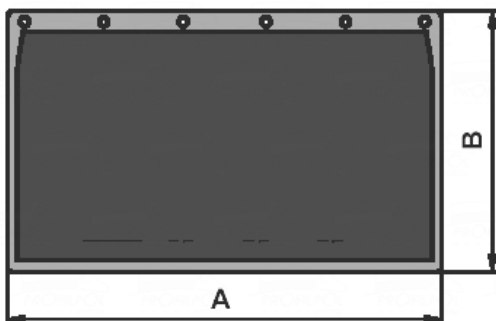


| Cat No | Designation | Weight |
|-----------|--|---------|
| 7KUB1 | Mud guard holder $\varnothing 42 \times 750$ | 2,20 kg |
| Material: | Steel/ZN | Pc. |

| Cat No | Designation | Weight |
|-----------|--|---------|
| 7KUB2 | Mud guard holder $\varnothing 42 \times 750$ | 2,30 kg |
| Material: | Steel/ZN | Pc. |

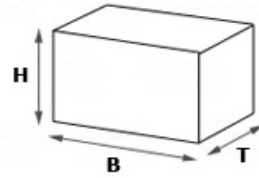


| Cat No | Designation | Weight |
|-----------|-----------------------------------|---------|
| 7UB1 | Mud guard holder $\varnothing 42$ | 0,50 kg |
| Material: | Steel/ZN | Pc. |



| Cat No | Mud flap | | Material | Weight [Kg] |
|---------|----------|--------|----------|-------------|
| | A [mm] | B [mm] | | |
| 7CH2628 | 260 | 280 | PE | 0,26 |

Tool boxes



| | |
|---|--------|
| B | 600 mm |
| H | 470 mm |
| T | 470 mm |

| Cat No | Designation | Weight |
|-------------|--------------------|---------|
| 71600470470 | Tool box Enduro 60 | 6,85 kg |
| Material: | Plastic | Pc. |



| | |
|---|--------|
| B | 800 mm |
| H | 470 mm |
| T | 470 mm |

| Cat No | Designation | Weight |
|-------------|--------------------|---------|
| 71800470470 | Tool box Enduro 80 | 8,64 kg |
| Material: | Plastic | Pc. |



| | |
|---|--------|
| B | 500 mm |
| H | 350 mm |
| T | 400 mm |

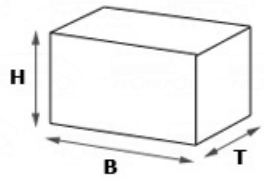
| Cat No | Designation | Weight |
|------------|---------------|--------|
| 7181102009 | Tool box Just | 3,46 |
| Material: | Plastic | Pc. |



| | |
|---|--------|
| B | 550 mm |
| H | 250 mm |
| T | 294 mm |

| Cat No | Designation | Weight |
|------------|------------------|--------|
| 7182202011 | Tool box Blackit | 2,87 |
| Material: | Plastic | Pc. |

Tool boxes



| | |
|---|--------|
| B | 600 mm |
| H | 470 mm |
| T | 470 mm |



| | |
|---|--------|
| B | 800 mm |
| H | 470 mm |
| T | 470 mm |

| Cat No | Designation | Weight |
|---------------|--------------------------|---------|
| 7S533253300 2 | Tool box Slick-Box 500-4 | 3,22 kg |
| Material: | Plastic | Pc. |

| Cat No | Designation | Weight |
|---------------|------------------------|---------|
| 7S750340300 3 | Tool box Slick-Box 750 | 6,95 kg |
| Material: | Plastic | Pc. |



| | |
|---|--------|
| B | 800 mm |
| H | 450 mm |
| T | 450 mm |



| | |
|---|---------|
| B | 1100 mm |
| H | 450 mm |
| T | 490 mm |

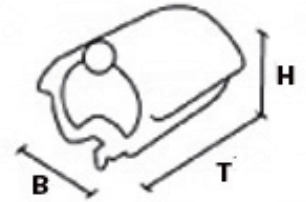
| Cat No | Designation | Weight |
|------------|------------------|---------|
| 7S804545 3 | Tool box BOX 800 | 8,82 kg |
| Material: | Plastic | Pc. |

| Cat No | Designation | Weight |
|--------------|-------------------|---------|
| 7S1100450490 | Tool box BOX 1100 | 12,5 kg |
| Material: | Plastic | Pc. |

Water tanks



| | |
|---|--------|
| B | 343 mm |
| H | 333 mm |
| T | 421 mm |



| Cat No | Designation | Weight |
|-----------|-------------|--------|
| 7ZPC | Water tank | 2,4 kg |
| Material: | Plastic | Pc. |

| Cat No | Designation | Weight |
|----------------|-------------------|--------|
| 7TK25506012020 | Water tank holder | 1,3 kg |
| Material: | Steel, ZN | Pc. |



Wheel chocks

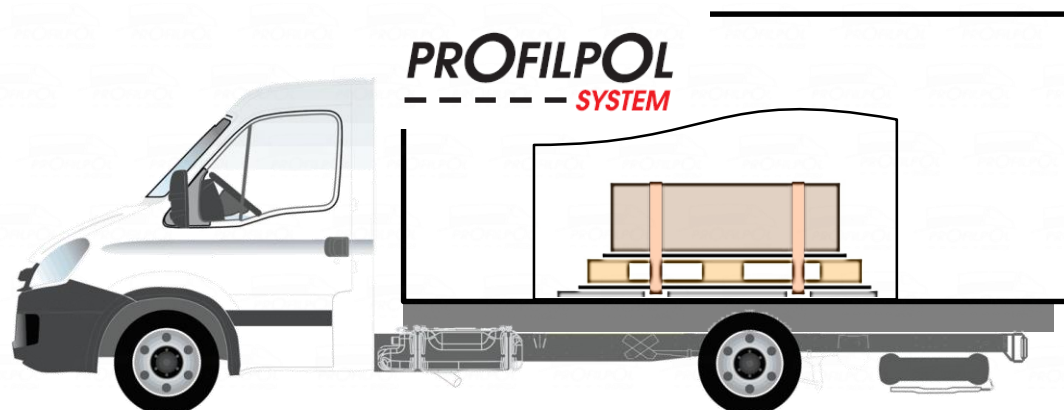


| | |
|-----------|--------|
| szerokość | 160 mm |
| długość | 383 mm |
| wysokość | 193 mm |



| Cat No | Designation | Weight |
|-----------|-----------------|----------|
| 7G46 | Wheel chock 460 | 0,754 kg |
| Material: | Plastic | Pc. |

| Cat No | Designation | Weight |
|-----------|---------------------------|----------|
| 7UK46 | Hoder for 460 wheel chock | 0,434 kg |
| Material: | Steel, ZN | Pc. |



AIRLINE shoring s. 108

AIRLINE laths s. 109

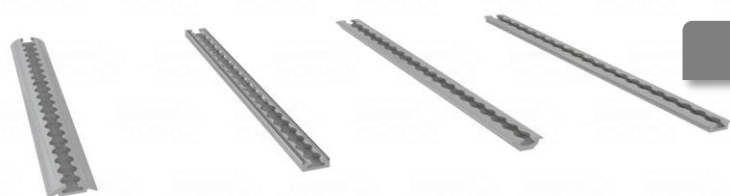
Uchwyty ładunku do ramy s. 110

Uchwyty ładunku podłogowe s. 111

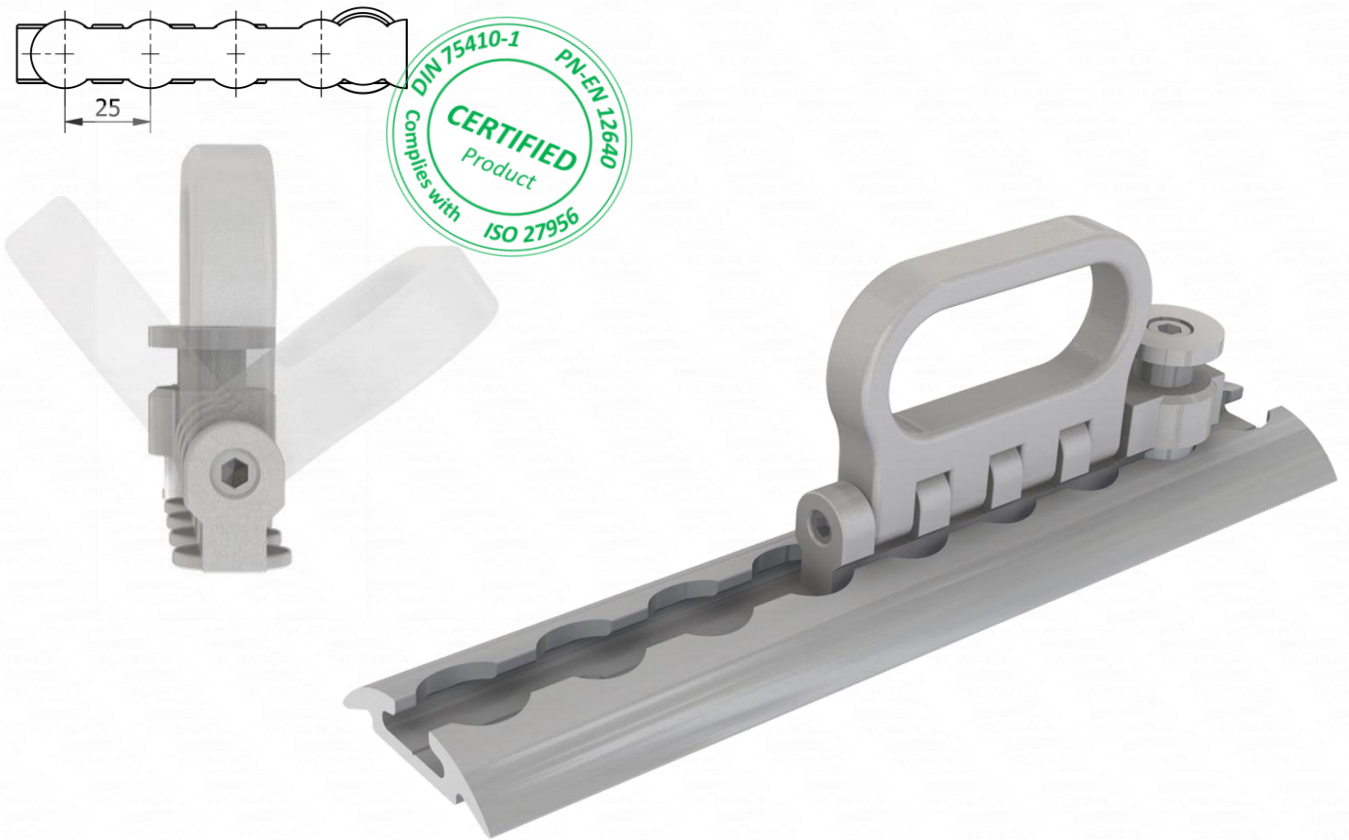
Fixing laths s. 111

Stowing bars s. 113

Ratchet straps s. 114



AIRLINE shoring



1.



2.



3.



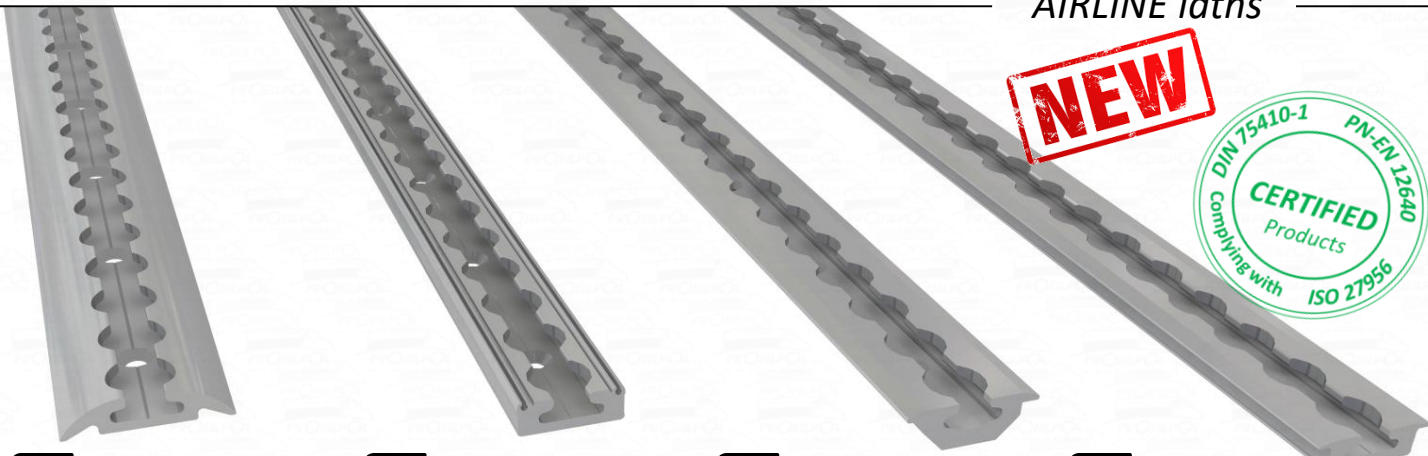
| No. | Catalog no. | Designation | Weight kg/ pc. | Material |
|-----|-------------|--------------------------------------|----------------|--------------------|
| 1. | 3UA2000 | Airline shoring component, 2000 Kg * | 0,34 | Steel /ZN |
| 2. | 3UA2500 | Airline shoring component, 2500 Kg | 0,30 | Steel /ZN |
| 3. | 3UA500 | Airline shoring component, 500 Kg | 0,05 | Aluminium/Steel/ZN |

***The 3UA2000 shoring complies with the requirements of:**

- DIN 75410-1 Standard for vehicle N1, O1, O2 category,
- PN-EN 12640 Standard for vehicle N2, N3, O3 and O4 category
- ISO 27956 Standard for commercial vehicles up to 5 t (GVM)

AIRLINE laths

NEW

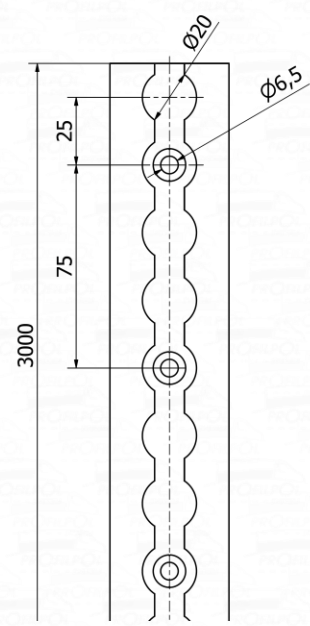
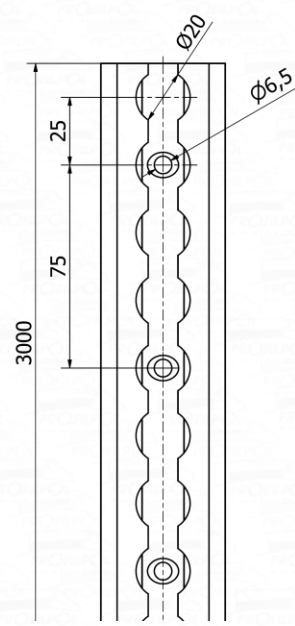
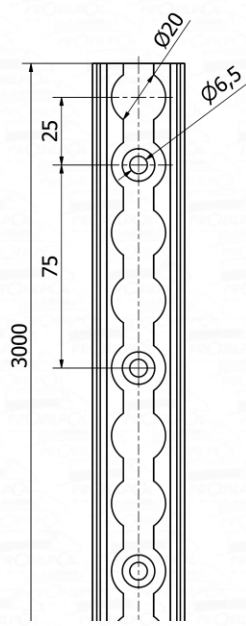
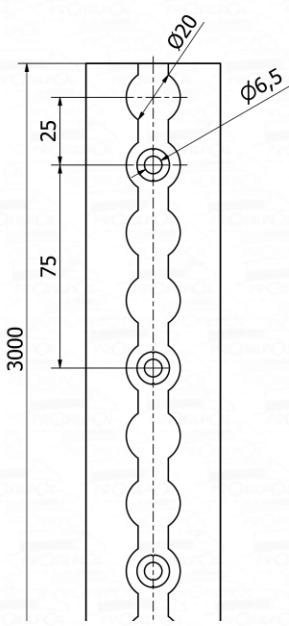
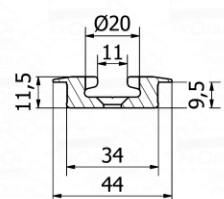
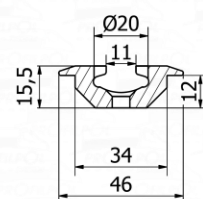
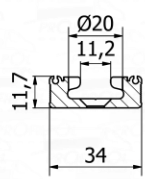
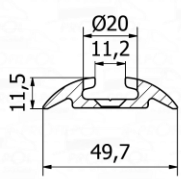


1.

2.

3.

4.



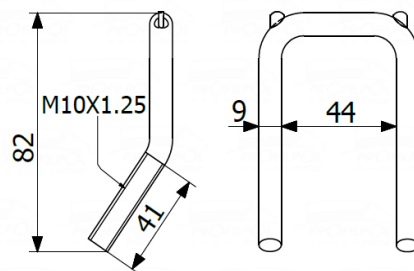
| No. | Catalog no. | Designation | Weight kg/m |
|------------|-------------|---|-------------|
| 1. | 3LA30004210 | Airline lath, semicircular, 3000 mm ^{1), 5), 2)*, 4)*} | 1,98 |
| 2. | 3LA30003496 | Airline lath, rectangle, 3000 mm ^{1), 3), 4)} | 1,87 |
| 3. | 3LA30003449 | Airline lath, immersed, 3000 mm ^{1), 2), 4)} | 2,75 |
| 4. | 3LA30004416 | Airline lath, immersed, 3000 mm ^{1), 3), 4)} | 2,16 |
| Material : | | Aluminium | |

The lathes are complying with the requirements of:

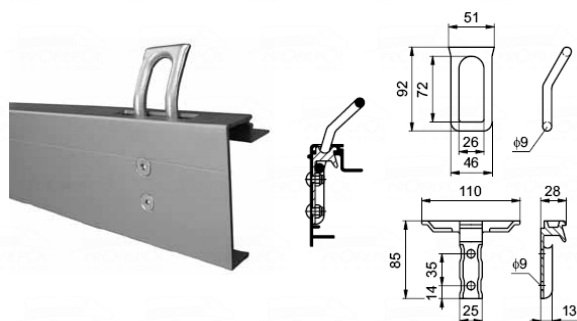
- 1) DIN 75410-1 Standard for vehicles N1, O1, O2 category
- 2) PN-EN 12640 Standard for vehicles N2, O3 and O4 category up to 12 t (GVM),
- 3) PN-EN 12640 Standard for vehicles N2, N3, O3 and O4 category
- 4) ISO 27956 Standard for commercial vehicles up to 7,5 t (GVM)
- 5) ISO 27956 Standard for commercial vehicles up to 2,5 t (GVM)

* With M8 mounting system (The 3LA30004210 lath is also available with ø8,5 holes on demand)

Frame stowing

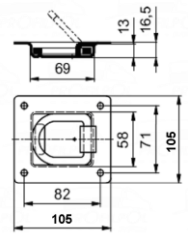
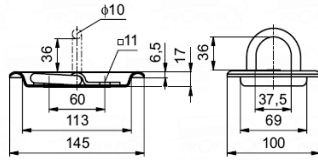


| Cat No | Designation | Weight |
|-----------|---------------|----------|
| 3U2000 | Frame stowing | 0,159 kg |
| Material: | Steel/ZN | Pc. |



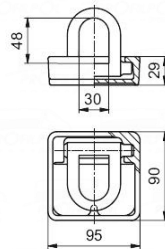
| Cat No | Designation | Weight |
|-----------|-----------------------|---------|
| 3U2003 | Frame stowing, 2000kg | 0,42 kg |
| Material: | Steel/ZN | Pc. |

Floor stowing



| Cat No | Designation | Weight |
|-----------|---------------------|---------|
| 3U801 | Floor stowing 800kg | 0,40 kg |
| Material: | Steel/ZN | Pc. |

| Cat No | Designation | Weight |
|-----------|----------------------|---------|
| 3U1001 | Floor stowing 1000kg | 0,37 kg |
| Material: | Steel/ZN | Pc. |



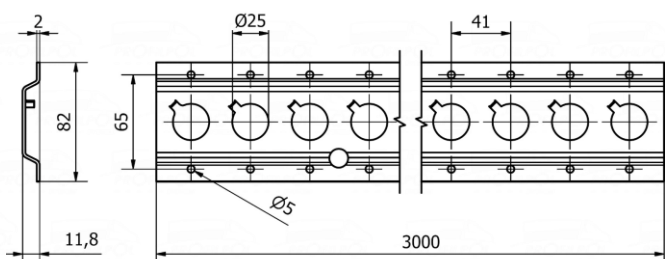
| Cat No | Designation | Weight |
|-----------|----------------------|---------|
| 3U2500 | Floor stowing 2500kg | 0,87 kg |
| Material: | Steel/ZN | Pc. |

Fixing laths

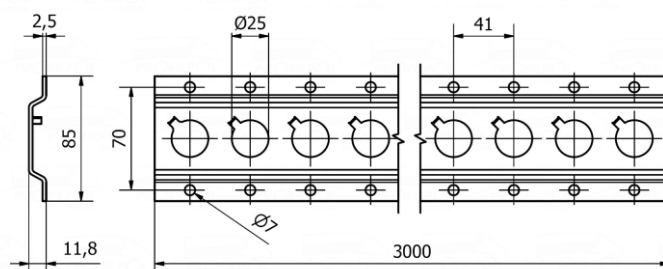


| Cat No | Designation | Weight |
|-------------|--------------------------------|---------|
| 3LZ30006020 | Fixing laths with pins 3000 mm | 2,60 kg |
| Material: | Aluminum | Szt. |

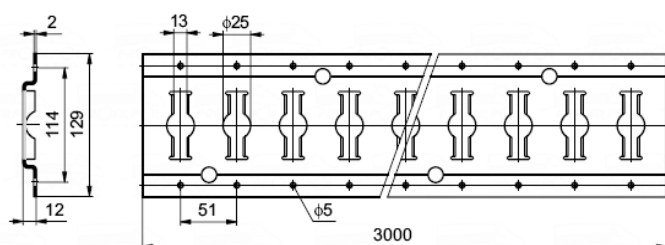
Fixing laths



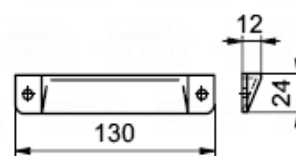
| Cat No | Designation | Weight |
|-----------|----------------------|---------|
| 31LZ8 | Fixing laths, 3050mm | 3,51 kg |
| Material: | Steel/ZN | Pc. |



| Cat No | Designation | Weight |
|-----------|----------------------|---------|
| 31LZ9 | Fixing laths, 3050mm | 4,23 kg |
| Material: | Steel/ZN | Pc. |

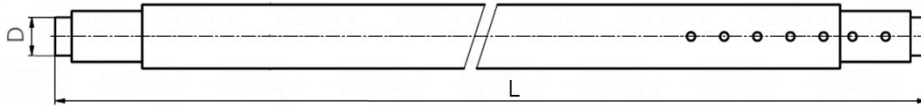


| Cat No | Designation | Weight |
|-----------|----------------------|--------|
| 56LZ5 | Fixing laths, 3000mm | 5,3 kg |
| Material: | Steel/ZN | Pc. |

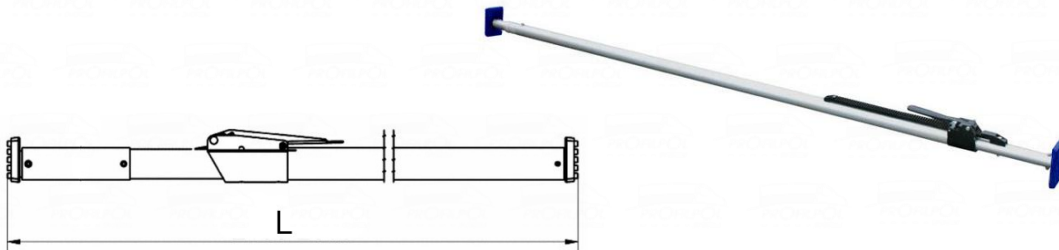


| Cat No | Designation | Weight |
|-----------|-----------------|---------|
| 31ZLZ1 | Fixing lath cap | 0,01 kg |
| Material: | PVC | Pc. |

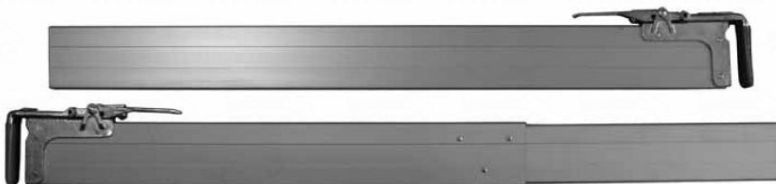
Stowing bars



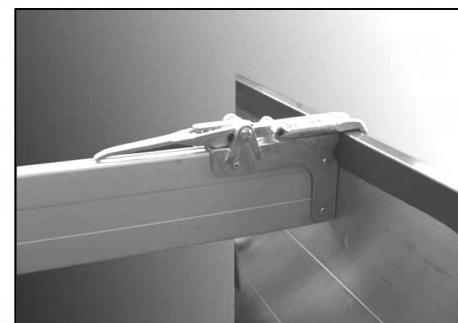
| Length L mm | Diameter D mm | Cat No | Designation | Weight kg/pc | Material |
|-------------|---------------|--------------|-------------------------|--------------|----------|
| 2215 - 2600 | 22 | 33PT1 | Stowing bar 2215-260mm | 3,79 | Aluminum |
| | 19 | 33PT2 | Stowing bar 2215-2600mm | | Aluminum |



| Length L mm | Cat No | Designation | Weight kg/pc | Material |
|-------------|-----------------|--------------------------|--------------|----------|
| 2100-2600 | 3DPR2126 | Stowing bar 2100-2600 mm | 4,57 | Aluminum |
| 2350-2720 | 33DP1 | Stowing bar 2350-2745 mm | 4,78 | Aluminum |



| Cat No | Designation | Weight |
|------------|--------------------------------------|---------|
| 33PB1 | Przegroda międzyburtowa, 2400-2700mm | 8,20 kg |
| Material : | Aluminium/Stal/ZN | Szt. |



Ratchet straps

| Cat No | Designation | Weight |
|------------|------------------------------|---------|
| 3PZE 200 | Pas zabezpieczający ERGO, 1m | 0,80 kg |
| Material : | Metal/tworzywo sztuczne | Szt. |



| Cat No | Designation | Weight |
|-----------|-------------------------------------|---------|
| 3PZ3T | Pas zabezpieczający z hakiem 5m, 3t | 2,10 kg |
| Material: | Steel/ Plastic | Pc. |



| Cat No | Designation | Weight |
|-----------|---------------------------------|---------|
| 3PZ5T | Pas zabezpieczający ERGO 5t, 6m | 2,10 kg |
| Material: | Steel/ Plastic | Pc. |



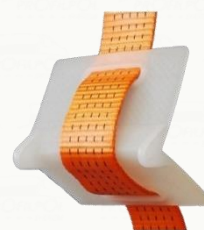
| Cat No | Designation | Weight |
|-----------|---------------------------------|---------|
| 3PZ9T6 | Pas zabezpieczający ERGO 9t, 6m | 2,30 kg |
| Material: | Steel/ Plastic | Pc. |



| Cat No | Designation | Weight |
|-----------|---------------------------------|---------|
| 3ZNP | Zapięcie napinania z pasem Inox | 0,45 kg |
| Material: | Steel/ Plastic | Pc. |



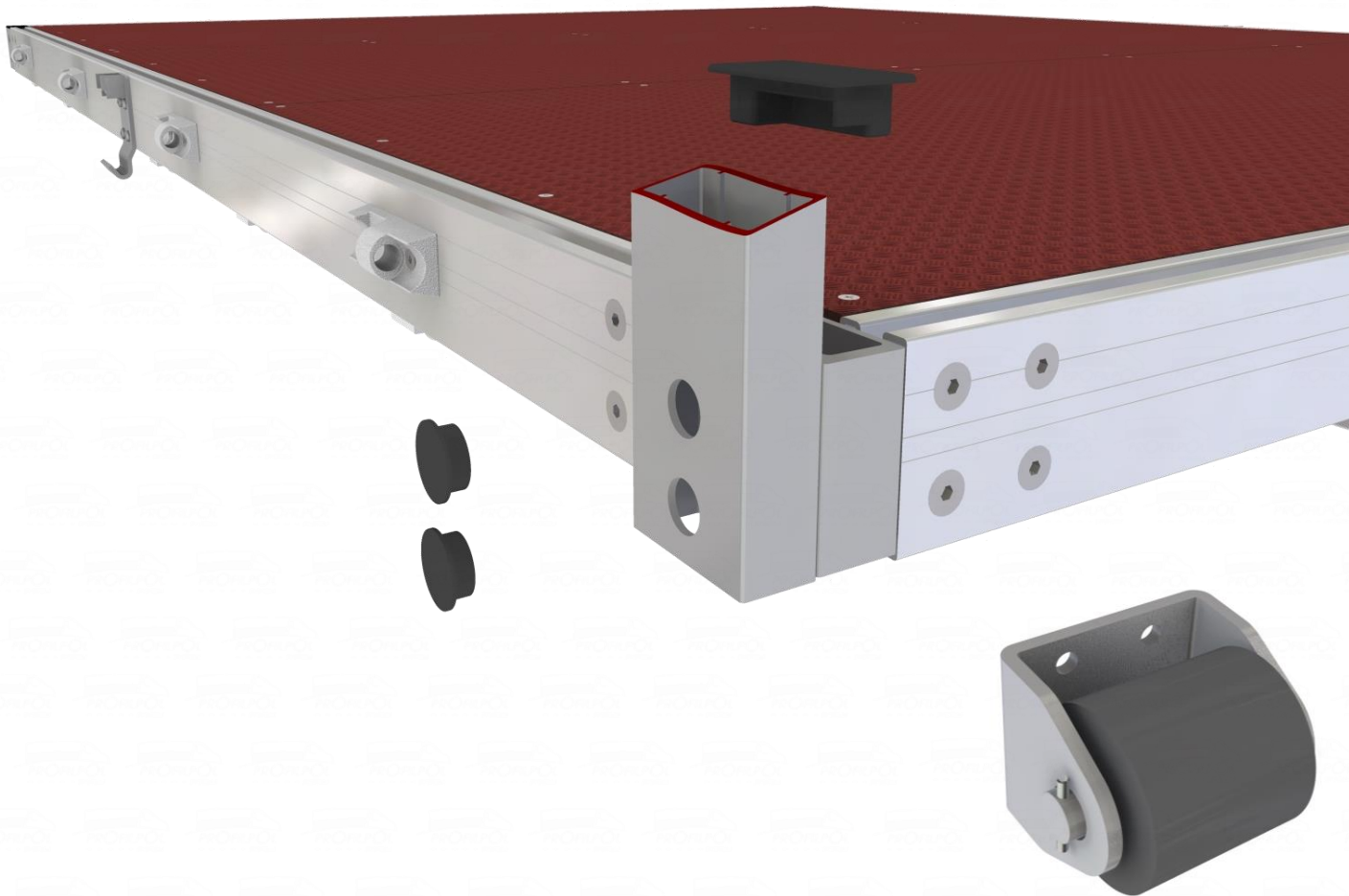
| Cat No | Designation | Weight |
|-----------|---------------------------------|---------|
| 3NZB | Narożnik zabezpieczający, biały | 0,35 kg |
| Material: | Steel/ Plastic | Pc. |



| Cat No | Designation | Weight |
|-----------|---|--------|
| 3PZ1T4 | Pas zabezpieczający ręczny, hak, 4m, 1000kg | 0,8 kg |
| Material: | Steel/ Plastic | Pc. |



11. Cover caps, buffers, roll bumpers



Covers for corners and pillars s. 116

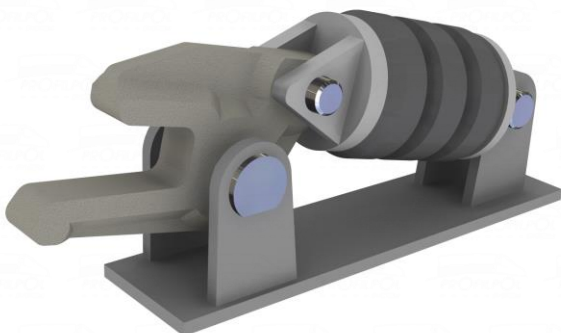
Caps for tubes and profiles s. 117

Caps for underrun protection profiles s. 118

Ruber buffers s. 118

Roll bumpers s. 122

Tipper buffers s. 123



Covers for corners and pillars



| Cat No | Designation | Weight |
|-----------|-------------------|---------|
| 6ZG8040.1 | Left corner cover | 0,05 kg |
| Material: | Rubber | Pc. |



| Cat No | Designation | Weight |
|-----------|--------------------|---------|
| 6ZG8040.2 | Right corner cover | 0,05 kg |
| Material: | Rubber | Pc. |



| Cat No | Designation | Weight |
|-----------|------------------------------------|----------|
| 6ZP 8040 | Plastic corner cover 80mm x40mm | 0,019 kg |
| Material: | Plastic | Pc. |



| Cat No | Designation | Weight |
|-----------|--|----------|
| 6ZP18 | Plastic hole cover for pillar or corner 8035/18mm | 0,002 kg |
| Material: | Plastic | Pc. |

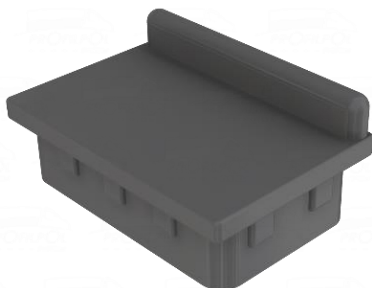


| Cat No | Designation | Weight |
|-----------|--------------------------|----------|
| 6ZP25 | Round cover fi 25 1-3 mm | 0,002 kg |
| Material: | Plastic | Pc. |

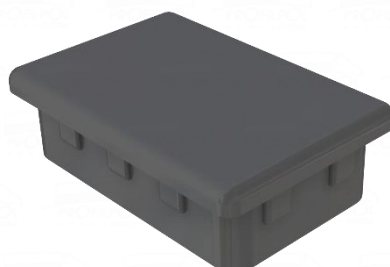


| Cat No | Designation | Weight |
|-----------|--------------------------|----------|
| 6ZP28 | Round cover fi 28 1-3 mm | 0,002 kg |
| Material: | Plastic | Pc. |

Caps for tubes and profiles



| Cat No | Designation | Weight |
|-----------|------------------------|----------|
| 6ZGZ4020 | Cap for sideboard lock | 0,018 kg |
| Material: | Rubber | Pc. |



| Cat No | Designation | Weight |
|-----------|------------------------|----------|
| 6ZG4025 | Cap for sideboard lock | 0,017 kg |
| Material: | Rubber | Pc. |



| Cat No | Designation | Weight |
|-----------|----------------|----------|
| 6ZG8035 | Cap for pillar | 0,031 kg |
| Material: | Rubber | Pc. |



| Cat No | Designation | Weight |
|-----------|----------------------------------|----------|
| 6NGR3010* | Cap for handle 30 mm x 10 mm* | 0,068 kg |
| Material: | Rubber | Pc. |



| Cat No | Designation | Weight |
|-----------|-------------------------|----------|
| 6ZP 8030 | Cap for 80x35 mm pillar | 0,015 kg |
| Material: | Plastic | Pc. |



| Cat No | Designation | Weight |
|-----------|--------------------------|----------|
| 6ZP 6030 | Cap for 60x30 mm profile | 0,011 kg |
| Material: | Plastic | Pc. |

Caps for underrun protection profiles

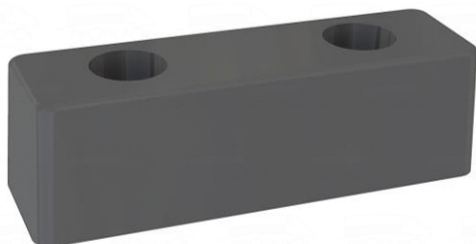


| Cat No | Designation | Weight |
|-----------|--|---------|
| 6ZG 10030 | End cap for side protection profile | 0,44 kg |
| Material: | Rubber | Pc. |



| Cat No | Designation | Weight |
|------------|--|---------|
| 6ZGR 10030 | End cap for side protection profile | 0,63 kg |
| Material: | Rubber | Pc. |

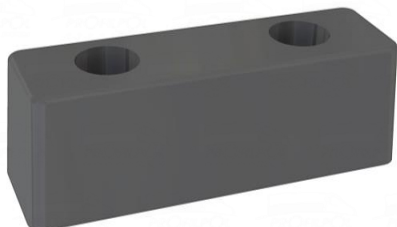
Ruber buffers



| Cat No | Designation | Weight |
|-----------|---------------------------------|----------|
| 6OG 20055 | Rubber buffer 200 mm x 55 mm | 0,731 kg |
| Material: | Rubber | Pc. |



| Cat No | Designation | Weight |
|-----------|---------------------------------|---------|
| 6OG 12075 | Rubber buffer 120 mm x 70 mm | 0,68 kg |
| Material: | Rubber | Pc. |



| Cat No | Designation | Weight |
|-----------|--------------------------|---------|
| 6OG13040* | Rubber buffer 130x40x40* | 0,24 kg |
| Material: | Rubber | Pc. |



| Cat No | Designation | Weight |
|-----------|--------------------------|---------|
| 6OG15080* | Rubber buffer 150x80x90* | 0,98 kg |
| Material: | Rubber | Pc. |

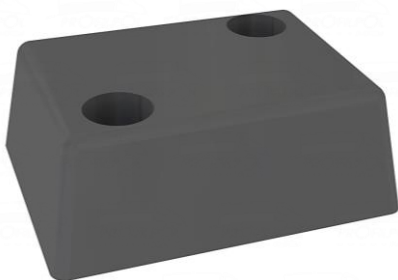
Ruber buffers



| Cat No | Designation | Weight |
|-----------|--------------------------|---------|
| 6OG19080* | Rubber buffer 190x80x80* | 1,15 kg |
| Material: | Rubber | Pc. |



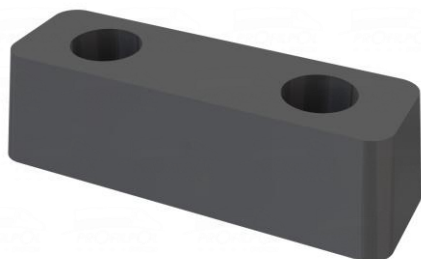
| Cat No | Designation | Weight |
|-----------|---------------------------|---------|
| 6OG19080* | Rubber buffer 190x80x110* | 1,55 kg |
| Material: | Rubber | Pc. |



| Cat No | Designation | Weight |
|------------|---------------------------|---------|
| 6OG165125* | Rubber buffer 165x125x60* | 1,29 kg |
| Material: | Rubber | Pc. |



| Cat No | Designation | Weight |
|------------|---------------------------|---------|
| 6OG200150* | Rubber buffer 200x150x80* | 2,18 kg |
| Material: | Rubber | Pc. |



| Cat No | Designation | Weight |
|-----------|--------------------------|---------|
| 6OG17060* | Rubber buffer 170x60x50* | 0,49 kg |
| Material: | Rubber | Pc. |



| Cat No | Designation | Weight |
|-----------|--------------------------|---------|
| 6OG11025* | Rubber buffer 110x25x30* | 0,12 kg |
| Material: | Rubber | Pc. |

Ruber buffers



| Cat No | Designation | Weight |
|------------|--------------------------|---------|
| 6OG220100* | Rubber buffer 220 x 100* | 0,54 kg |
| Material: | Rubber, Steel, ZN | Pc. |



| Cat No | Designation | Weight |
|-----------|------------------------|---------|
| 6OG8080* | Rubber buffer 80 x 80* | 0,22 kg |
| Material: | Rubber, Steel, ZN | Pc. |



| Cat No | Designation | Weight |
|-----------|-------------------------|---------|
| 6OG5055 | Rubber buffer 60x55xM10 | 0,34 kg |
| Material: | Rubber, Steel, ZN | Pc. |



| Cat No | Designation | Weight |
|-----------|------------------------|---------|
| 6OG3030 | Rubber buffer 30x30xM8 | 0,30 kg |
| Material: | Rubber, Steel, ZN | Pc. |



| Cat No | Designation | Weight |
|-----------|-------------------|---------|
| 6OGS90* | Rubber buffer 90* | 0,42 kg |
| Material: | Rubber, Steel, ZN | Pc. |



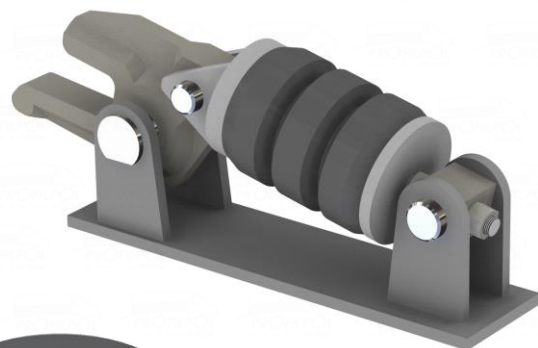
| Cat No | Designation | Weight |
|-----------|-------------------|---------|
| 6OGS | Rubber buffer 105 | 0,52 kg |
| Material: | Rubber, Steel, ZN | Pc. |

Ruber buffers



| Cat No | Designation | Weight |
|-----------|-------------------------|---------|
| 6OG37570* | Rubber buffer 375x70x65 | 1,72 kg |
| Material: | Rubber | Pc. |

| Cat No | Designation | Weight |
|-----------|-----------------------|---------|
| 6OG59075* | Rubber buffer 590x75* | 2,92 kg |
| Material: | Rubber | Pc. |



| Cat No | Designation | Weight |
|------------|--------------------------|--------|
| 6OG155170* | Rubber buffer fi155x170* | 3,9 kg |
| Material: | Rubber, Steel, ZN | Pc. |



| Cat No | Designation | Weight |
|------------|-------------------------|---------|
| 6OG110150* | Rubber buffer fi110x150 | 1,17 kg |
| Material: | Rubber | Pc. |

Odboje rolkowe



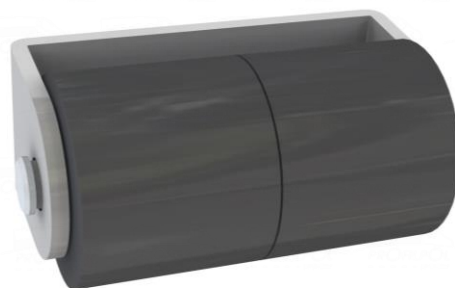
| Cat No | Designation | Weight |
|-----------|-------------------|---------|
| 6OGR 7575 | Roll bumper 75x75 | 1,36 kg |
| Material: | Rubber, Steel, ZN | Pc. |



| Cat No | Designation | Weight |
|-----------|--------------------------|---------|
| 60GRP7575 | Double roll bumper 75x75 | 2,19 kg |
| Material: | Rubber, Steel, ZN | Pc. |



| Cat No | Designation | Weight |
|------------------|--------------------------------------|---------|
| 60GR1002 TYP1 | Double roll bumper 100x100 type 1 | 4,75 kg |
| Material: | Rubber, Steel, ZN | Pc. |

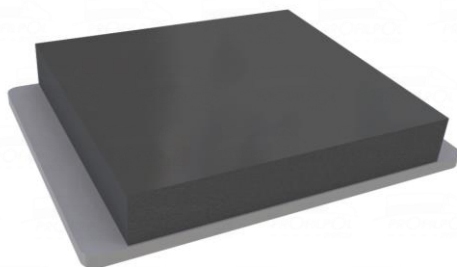


| Cat No | Designation | Weight |
|------------------|--------------------------------------|---------|
| 60GR1002 TYP2 | Double roll bumper 100x100 type 2 | 4,45 kg |
| Material: | Rubber, Steel, ZN | Pc. |



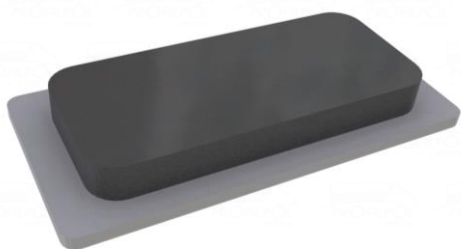
| Cat No | Designation | Weight |
|---------------------|--------------------------|---------|
| 6OGR ROLL STOP * | Roll bumper- ROLL STOP * | 5,78 kg |
| Material: | Rubber, Steel, ZN | Pc. |

Podkładki do wywrotek



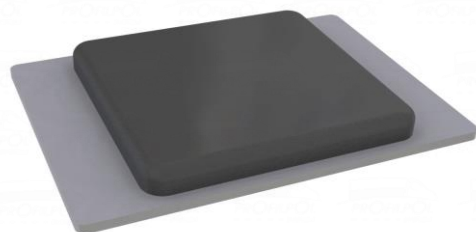
| Cat No | Designation | Weight |
|------------|--------------------------|---------|
| 6PGS12060* | Tipper buffer 120x60x20* | 0,36 kg |
| Material: | Rubber, Steel, ZN | Pc. |

| Cat No | Designation | Weight |
|------------|--------------------------|---------|
| 6PGS12090* | Tipper buffer 120x90x20* | 0,49 kg |
| Material: | Rubber, Steel, ZN | Pc. |



| Cat No | Designation | Weight |
|------------|--------------------------|---------|
| 6PGA12060* | Tipper buffer 120x60x20* | 0,17 kg |
| Material: | Rubber, Aluminum | Pc. |

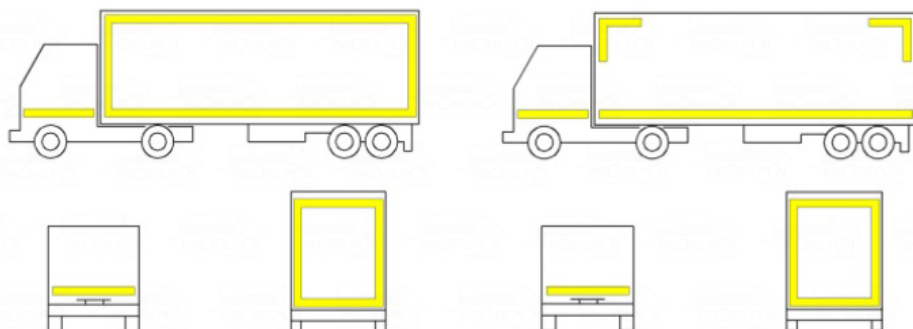
| Cat No | Designation | Weight |
|-----------|--------------------------|---------|
| 6PGA14080 | Tipper buffer 140x80x40* | 0,48 kg |
| Material: | Rubber, Aluminum | Pc. |



| Cat No | Designation | Weight |
|-------------|--------------------------|--------|
| 6PGA170x60* | Tipper buffer 170x60x16* | 0,2 kg |
| Material: | Rubber, Aluminum | Pc. |

| Cat No | Designation | Weight |
|-------------|---------------------------|---------|
| 6PGA170120* | Tipper buffer 170x120x20* | 0,41 kg |
| Material: | Rubber, Aluminum | Pc. |

12. Tarpaulin fixings, reflective tapes



Lashing rings

str. 125

Others

str. 126

Chwytki naburtowe



| Cat No | Designation | Weight |
|-----------|--------------------------------|----------|
| 10CH30 O | Chwytko naburtowe H30 obrotowe | 0,039 kg |
| Material: | Steel/ZN | Pc. |



| Cat No | Designation | Weight |
|-----------|-------------------------------|----------|
| 10CH30 S | Chwytko naburtowe stałe 30x71 | 0,039 kg |
| Material: | Steel/ZN | Pc. |



| Cat No | Designation | Weight |
|-----------|---------------------|----------|
| 10CHSZ25S | Lashing ring 25 fix | 0,036 kg |
| Material: | Steel/ZN | Pc. |



| Cat No | Designation | Weight |
|-----------|---------------------|----------|
| 10CH30 OW | Lashing ring H20x25 | 0,034 kg |
| Material: | Steel/ZN | Pc. |



| Cat No | Designation | Weight |
|------------|----------------------|----------|
| 10CHSZ30 S | Lashing ring H30 fix | 0,038 kg |
| Material: | Steel/ZN | Pc. |



| Cat No | Designation | Weight |
|-----------|----------------------------|----------|
| 10CH55S | Lashing ring 55 x30 curved | 0,039 kg |
| Material: | Steel/ZN | Pc. |

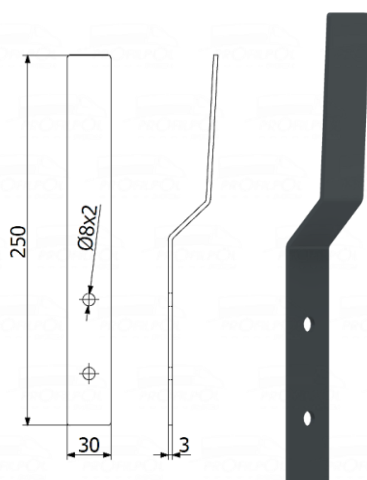
Linki celne, taśmy, haki



| Cat No | Designation | Weight |
|-----------|---------------|---------|
| 10HZ35 | Strap hook 35 | 0,18 kg |
| Material: | Steel/ZN | Pc. |



| Cat No | Designation | Weight |
|-----------|-----------------|----------|
| 10HP253 | Cover hook 25x3 | 0,015 kg |
| Material: | Steel/ZN | Pc. |



| Cat No | Designation | Weight |
|-----------|---------------------|----------|
| 3UL250 | Uchwyt linki celnej | 0,184 kg |
| Material: | Steel/ZN | Pc. |

| Cat No | Designation | Weight |
|------------|--|----------|
| 10TK50 Z/B | Reflective tape: red, yellow or white | 0,021 kg |
| Material: | Plastic | Pc. |

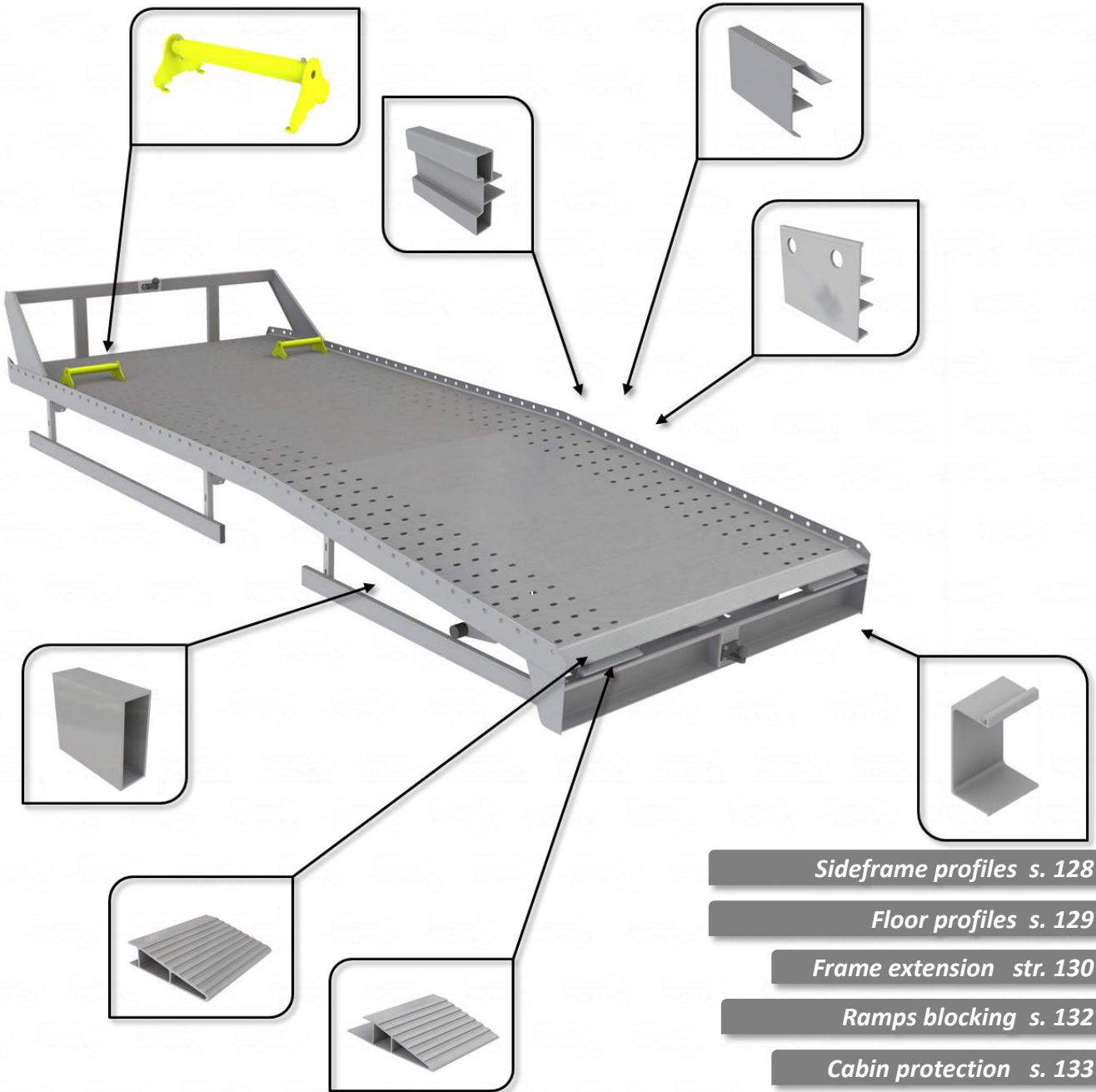


| Cat No | Designation | Weight |
|-----------|-----------------------------------|-----------|
| 10LC6250 | Linka celna $\varnothing 6$ 250 m | 0,05 kg/m |
| Material: | Steel, Plastic | Pc. |



| Cat No | Designation | Weight |
|-----------|----------------|---------|
| 10E120 | Ekspander 120 | 0,20 kg |
| Material: | Steel, Plastic | Pc. |

13. Car transporters - profiles and accesories



Sideframe profiles s. 128

Floor profiles s. 129

Frame extension str. 130

Ramps blocking s. 132

Cabin protection s. 133

Car trolleys s. 134

Wheel chocks s. 135

Rubber caps s. 135

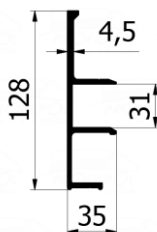
Car transporter kits s. 136

Movable winch s. 138

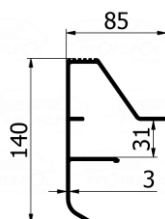
Ramps profiles s. 139

Ramps s. 140

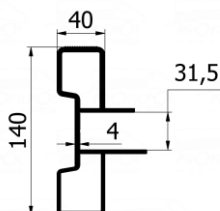
Sideframe profiles

L**NOWOŚĆ!**

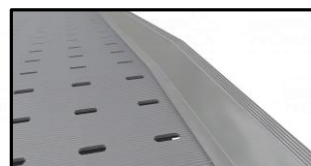
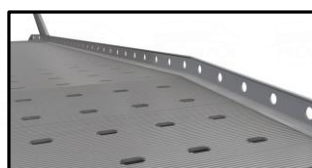
| Cat No | Designation | Weight |
|------------|--------------------------------|------------|
| 22.21.4489 | Sideframe profile LIGHT | 2,138 kg/m |
| Material: | Aluminum | L- 5,2 m |

M**NOWOŚĆ!**

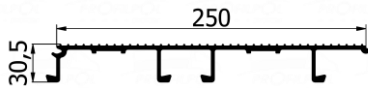
| Cat No | Designation | Weight |
|-----------|---------------------------------|-----------|
| 22.211189 | Sideframe profile MEDIUM | 2,56 kg/m |
| Material: | Aluminum | L- 5,2 m |

H

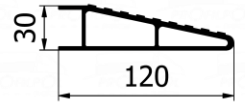
| Cat No | Designation | Weight |
|-------------|--------------------------------|------------|
| 22.21.87941 | Sideframe profile HEAVY | 3,988 kg/m |
| Material: | Aluminum | L- 8,0 m |



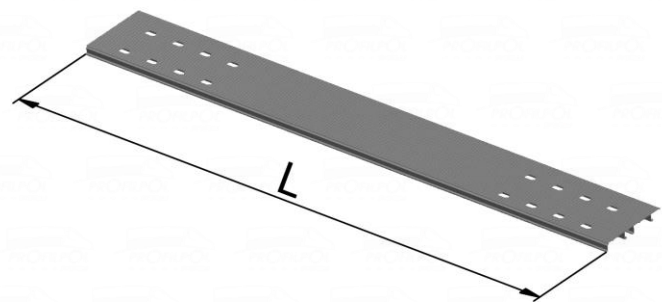
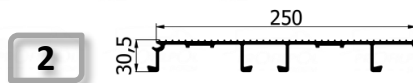
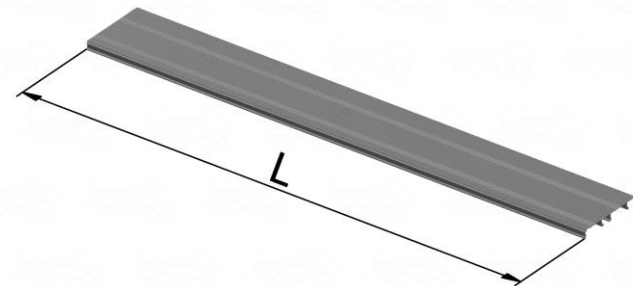
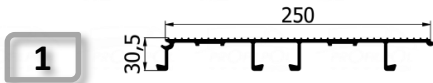
Floor profiles



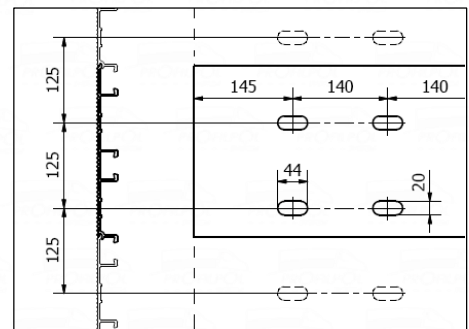
| Cat No | Designation | Weight |
|------------|----------------------|------------|
| 22.21.5106 | Floor profile 250 mm | 3,574 kg/m |
| Material: | Aluminum | L - 6,65 m |



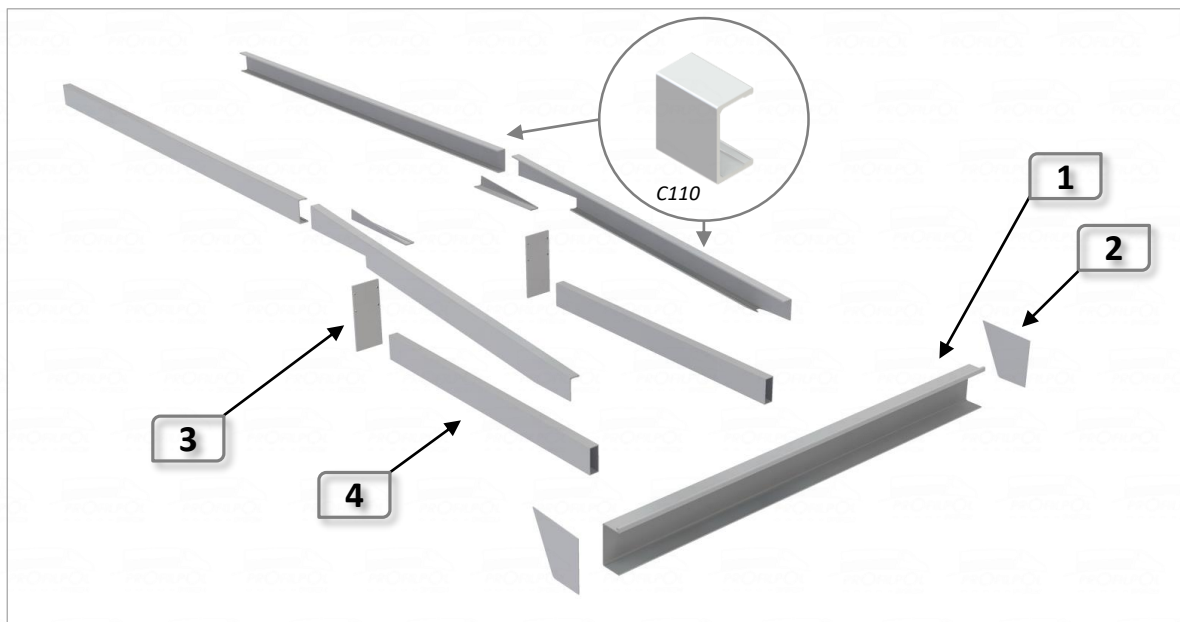
| Cat No | Designation | Weight |
|-------------|--------------------------|-----------|
| 22.21.88168 | Floor ending profile 120 | 2,11 kg/m |
| Material: | Aluminum | L - 4,5 m |



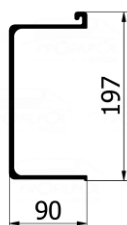
| Drawing | Designation | Length L | Weight kg/szt. | Cat No |
|---------|------------------------|----------|----------------|------------------|
| 1. | Floor panel | L=2,1 m | 7,50 | 18PP350210030ALU |
| | Floor panel | L=2,2 m | 8,03 | 18PP350220030ALU |
| 2. | Floor panel with holes | L=2,1 m | 7,38 | 18PP350210030ALU |
| | Floor panel with holes | L=2,2 m | 7,91 | 18PP350220030ALU |



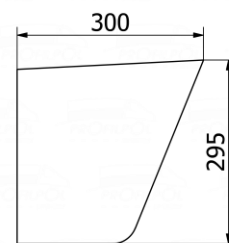
Frame extension



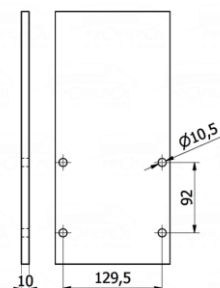
1



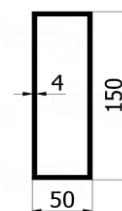
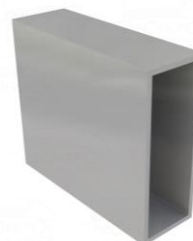
2



3



4



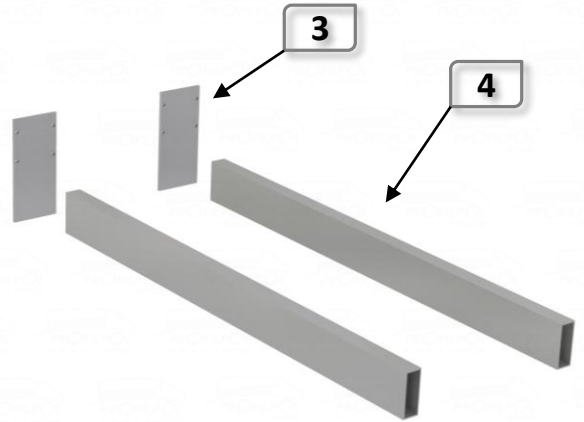
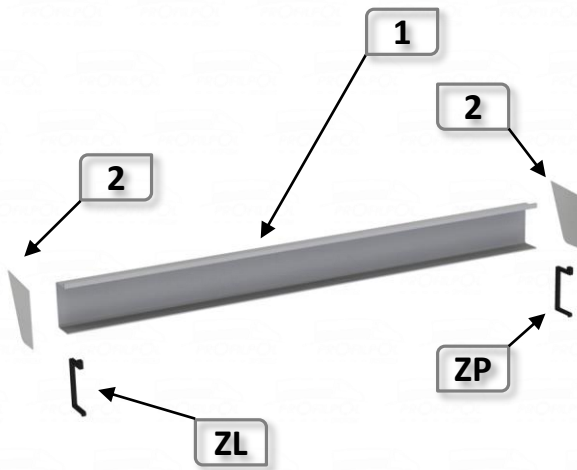
| Cat No | Designation | Weight |
|-------------|-------------|------------------------|
| 18ZA2100ALU | Rear bumper | 4,73 kg/m |
| Material: | Aluminum | L - 2,1 m L - 4,5 m |

| Cat No | Designation | Weight |
|-----------------|--------------|---------|
| 18BZZ3342284ALU | Bumper plate | 0,51 kg |
| Material: | Aluminum | sz. |

| Cat No | Designation | Weight |
|----------------------|-------------------|--------|
| 18BMR33015010 ALU | Frame joint plate | 1,4 kg |
| Material: | Aluminum | sz. |

| Cat No | Designation | Weight |
|--------------|-------------------------|---------------------------------|
| 22.21.150504 | Frame extension profile | 4,17 kg/m |
| Material: | Aluminum | L - 1,5 m L - 3 m L - 6 m |

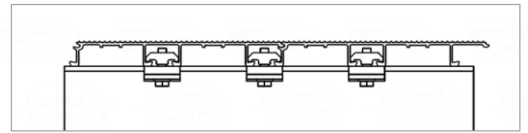
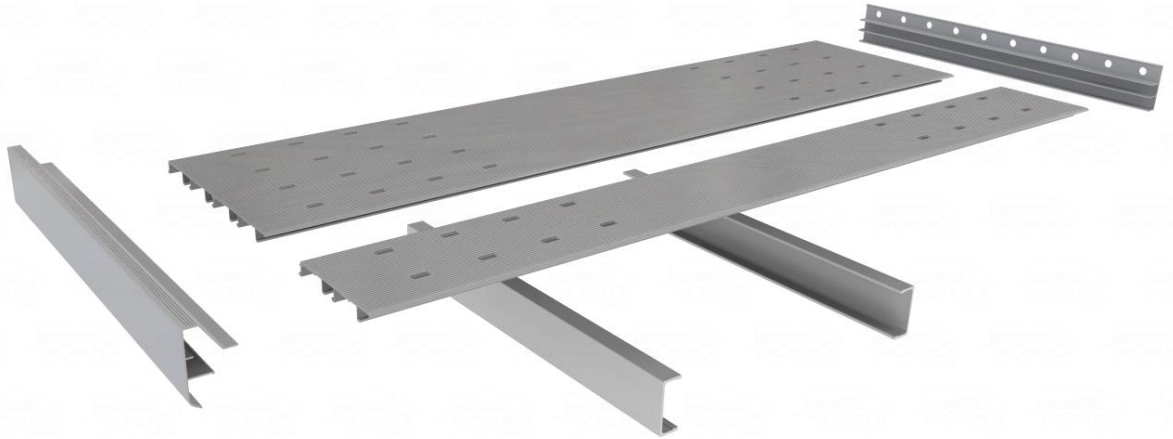
Frame extension



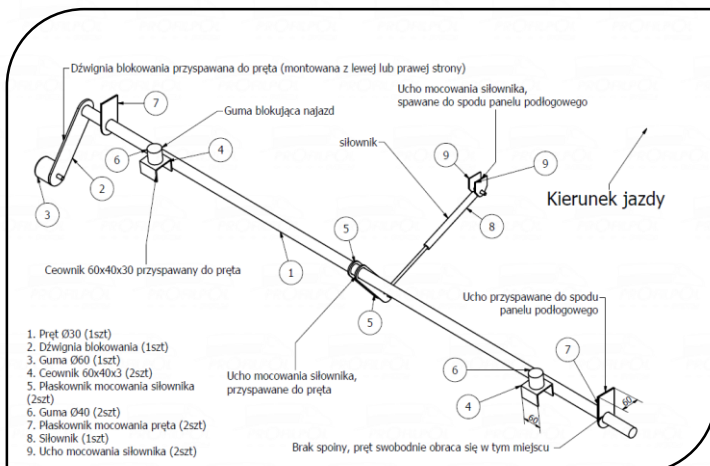
| Nr kat. | Nazwa | Waga kg |
|------------------|---------------------|-----------------|
| 182100245 | Bumper set | 11,45 kg |
| Material: | Aluminum, Ruber | Set. |
| Nr rys. | Nazwa | Nr kat. |
| 1 | Rear bumper 2100 mm | 18ZA2100ALU |
| 2 | Bumper plate | 18BZZ3342284ALU |
| ZL | Bumper cap- left | 6ZG201101 L |
| ZP | Bumper cap-right | 6ZG201101 P |

| Nr kat. | Nazwa | Waga kg |
|------------------|-------------------------|-------------------|
| 181305015 | Frame extension set | 14,023 kg |
| Material: | Aluminum | Set. |
| Nr rys. | Nazwa | Nr kat. |
| 3 | Frame joint plate | 18BMR33015010 ALU |
| 4 | Frame extension profile | 22.21.150504 |



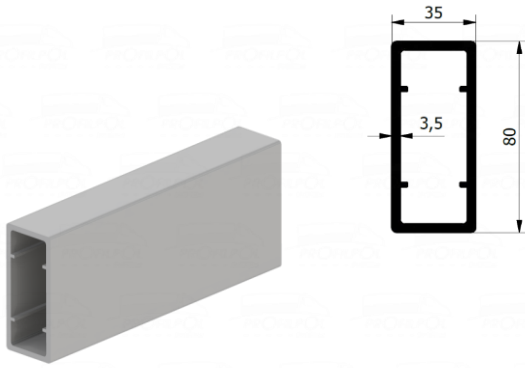


Ramps blocking

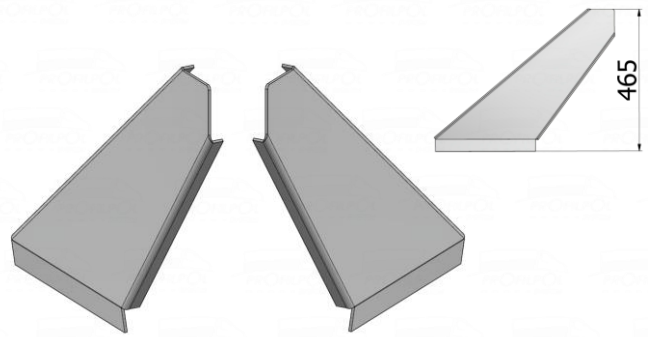


| Cat No | Designation | Weight |
|------------------|----------------|---------|
| 18302100 | Ramps blocking | 4,20 kg |
| Material: | Steel, ZN | Set |

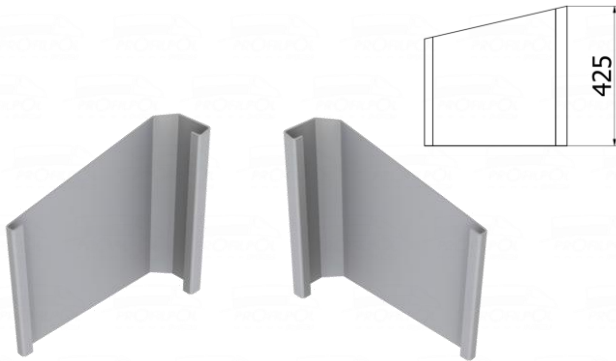
Cabin protection



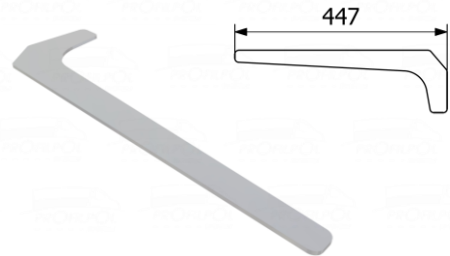
| Cat No | Designation | Weight |
|------------|---------------|------------|
| 22.22.4281 | Profile 80x35 | 2,103 kg/m |
| Material: | Aluminum | LM |



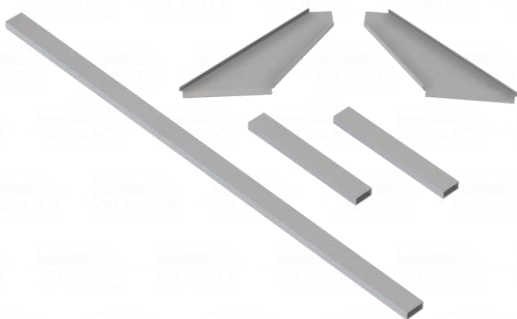
| Cat No | Designation | Weight |
|-----------|---|-----------|
| 18BZK.1 | Cabin protection elements for LIGHT version | 2,96 kg |
| Material: | Aluminum | set L + R |



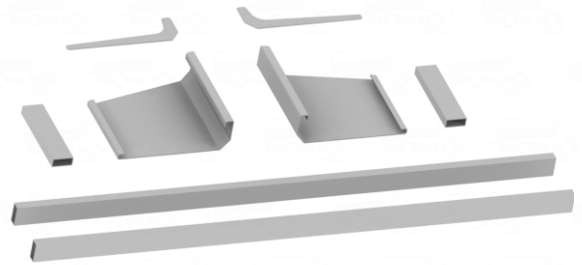
| Cat No | Designation | Weight |
|-----------|--|-----------|
| 18BZK.2 | Cabin protection elements for MEDIUM version | 5,16 kg |
| Material: | Aluminum | set L + R |



| Cat No | Designation | Weight |
|-----------|--|---------|
| 18GBZ.2 | Cabin protection elements for MEDIUM version | 0,21 kg |
| Material: | Aluminum | Pc. |

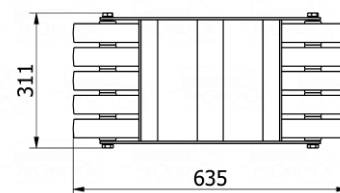
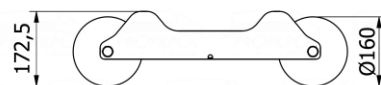


| Cat No | Designation | Weight |
|----------------|------------------------|---------|
| 18BAS781391171 | LIGHT cabin protection | 9,27 kg |
| Material: | Aluminum | Set |

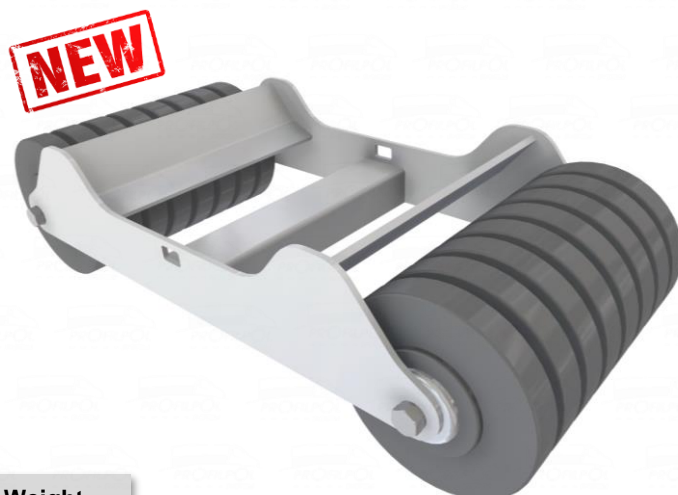
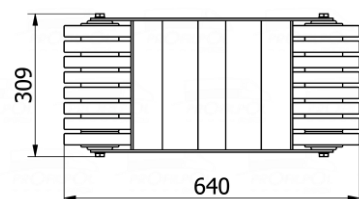
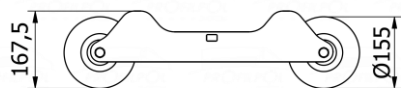


| Cat No | Designation | Weight |
|-----------|-------------------------|----------|
| 182200425 | MEDIUM cabin protection | 15,35 kg |
| Material: | Aluminum | Set |

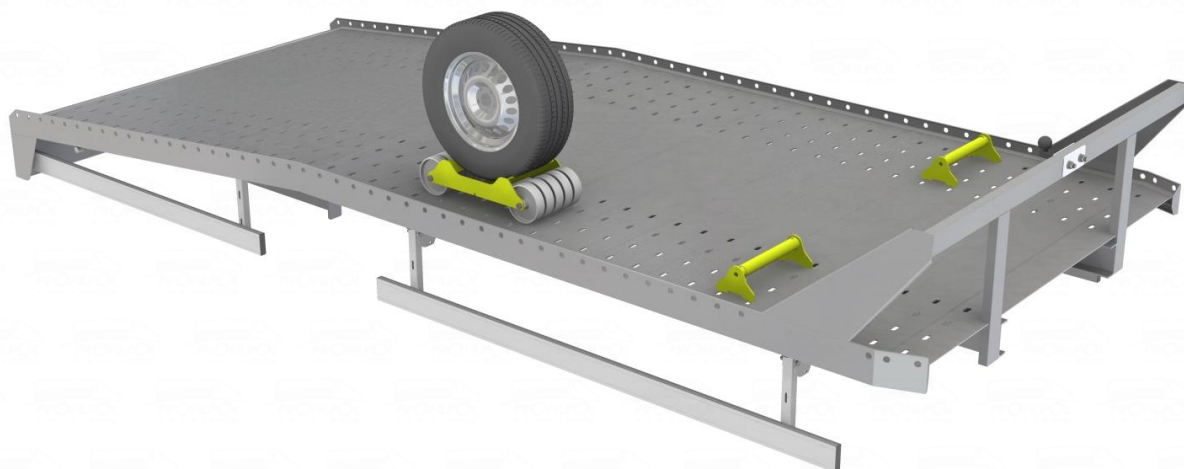
Car trolleys



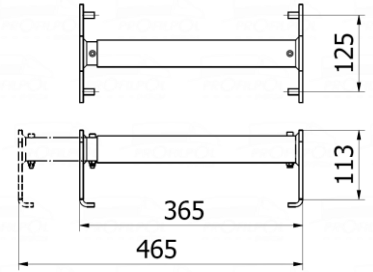
| Cat No | Designation | Weight |
|------------------|----------------------------|---------|
| 18510290.1 | Car trolley with PA wheels | 10,5 kg |
| Material: | Steel : ZN, RAL | Szt. |



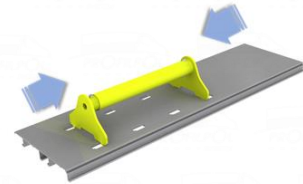
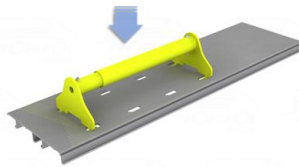
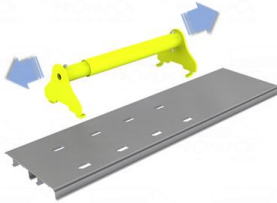
| Cat No | Designation | Weight |
|------------------|--------------------------------|---------|
| 18510290.2 | Car trolley with rubber wheels | 14,7 kg |
| Material: | Steel : ZN | Szt. |



Wheel chocks



| Cat No | Designation | Weight |
|------------------|---------------------|---------|
| 18KL125 | Wheel chocks 125 mm | 2,45 kg |
| Material: | Steel : ZN, RAL | Szt. |



Rubber caps

L



P



L



P

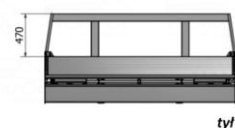
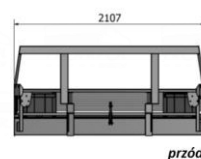
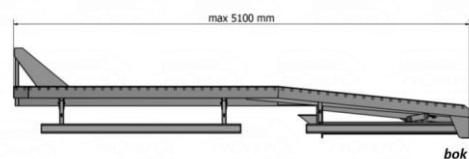
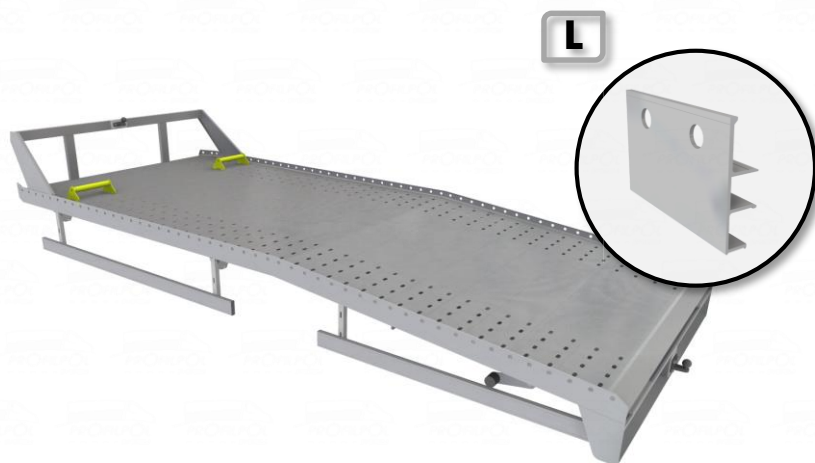


| Cat No | Designation | Weight |
|------------------|------------------|----------|
| 6ZG201101 L | Bumper cap- left | 0,248 kg |
| 6ZG201101 P | Bumper cap-right | 0,248 kg |
| Material: | Rubber | Szt. |

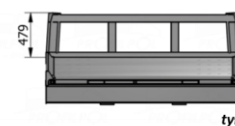
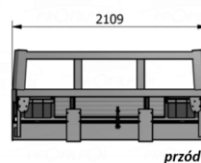
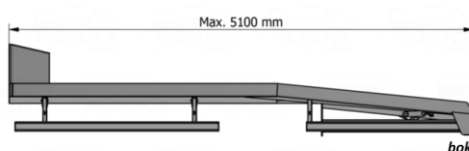
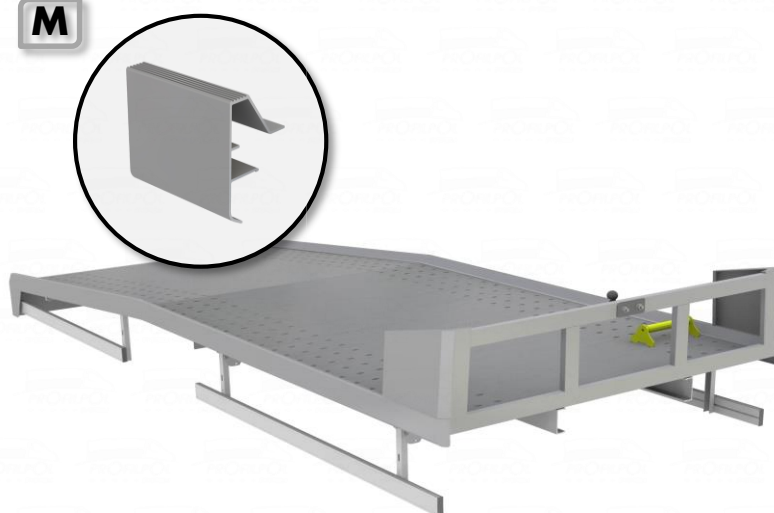
| Cat No | Designation | Weight |
|------------------|---------------------------------|----------|
| 6ZG9825 L | Floor ending profile cap- left | 0,043 kg |
| 6ZG9825 P | Floor ending profile cap- right | 0,043 kg |
| Material: | Rubber | Szt. |

Car transporter kits

L



M



Car transporter kits



Light
Car transporter kit

| | |
|---|---------|
| Subframe profile <i>C110 - length 5,2m</i> | 2 pcs. |
| Sideframe profile <i>Light - length 5,2m</i> | 2 pcs. |
| Frame extension profile <i>150x50x4 - length 3m</i> | 1 pc. |
| Frame joint plate | 2 pcs. |
| Floor panel with holes - length 2100 mm | 20 pcs. |
| Zakończenie najazdu - length 2100 mm | 1 pc. |
| Rear bumper - length 2100 mm | 1 pc. |
| Rear bumper set | 2 pcs. |
| Light cabin protection - set | 1 pc. |
| Ramps - length 2500mm (standard) | 2 pcs. |
| Ramp guiding profiles - length 2500 mm | 4 pcs. |
| Ramp blocking - set | 1 pc. |



Medium
Car transporter kit

| | |
|---|---------|
| Subframe profile <i>C110 - length 5,2m</i> | 2 pcs. |
| Sideframe profile <i>Medium - length 5,2m</i> | 2 pcs. |
| Frame extension profile <i>150x50x4 - length 3m</i> | 1 pc. |
| Frame joint plate | 2 pcs. |
| Floor panel with holes - length 2100 mm | 20 pcs. |
| Zakończenie najazdu - length 2100 mm | 1 pc. |
| Rear bumper - length 2100 mm | 1 pc. |
| Rear bumper set | 2 pcs. |
| Medium cabin protection - set | 1 pc. |
| Ramps - length 2500mm (standard) | 2 pcs. |
| Ramp guiding profiles - length 2500 mm | 4 pcs. |
| Ramp blocking - set | 1 pc. |

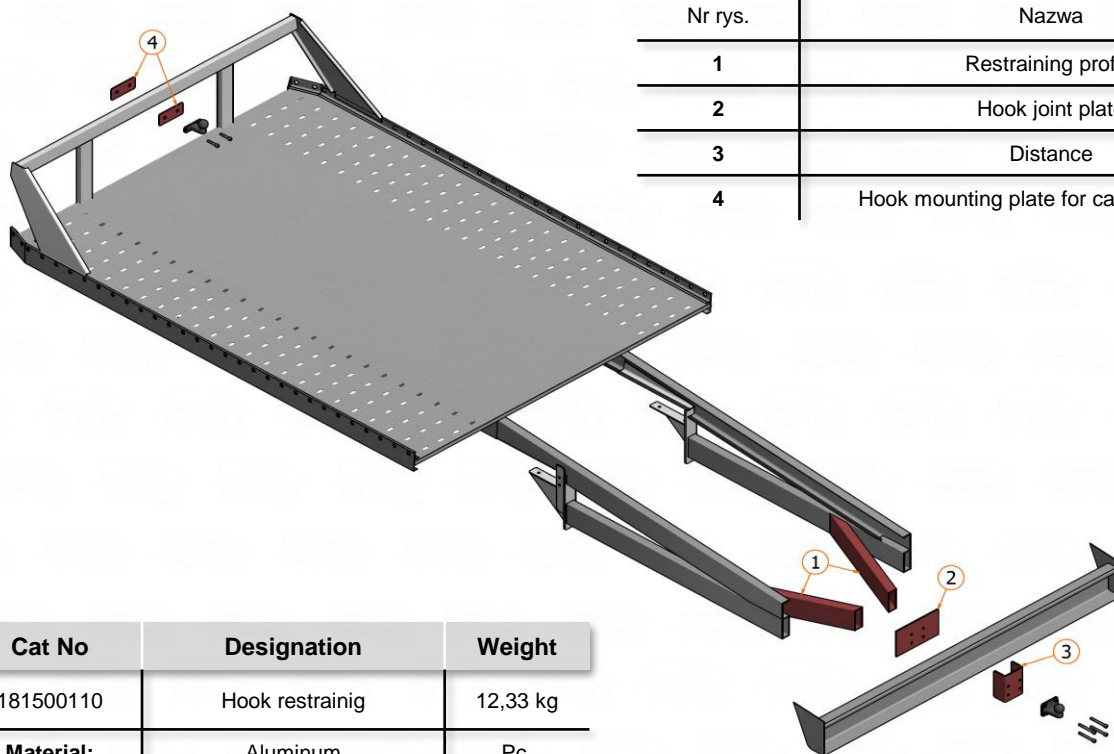
| Cat No | Designation | Weight |
|------------------|--|--------|
| 18ZL22005200 | <i>Light</i> <i>Car transporter kit</i> | 314 kg |
| Material: | Aluminum | Set |

| Cat No | Designation | Weight |
|------------------|---|--------|
| 18ZL22005200.2 | <i>Medium</i> <i>Car transporter kit</i> | 325 kg |
| Material: | Aluminum | Set |

Elementy wyposażenia opcjonalnego

| | | |
|--------------------------|-----------------------------|--|
| <input type="checkbox"/> | Zestaw wzmocnień haka | |
| <input type="checkbox"/> | Klin lawety 125 | |
| <input type="checkbox"/> | Oświetlenie LED | |
| <input type="checkbox"/> | Hak kulowy 4 śruby | |
| <input type="checkbox"/> | Hak kulowy 2 śruby | |
| <input type="checkbox"/> | Profil osłony antyrowerowej | |
| <input type="checkbox"/> | Uchwyt osłony antyrowerowej | |
| <input type="checkbox"/> | Zworka aluminiowa łącząca | |
| <input type="checkbox"/> | Zworka aluminiowa 106x15x4 | |
| <input type="checkbox"/> | Konsola uniwersalna | |
| <input type="checkbox"/> | Sprężyna konsoli | |

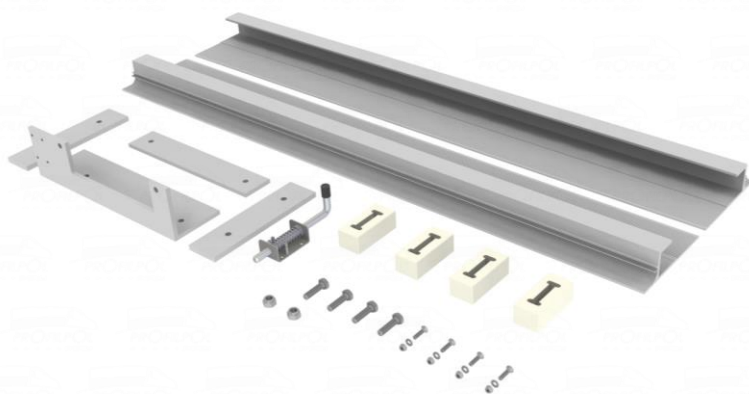
Car transporter kits



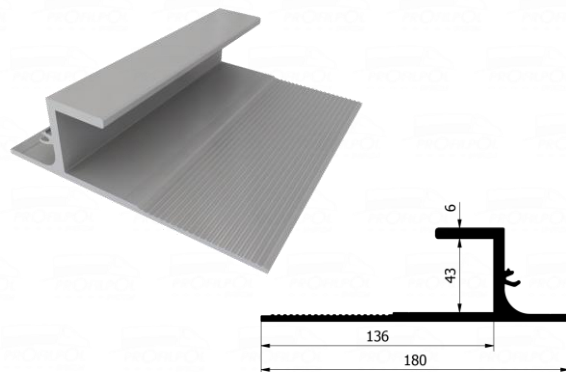
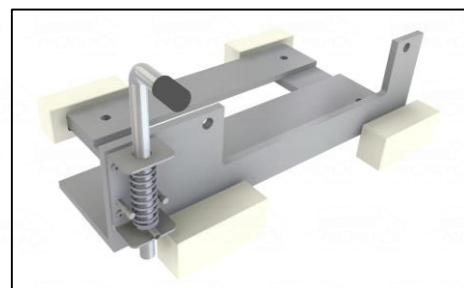
| Nr rys. | Nazwa |
|---------|--|
| 1 | Restraining profile |
| 2 | Hook joint plate |
| 3 | Distance |
| 4 | Hook mounting plate for cabin protection |

| Cat No | Designation | Weight |
|------------------|------------------|----------|
| 181500110 | Hook restraining | 12,33 kg |
| Material: | Aluminum | Pc. |

Movable winch



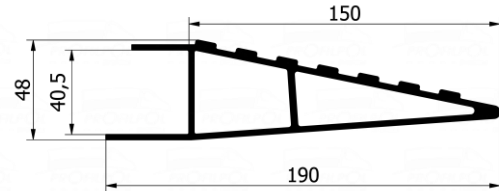
| Cat No | Designation | Weight |
|------------------|-------------------|------------------|
| 18365236 | Movable winch set | 18,17 kg |
| Material: | Aluminum | L- 2,1m; 2,2m |



| Cat No | Designation | Weight |
|------------------|-------------------------------|---------------|
| 22.21.83470 | Profile for movable winch set | 3,55 kg/m |
| Material: | Aluminum | L- 2,1m; 2,2m |

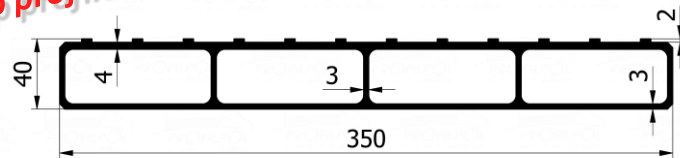
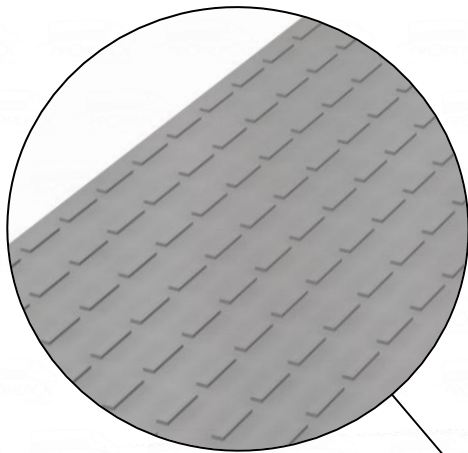


Ramps profiles

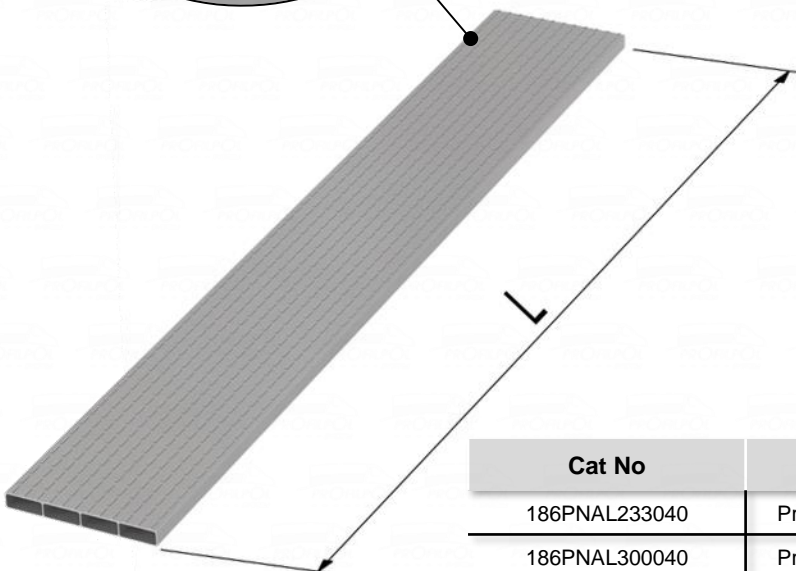


| Cat No | Designation | Weight |
|-------------|---------------------|-----------|
| 22.21.04474 | Ramp ending profile | 3,53 kg/m |
| Material: | Aluminum | L - 4,2 m |

NEW
NEW ramp profile!!!



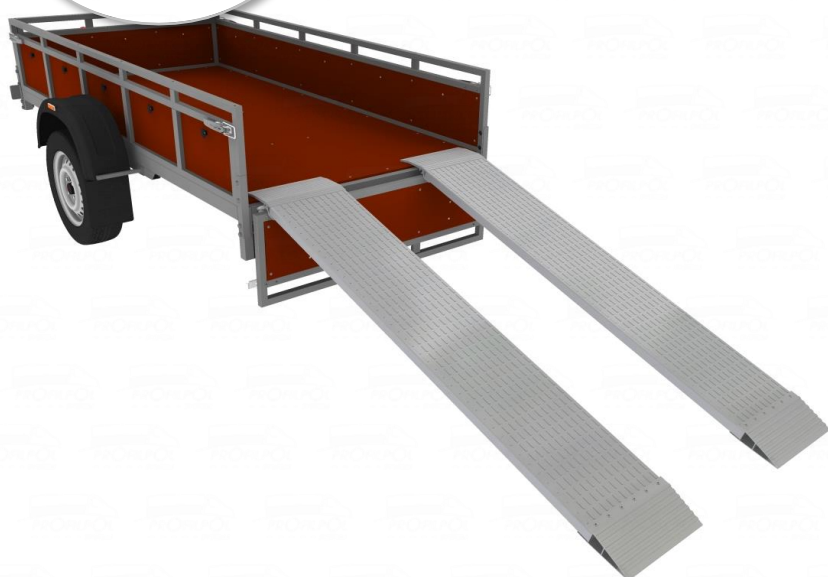
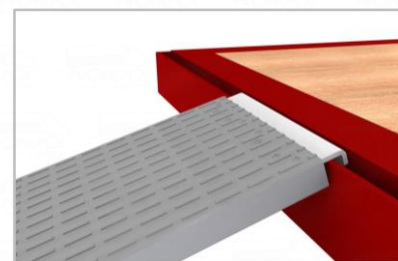
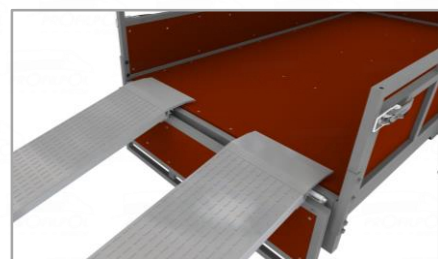
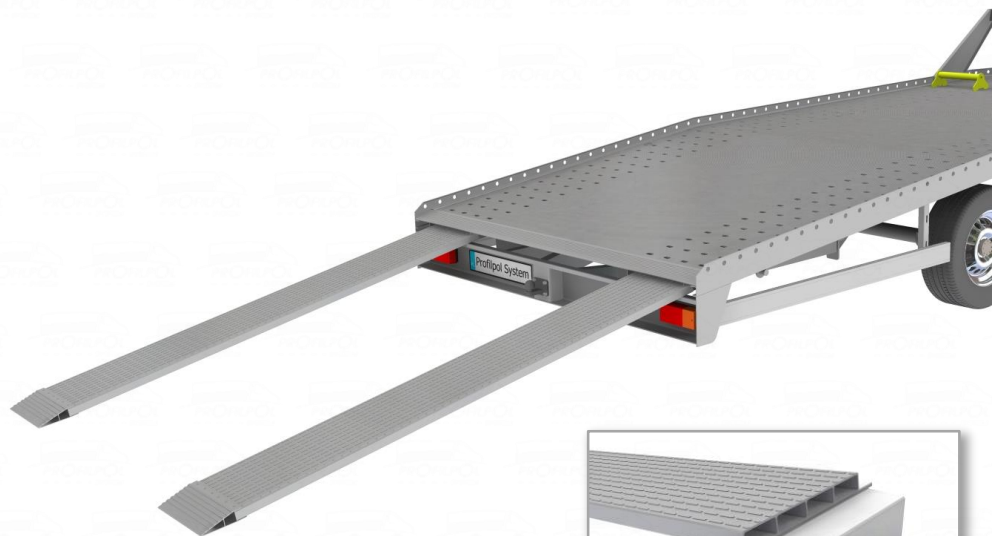
| Cat No | Designation | Weight |
|-------------|--------------|-------------|
| 22.21.14725 | Ramp profile | 8,445 kg/m |
| Material: | Aluminum | L - 4,665 m |



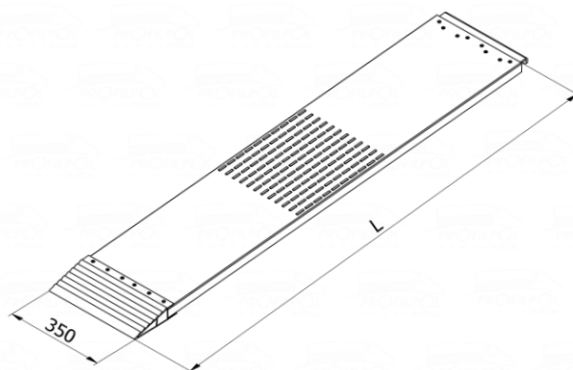
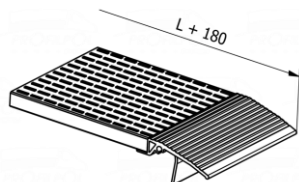
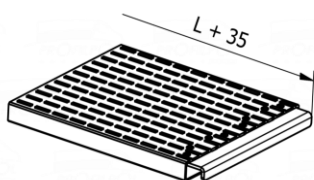
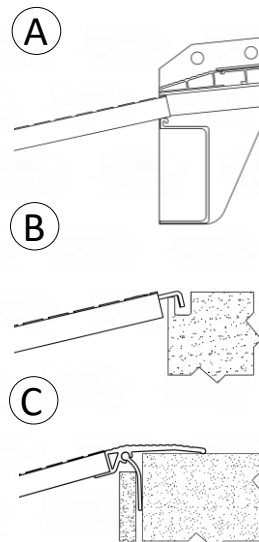
| Cat No | Designation | Length L | Weight kg/szt. |
|---------------|--------------------------|----------|----------------|
| 186PNAL233040 | Profil najazdu frezowany | L=2,33 m | 19,67 kg |
| 186PNAL300040 | Profil najazdu frezowany | L=3,00 m | 23,33 kg |

Ramps

NEW
NEW ramp profile!!!



Typ zakończenia:



| Cat No | Designation | Length L | Weight kg/szt. |
|-------------------------|----------------------|----------|----------------|
| 186NA233040 (A,B lub C) | Aluminum Ramp 2,5 m | L=2,48 m | 20,7* kg |
| 186NA300040 (A,B lub C) | Aluminum Ramp 3,15 m | L=3,15 m | 23,8* kg |

NEW
NEW ramp profile!!!

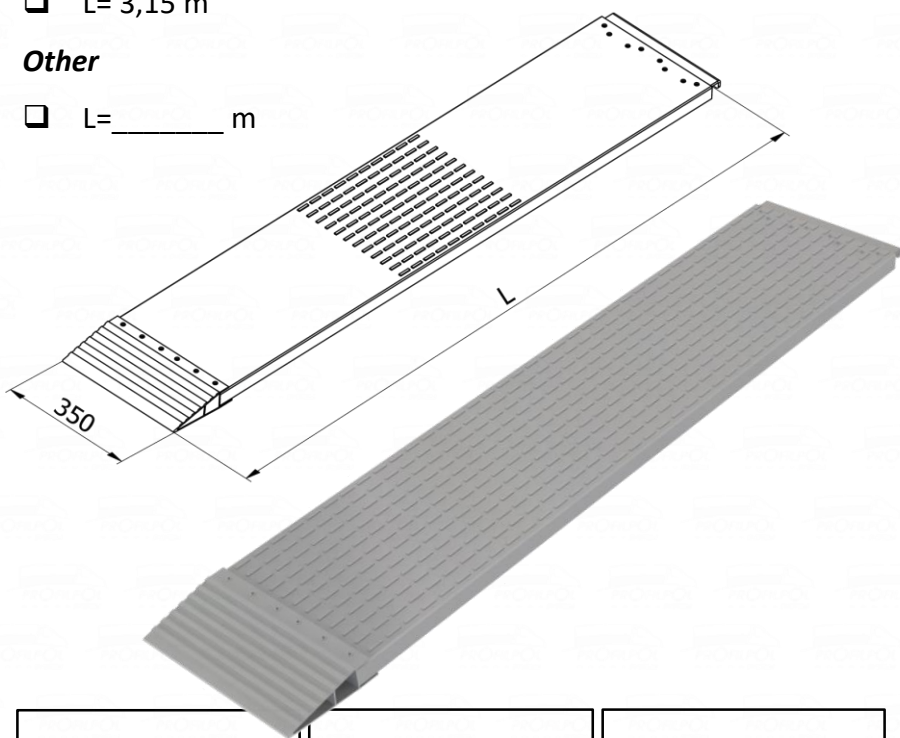
Klient:

Tel. No, E-Mail:



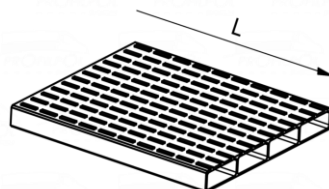
Standard length

- L = 2,5 m
- L = 3,15 m
- Other**
- L = _____ m

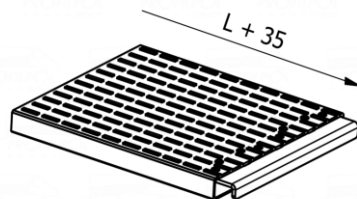


Support types:

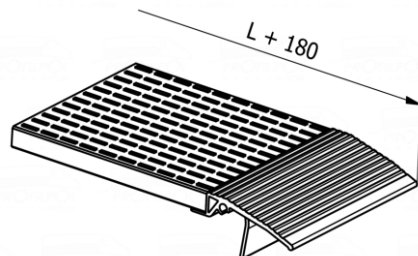
- TYP A (without support) - **standard**



- TYP B (mounting hook) - **option**



- TYP C (mounting dovetail) - **option**



| Designation | Length L | Weight kg/szt. |
|----------------------|----------|----------------|
| Aluminum Ramp 2,5 m | L=2,48 m | 20,7* kg |
| Aluminum Ramp 3,15 m | L=3,15 m | 23,8* kg |

Notes

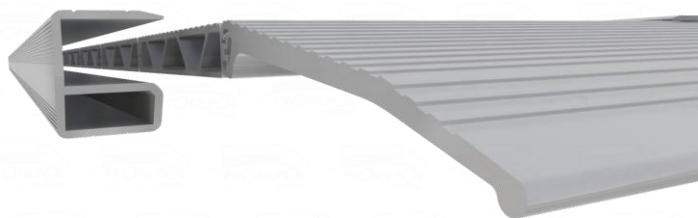
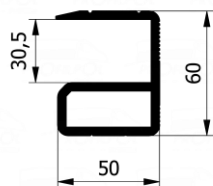



 www.profilpolsystem.pl
 sprzedaz@profilpolsystem.pl

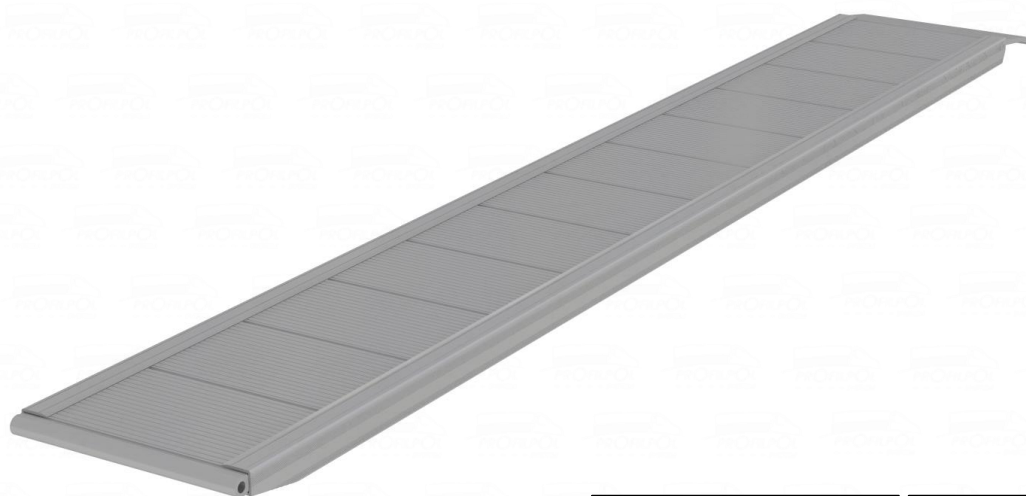
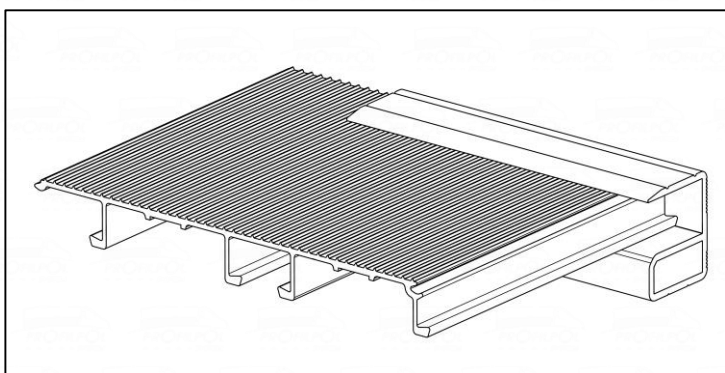
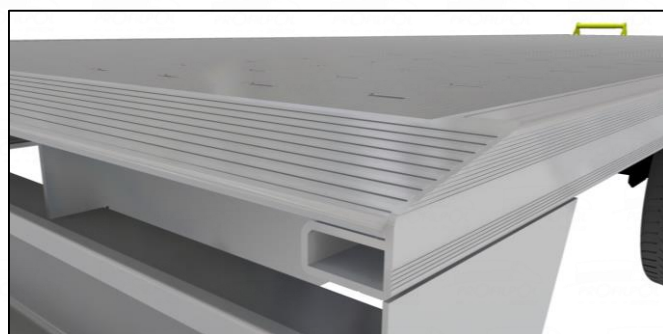
 **OLESNO**
 ul. Częstochowska 20
 46-300 Olesno

 **+48 883 335 994**

Ramps



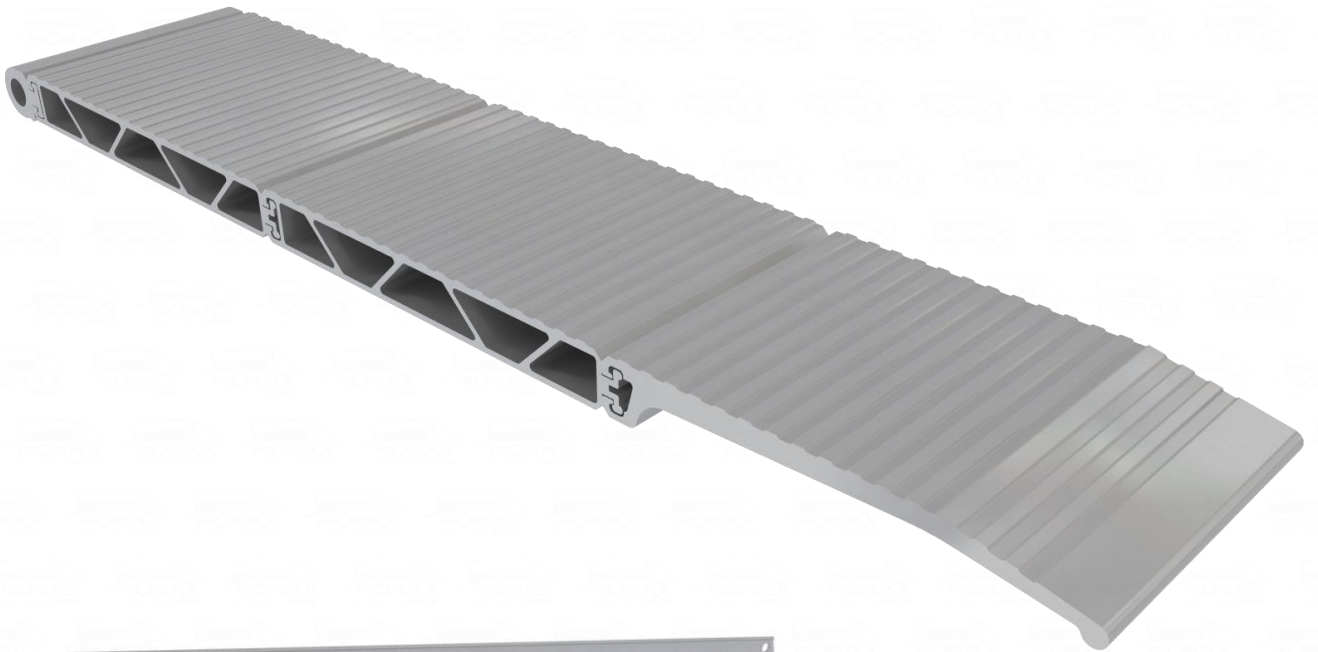
| Cat No | Designation | Weight |
|-------------------|----------------------|------------|
| 22.21.790 | Ramps edging profile | 2,163 kg/m |
| Material : | Aluminium | L - 5,2 m |



| Designation | Weight |
|-----------------|----------------|
| Heavy duty ramp | ca. 17 kg/m |
| Aluminium | L- up to 3,5 m |



14. Loading bridges



940 mm bridge s. 144

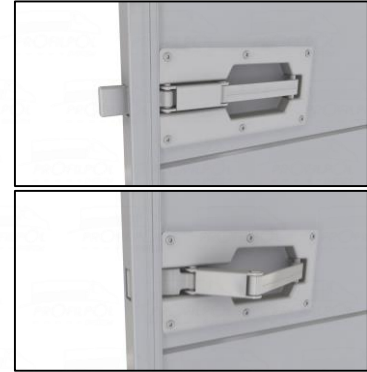
Loading bridges s. 145

Bridge profiles s. 146

Locks s. 147

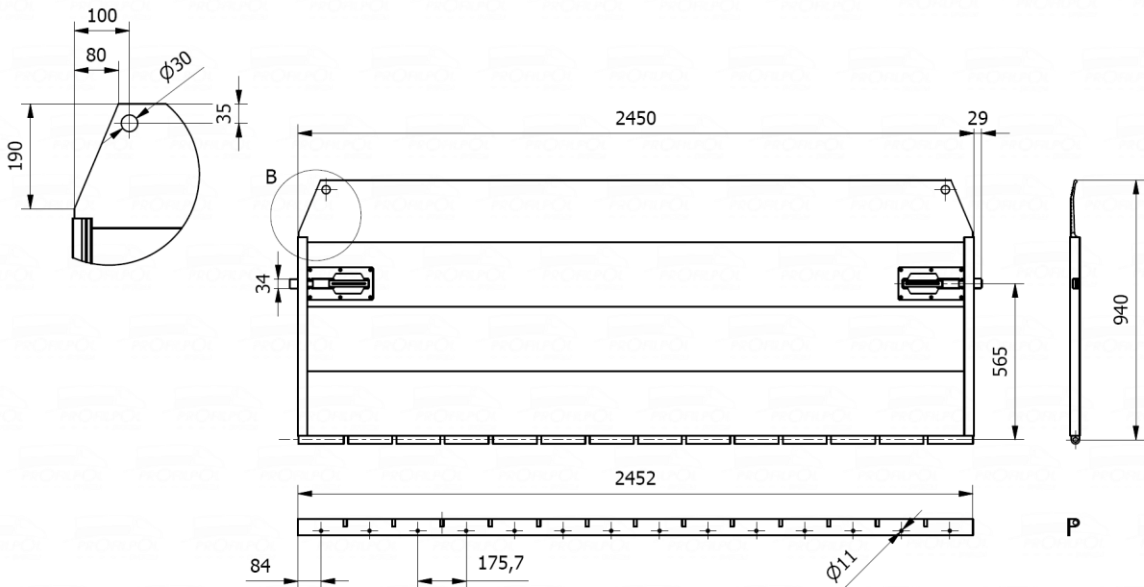
Order form s. 148

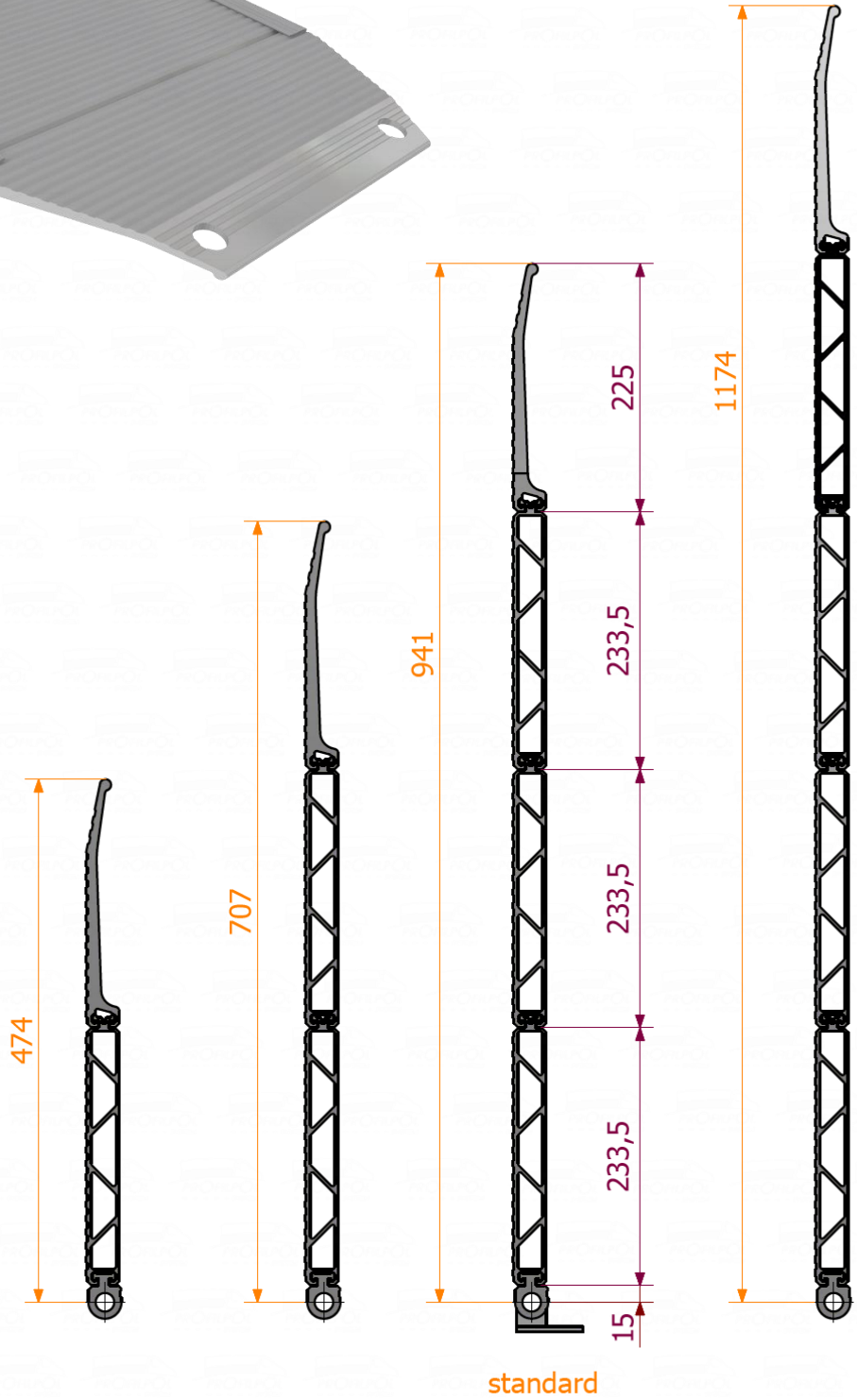
940 mm bridge



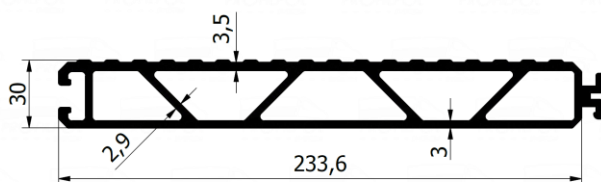
| Cat No | Designation | Weight |
|--------------|----------------------------|--------|
| 26T940245030 | Loading bridge 940x2450x30 | 75 kg |
| Material: | Aluminum | Pc. |

Complete, assembled bridge with hinges, locks and mounting plates!





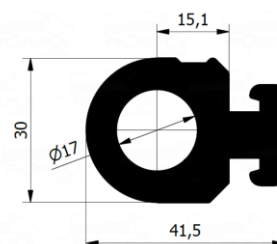
Bridge profiles



| Cat No | Designation | Weight |
|------------|-----------------------|------------|
| 22.21.5596 | Middle bridge profile | 6,247 kg/m |
| Material: | Aluminum | L- 5 m |



| Cat No | Designation | Weight |
|------------|-----------------------|------------|
| 22.21.0679 | Ending bridge profile | 6,468 kg/m |
| Material: | Aluminum | L- 5 m |



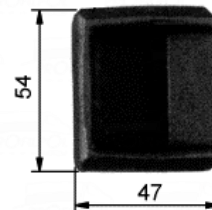
| Cat No | Designation | Weight |
|------------|----------------------|------------|
| 22.21.1679 | Bridge hinge profile | 1,959 kg/m |
| Material: | Aluminum | L- 5 m |

Zamknięcia trapów



| Cat No | Designation | Weight |
|-----------|-------------|---------|
| 50ZB 681S | Lock 681 S | 1,60 kg |
| Material: | Steel/ZN | Pc. |

| Cat No | Designation | Weight |
|------------|-------------------|---------|
| 50KZB 681S | Lock socket 681 S | 0,21 kg |
| Material: | Steel/ZN | Pc. |



| Cat No | Designation | Weight |
|------------|-------------|---------|
| 50ZZB 681N | Lock 681N | 1,01 kg |
| Material: | Steel/ZN | Pc. |

| Cat No | Designation | Weight |
|------------|-------------------|---------|
| 50KZB 681S | Lock socket 681 N | 0,16 kg |
| Material: | Steel/ZN | Pc. |

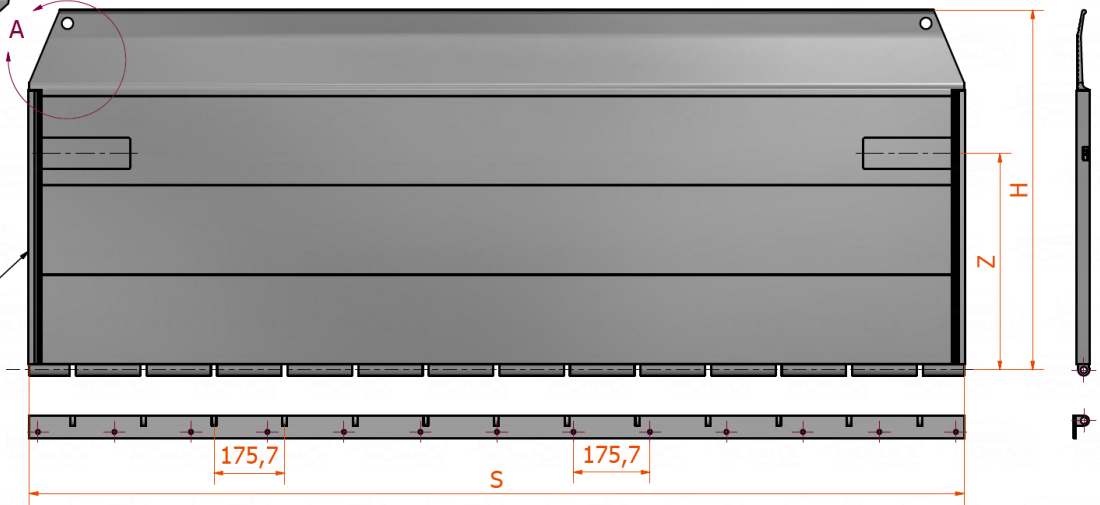
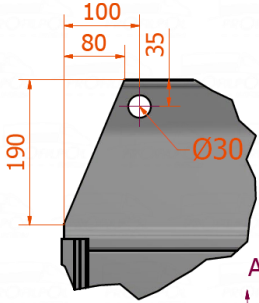
**Company,
contact**

Order No.

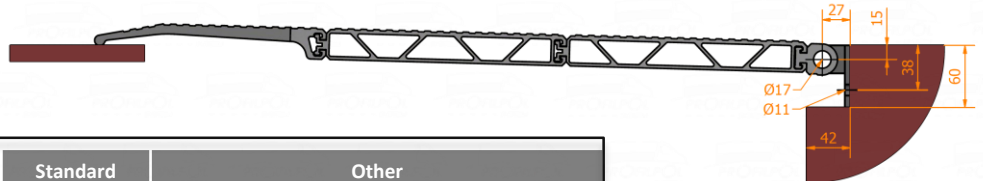
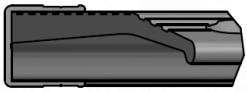
order completion date

No of pieces

Detail A



Edging

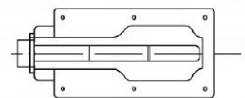


| | Standard | Other | | |
|------------------------|-------------------------------|------------------------------|------------------------------|-------------------------------|
| Leghth H | <input type="checkbox"/> 940 | <input type="checkbox"/> 474 | <input type="checkbox"/> 707 | <input type="checkbox"/> 1174 |
| Hight of the lockers Z | 565 | 90 | 332 | 799 |
| Width S | <input type="checkbox"/> 2450 | | | |

Edging

YES NO

Lockers



Notes







www.profilpolsystem.pl



sprzedaz@profilpolsystem.pl



Office:

+48 883 335 994



OLESNO

ul. Częstochowska 20
46-300 Olesno